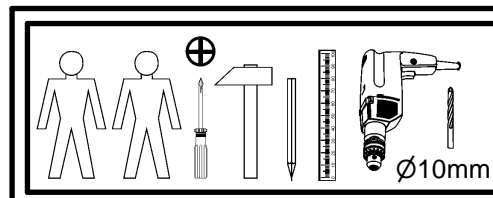
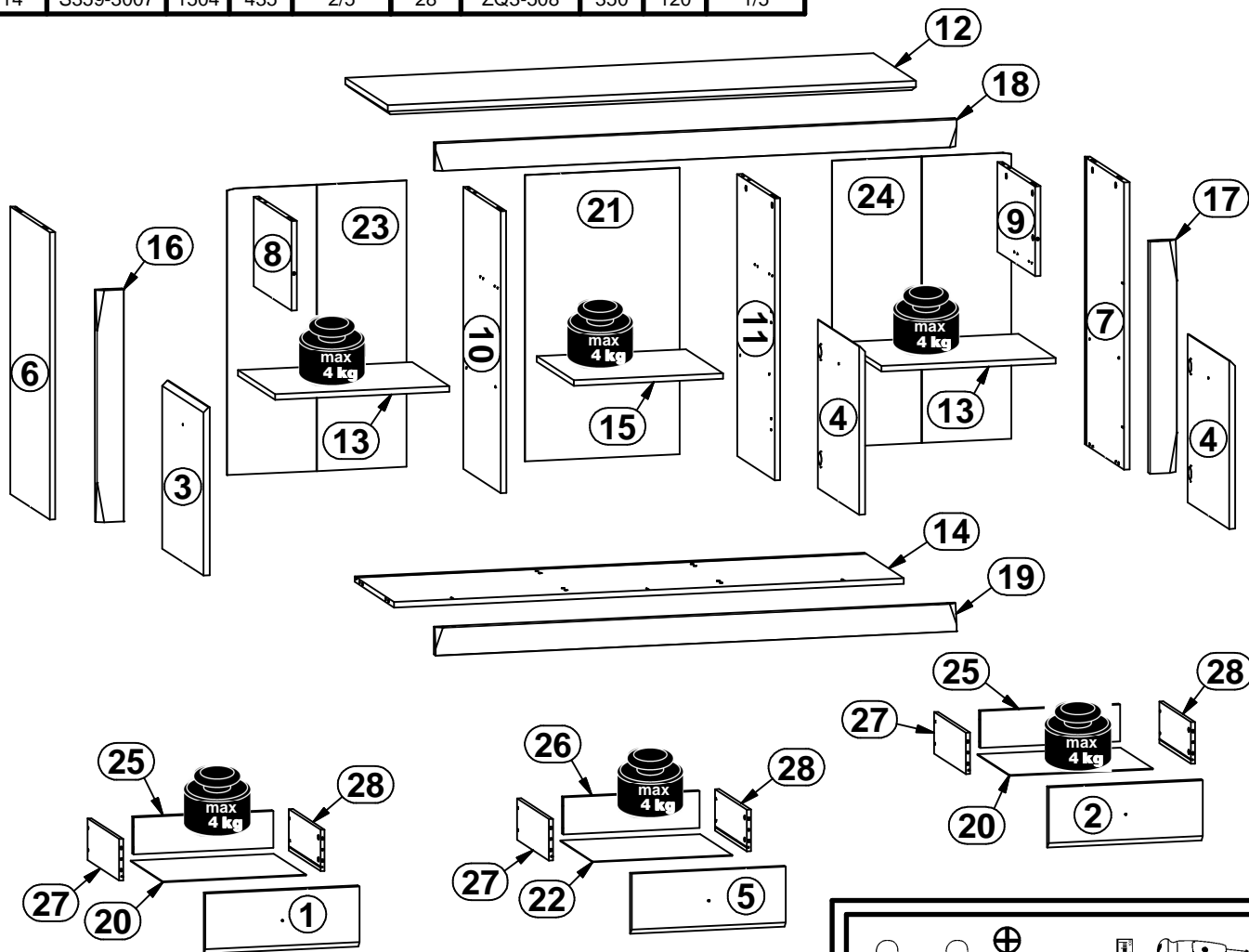
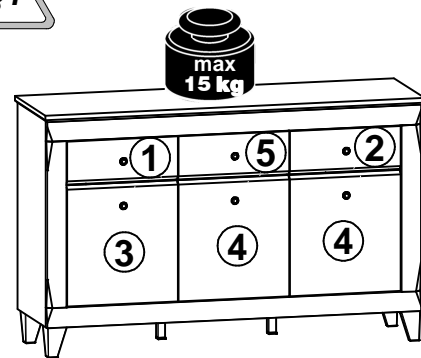
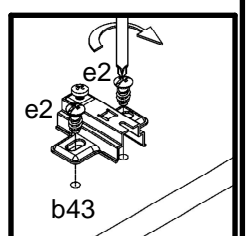
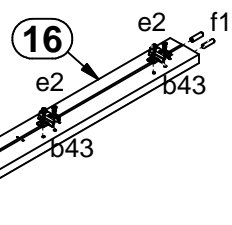
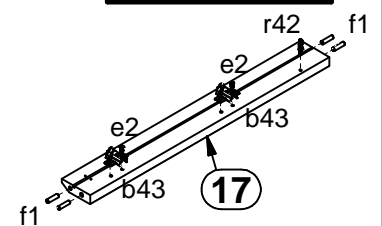
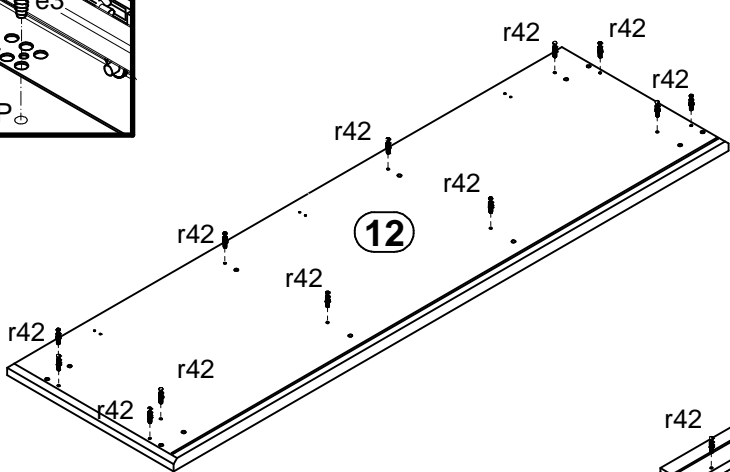
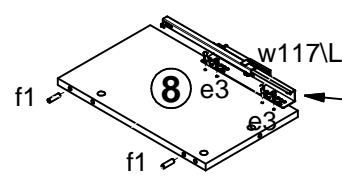
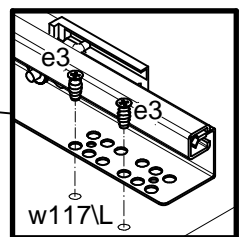
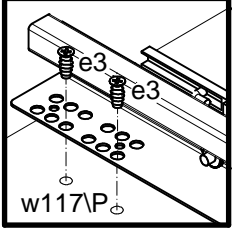
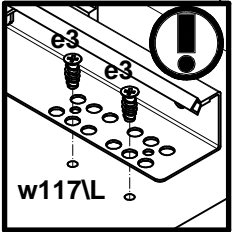
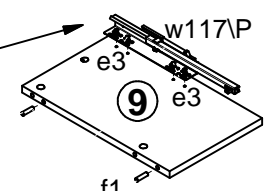
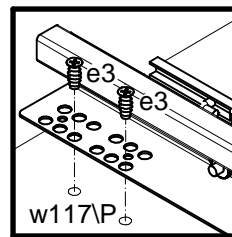
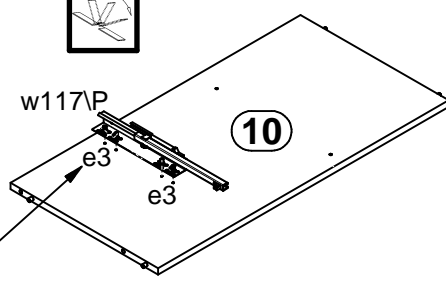
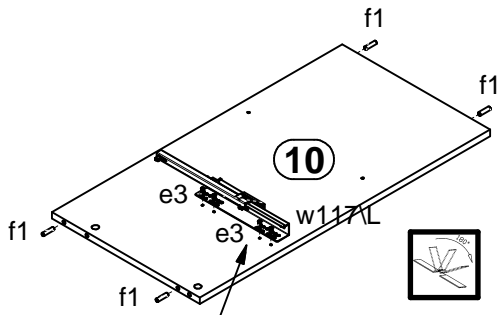
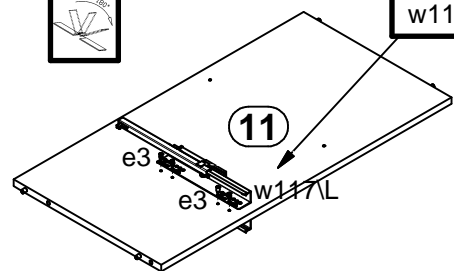
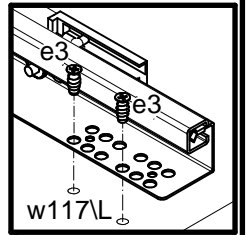
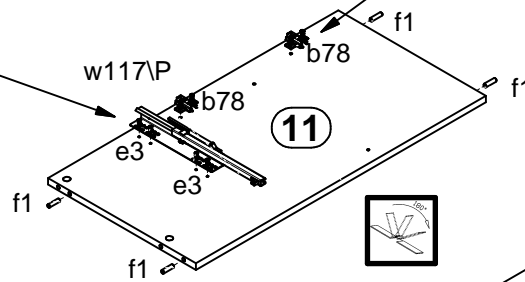
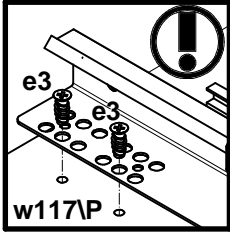
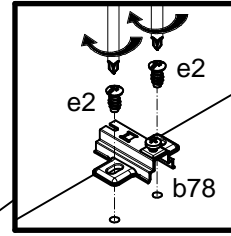
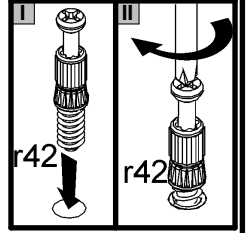
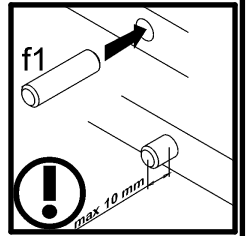
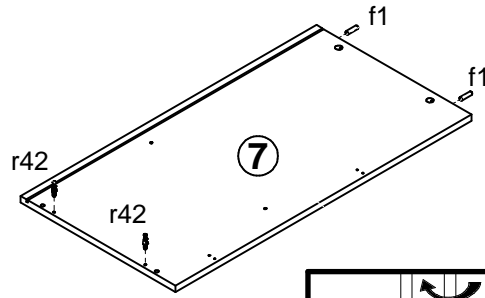
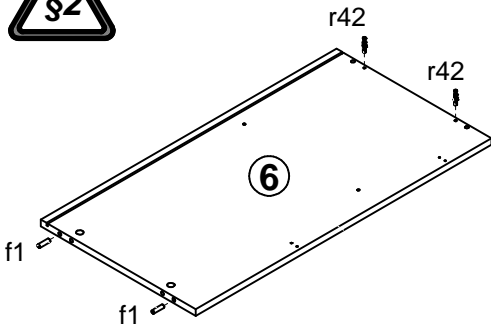


A	B	C	D	A	B	C	D		
1	S359-0007	455	176	4/5	15	S359-3008	441	409	2/5
2	S359-0008	455	176	4/5	16	S359-5007	671	80	3/5
3	S359-0009	486	455	4/5	17	S359-5010	671	80	3/5
4	S359-0010	486	455	4/5	18	S359-5011	1537	80	3/5
5	S359-0011	455	176	4/5	19	S359-5012	1537	80	3/5
6	S359-1009	831	435	1/5	20	S359-9002	422	355	2/5
7	S359-1010	831	435	1/5	21	S359-9003	828	456	2/5
8	S359-1011	259	415	1/5	22	S359-9004	412	355	2/5
9	S359-1012	259	415	1/5	23	S359-9303	828	529	1/5
10	S359-1013	815	415	1/5	24	S359-9304	828	529	1/5
11	S359-1014	815	415	1/5	25	ZQ2-1513	412	107	1/5
12	S359-2004	1558	468	2/5	26	ZQ2-1514	402	107	1/5
13	S359-3006	514	409	2/5	27	ZQ3-507	350	120	1/5
14	S359-3007	1504	435	2/5	28	ZQ3-508	350	120	1/5

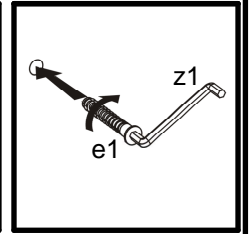
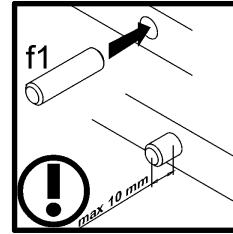
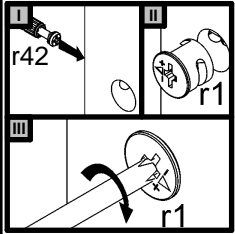
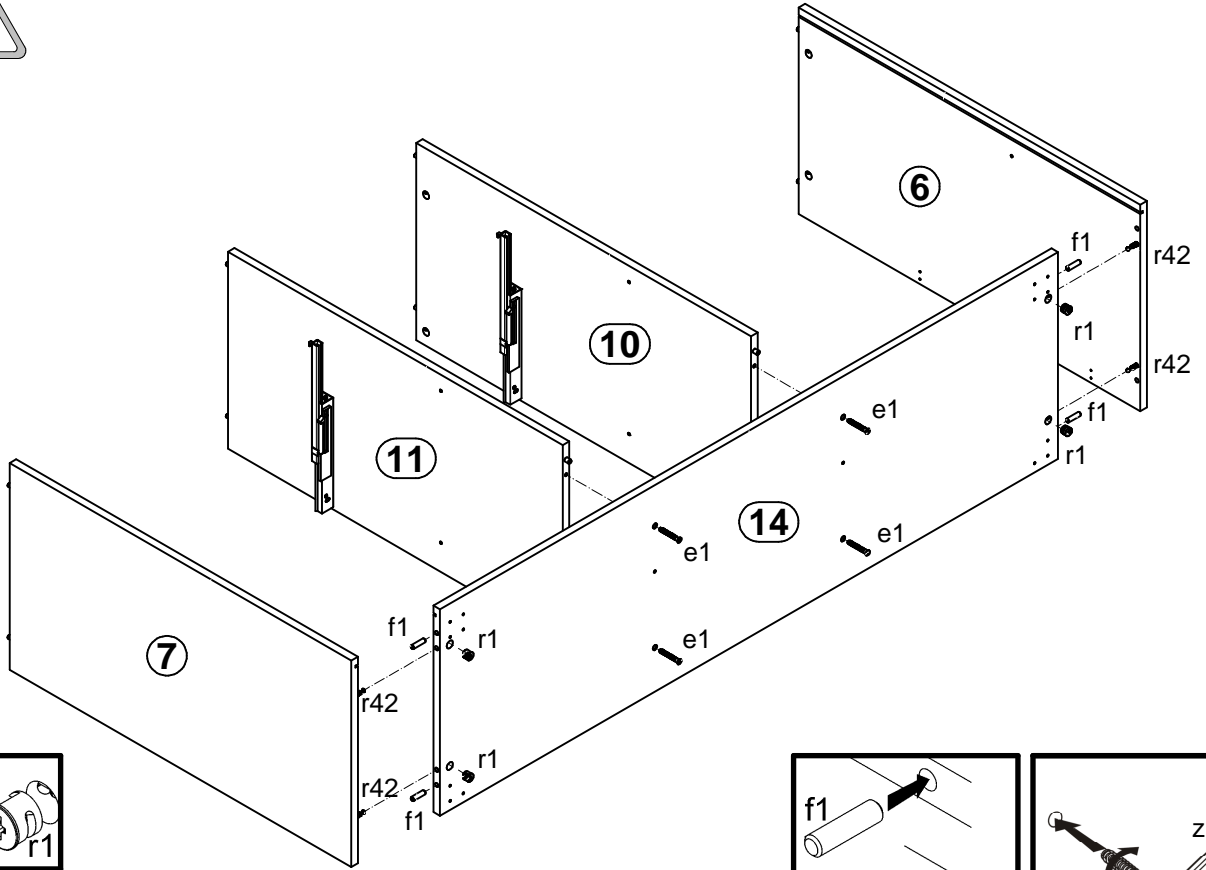


4x a132	3x a133	2x a159	4x b43	2x b78	6x c415	12x d1	10x d37	4x e1
14x e2	24x e3	12x e58	28x f1	12x f25	6x f9	6x j30	4x k125	2x k3813
2x k3817	18x l2	8x n108	60x p38	12x p51	8x p55	18x r1	12x r15	30x r42
3x w117L	3x w117P					1x z1	1x n261	1x p38

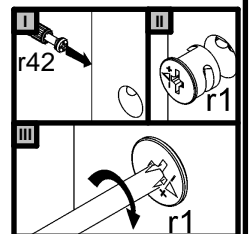
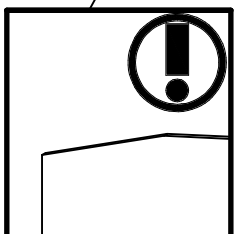
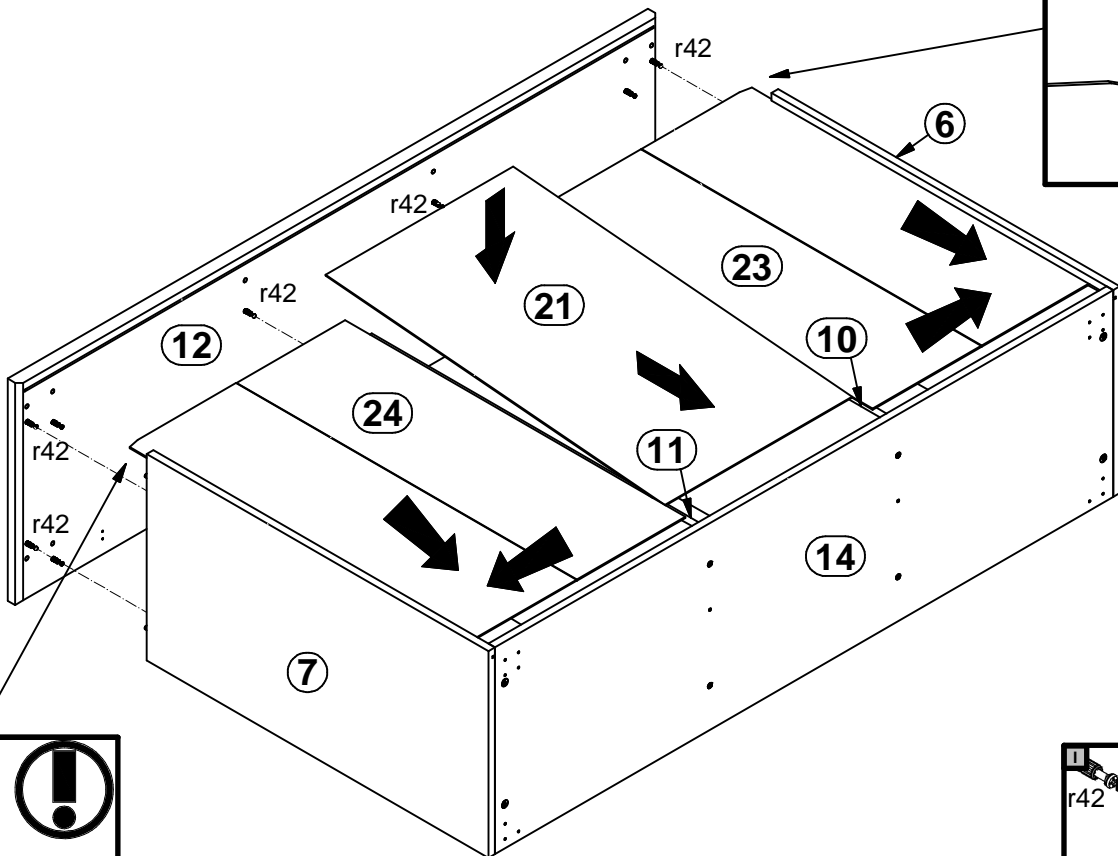
1 



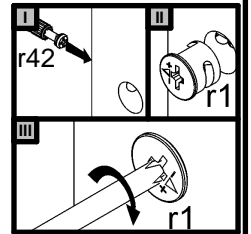
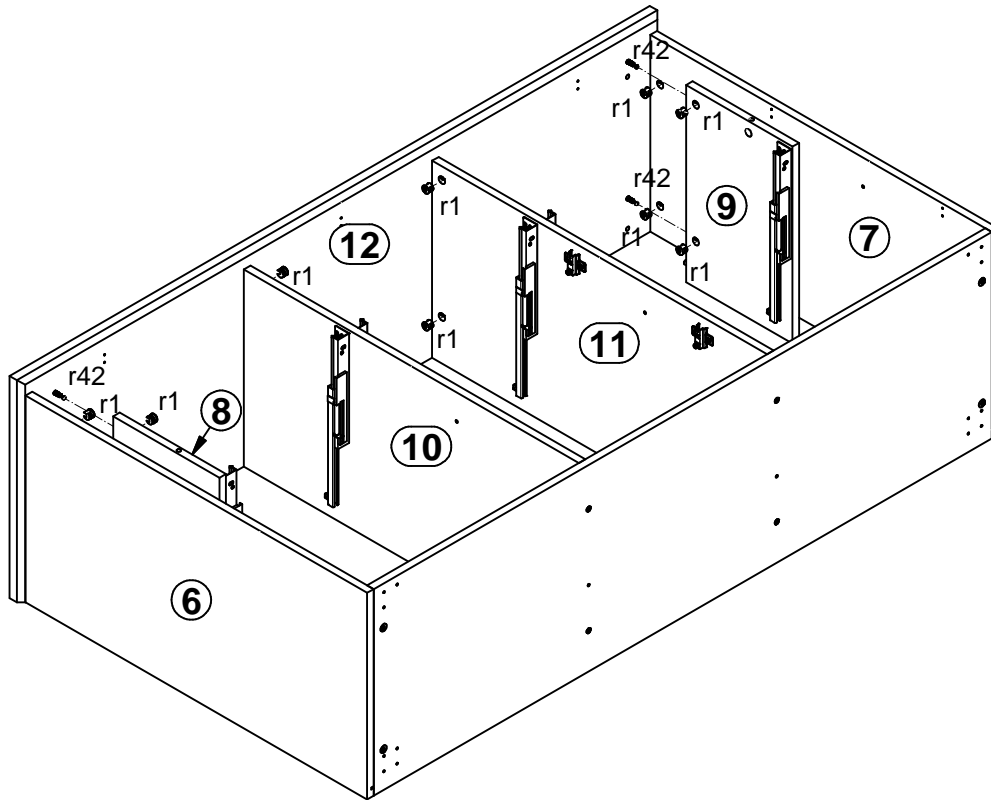
2



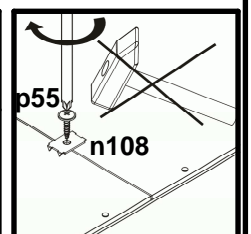
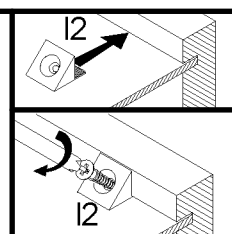
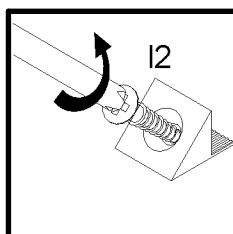
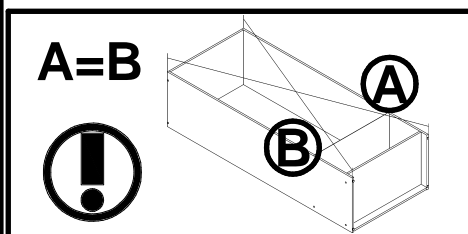
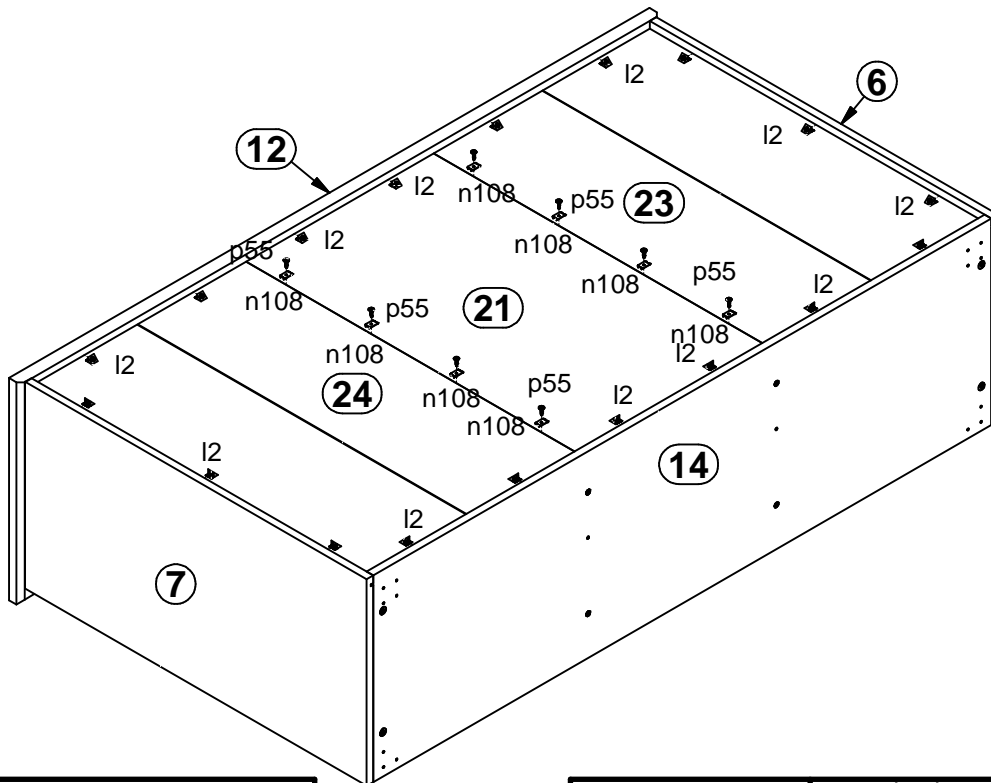
3



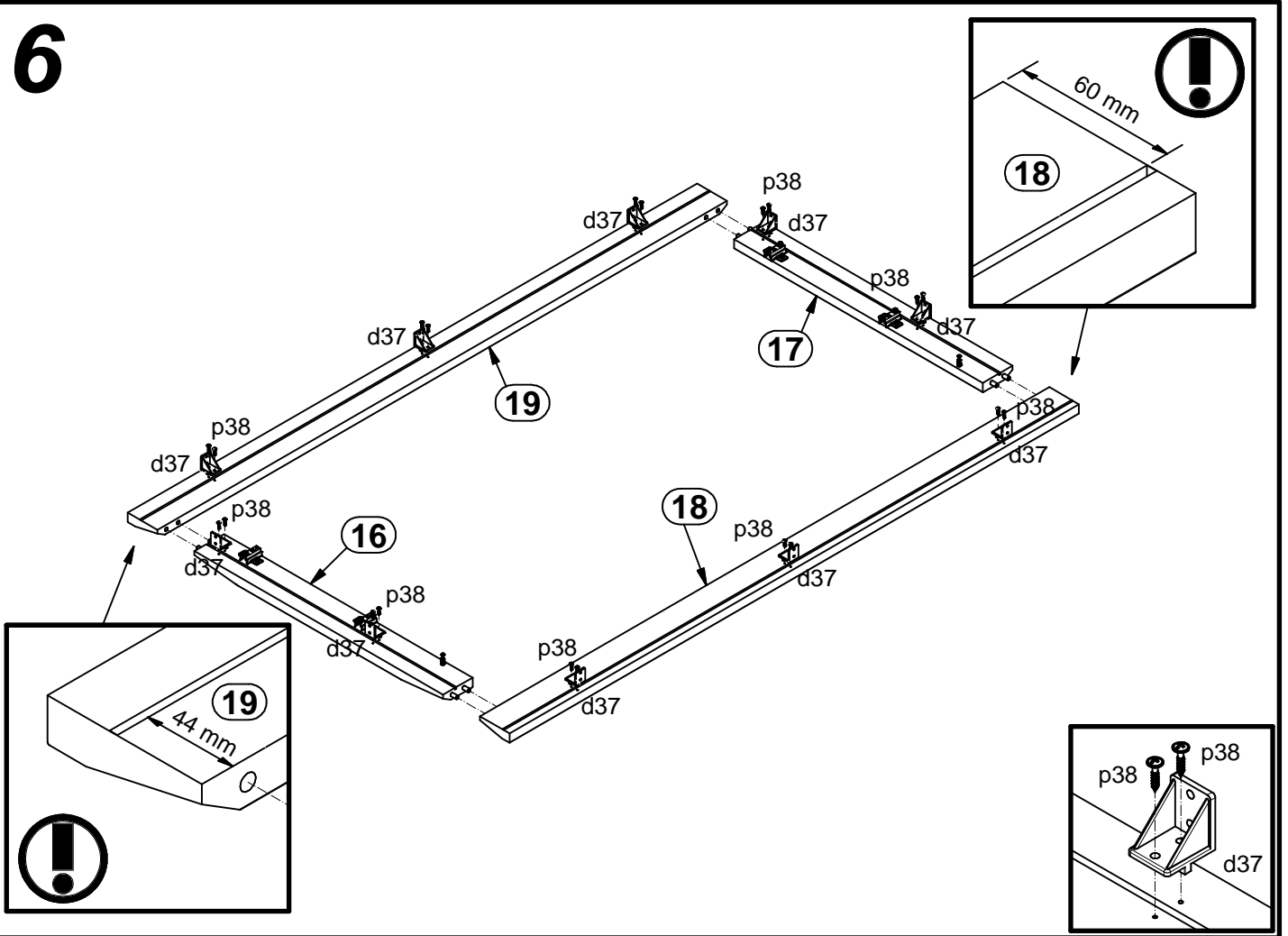
4



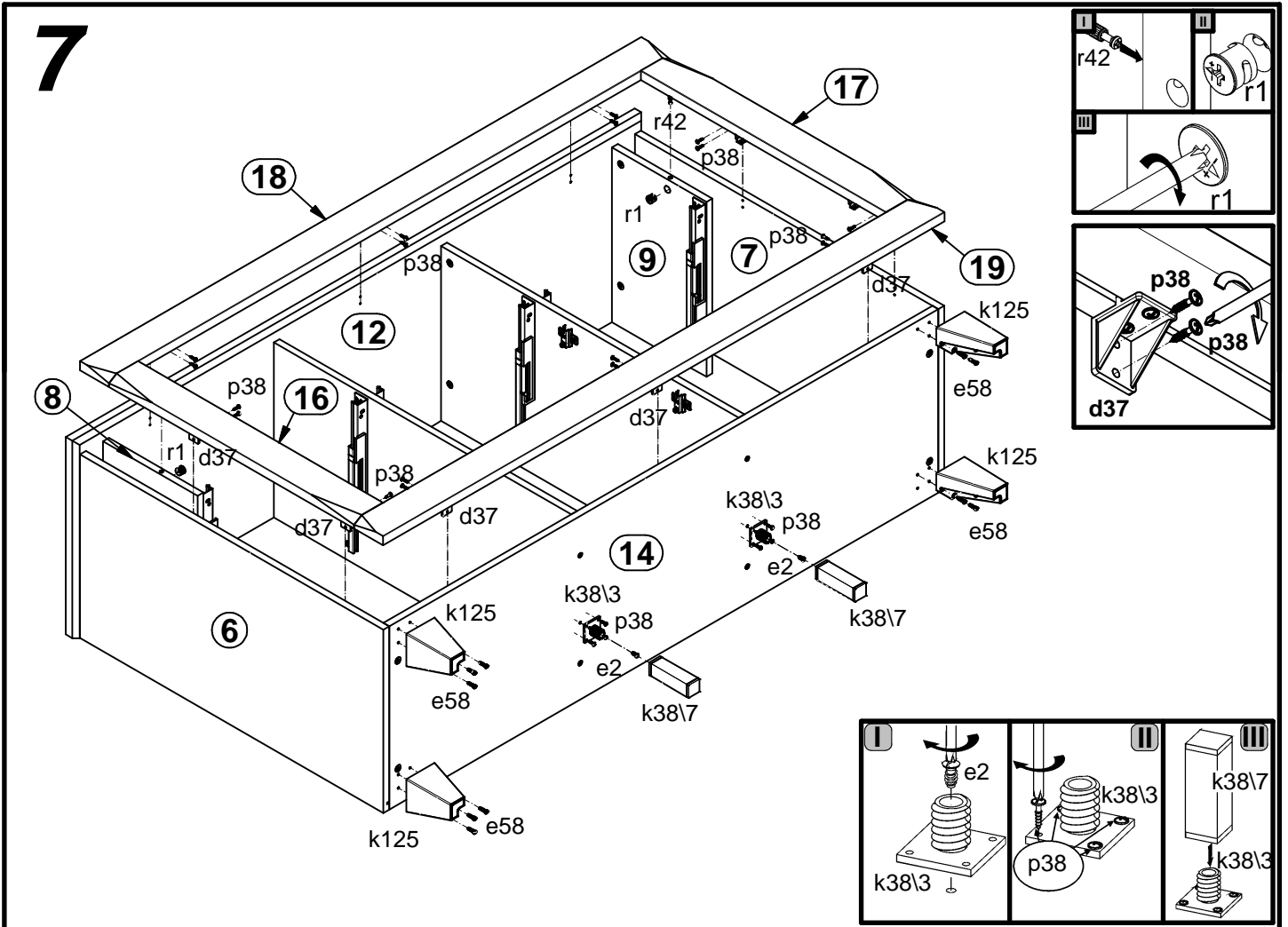
5



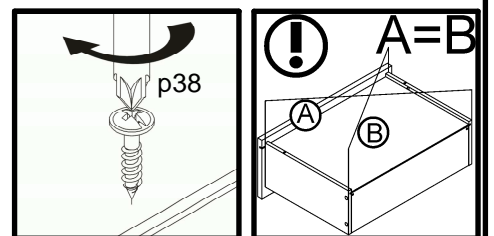
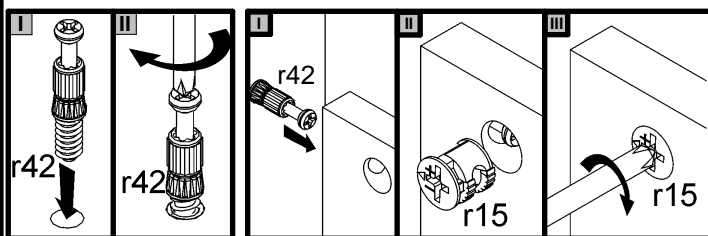
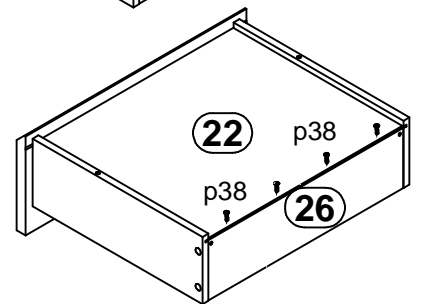
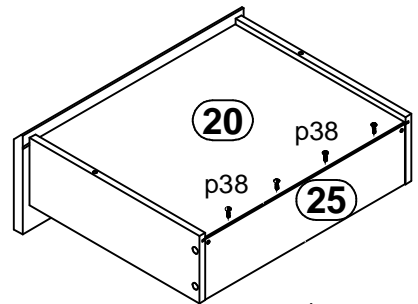
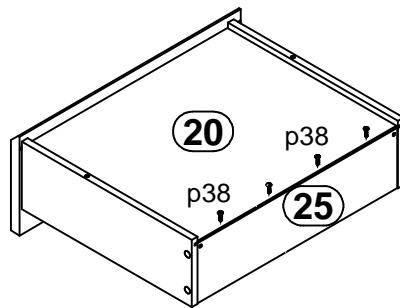
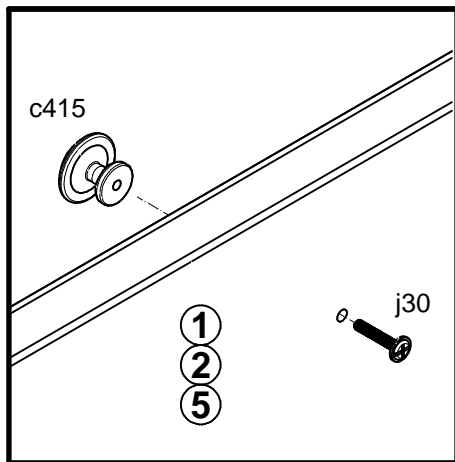
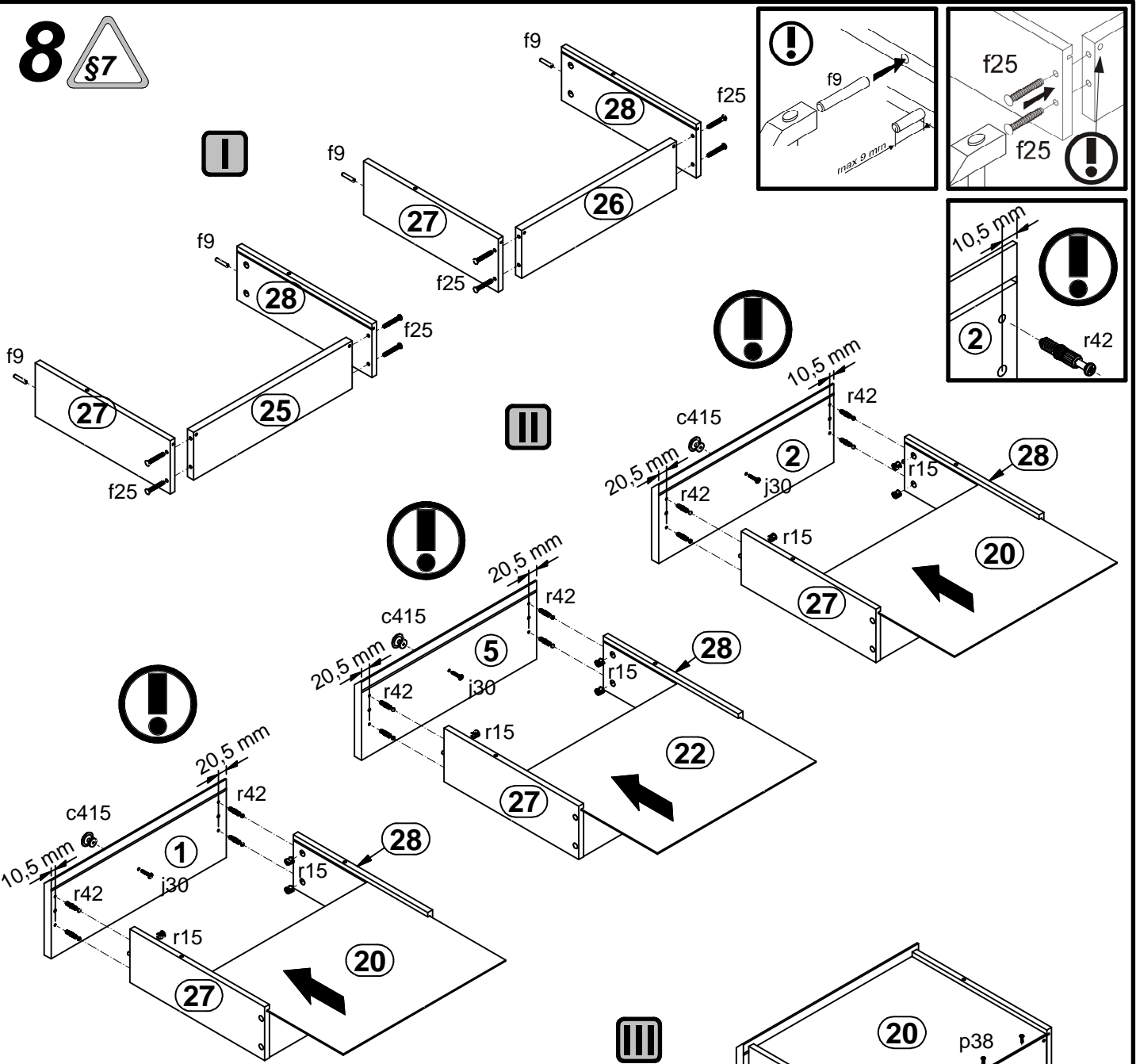
6



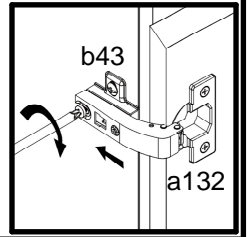
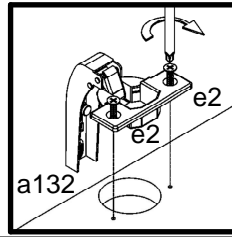
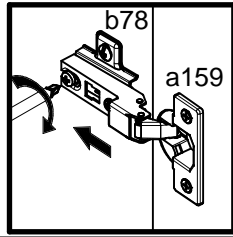
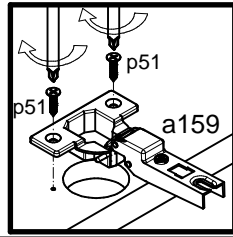
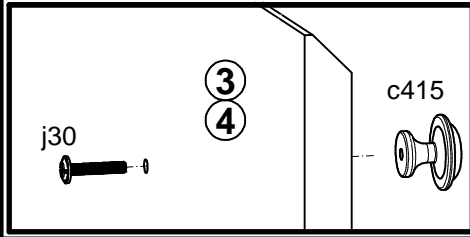
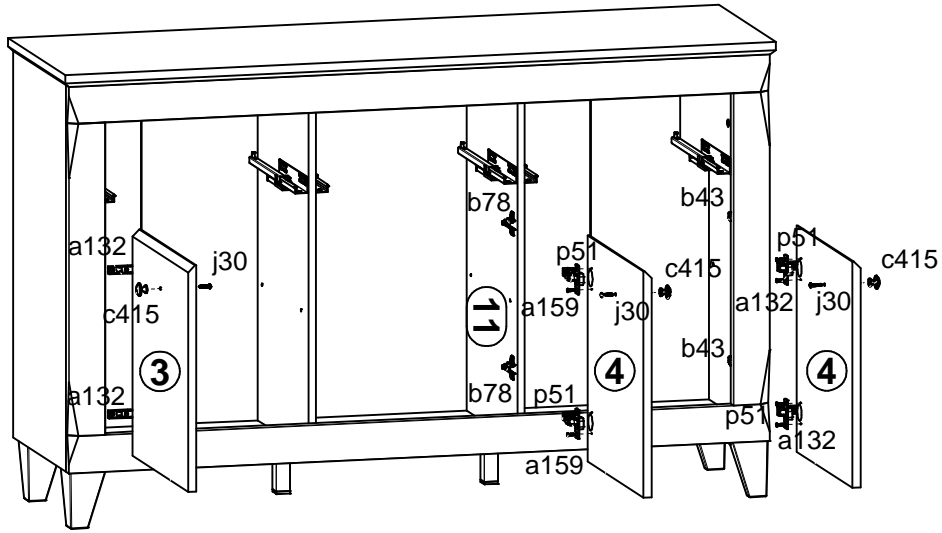
7



8



9



10

