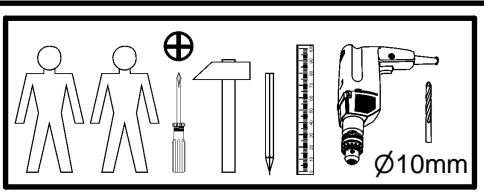
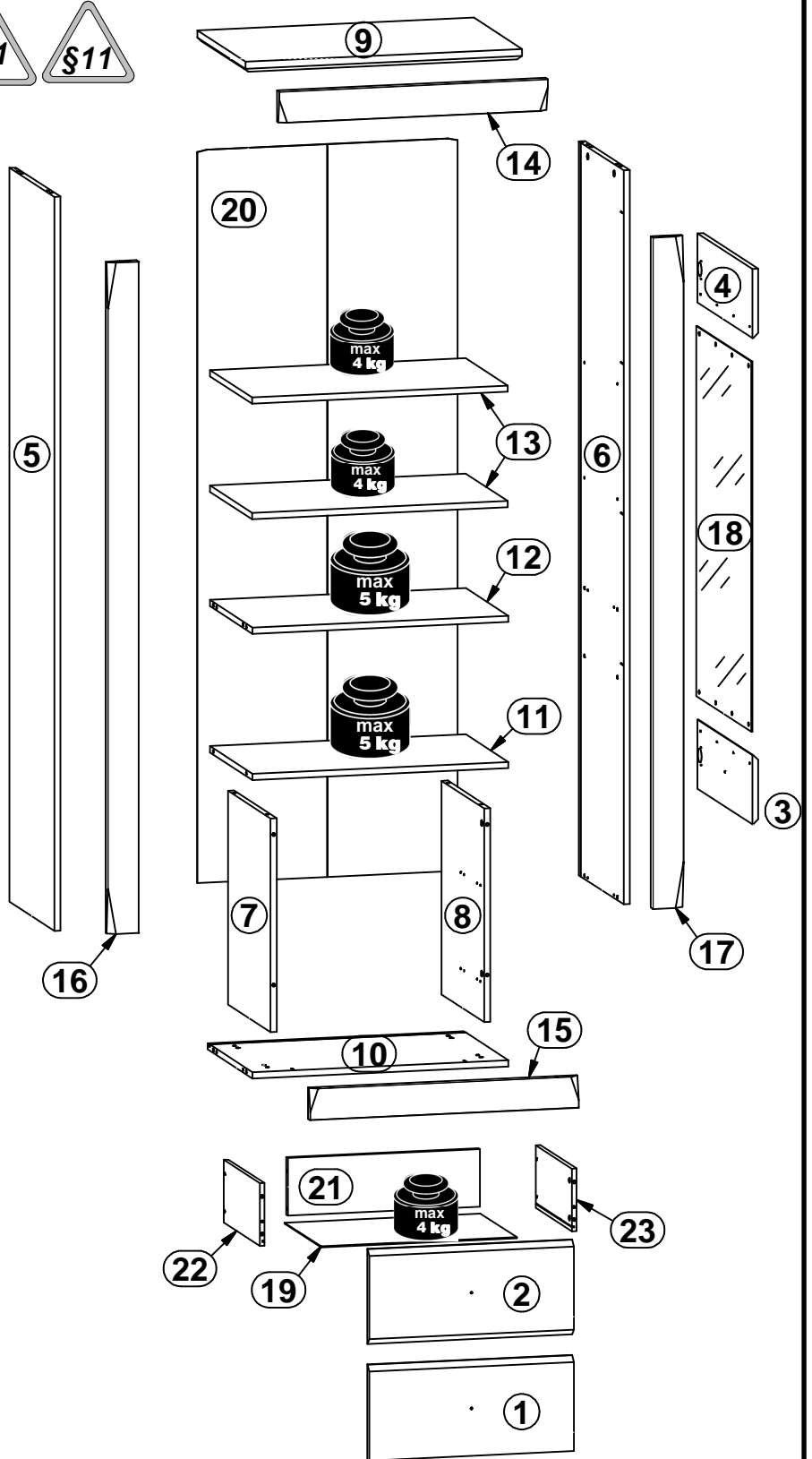
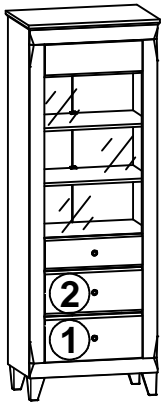
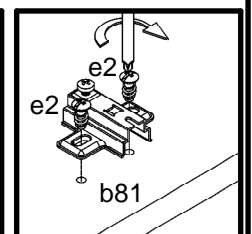
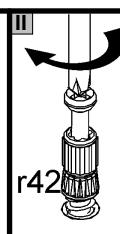
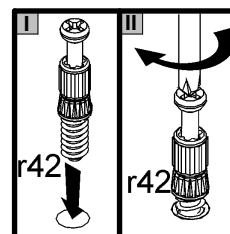
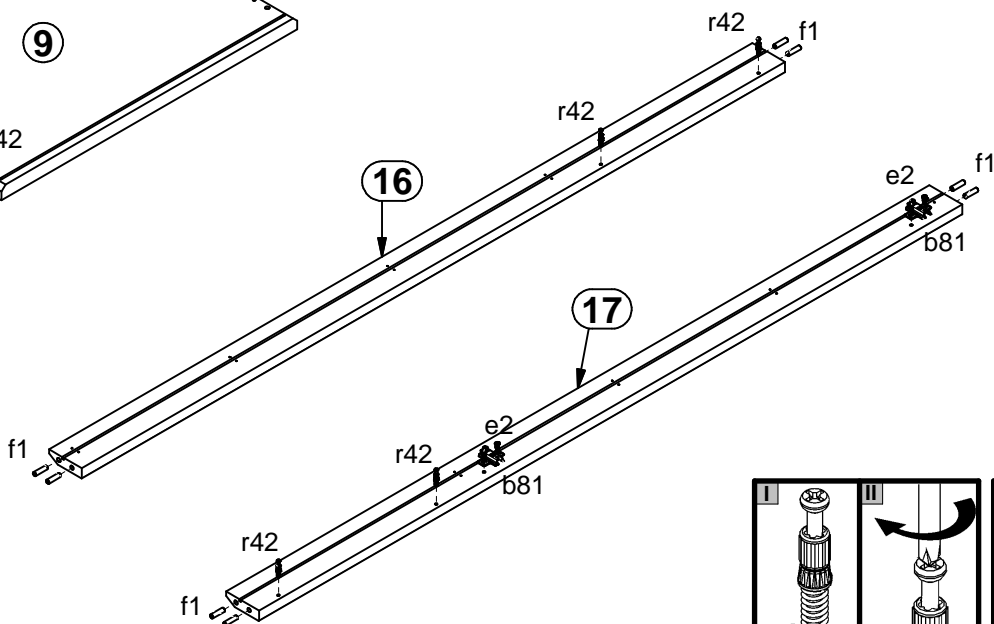
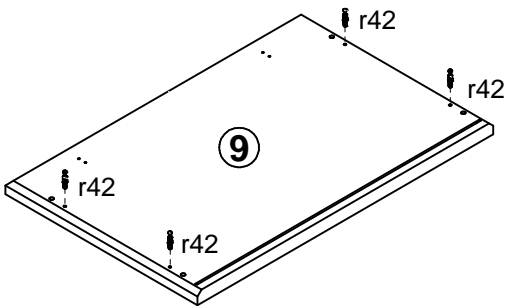
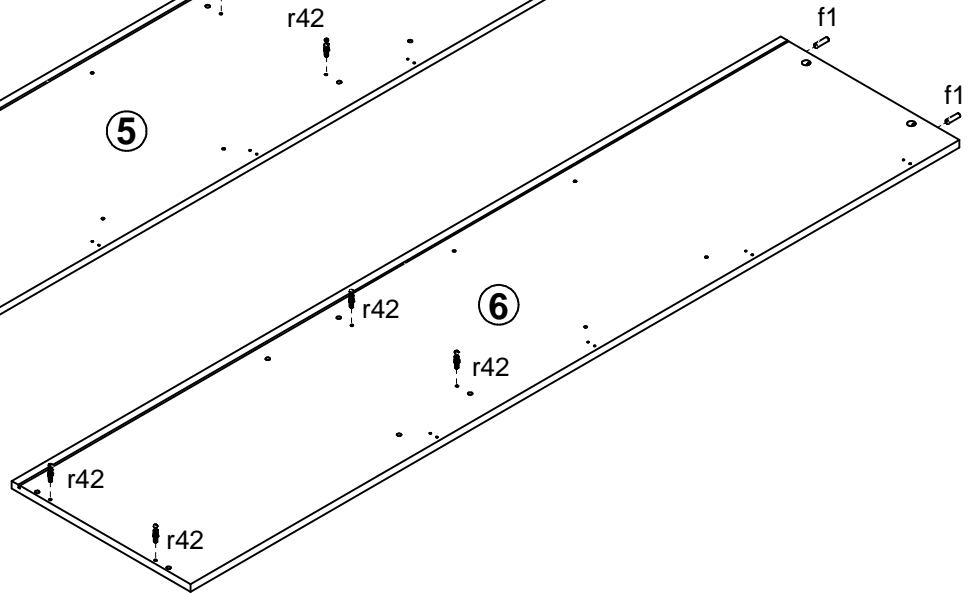
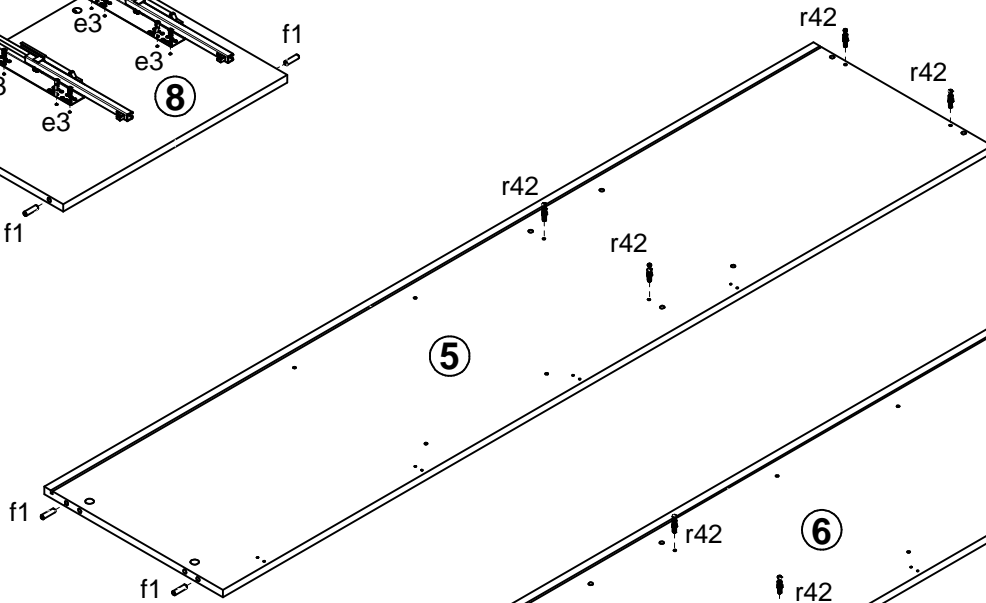
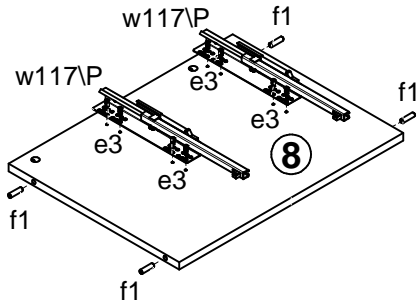
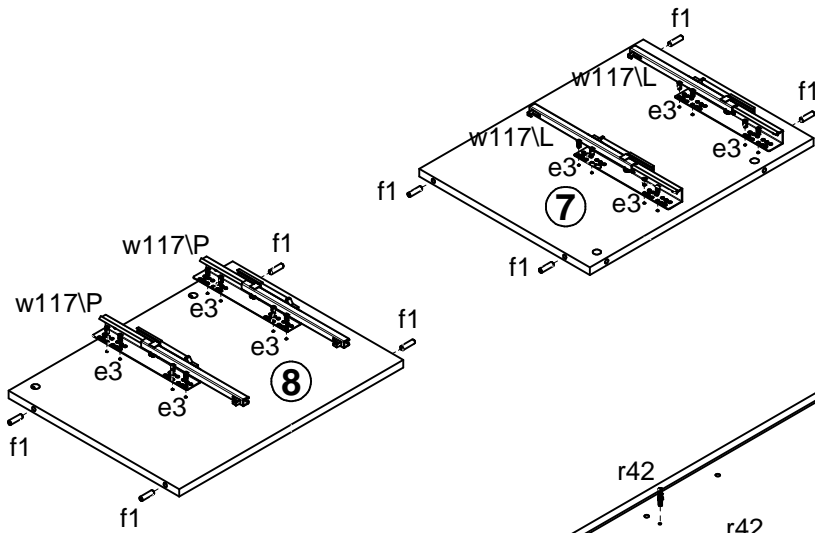
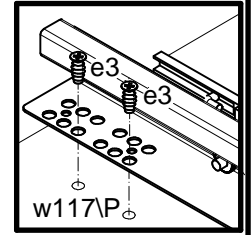
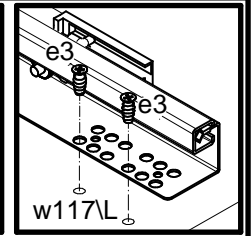
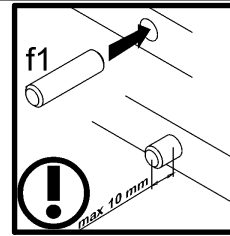


A	B	C	D	
1	S359-0001	533	242	5/7
2	S359-0002	533	242	5/7
3	S359-0005	533	176	6/7
4	S359-0006	533	176	6/7
5	S359-1005	1872	435	1/7
6	S359-1006	1872	435	1/7
7	S359-1007	545	415	1/7
8	S359-1008	545	415	1/7
9	S359-2002	720	468	2/7
10	S359-3001	666	435	1/7
11	S359-3002	666	415	2/7
12	S359-3003	666	415	2/7
13	S359-3004	665	409	2/7
14	S359-5002	699	80	3/7
15	S359-5003	699	80	3/7
16	S359-5004	1712	80	3/7
17	S359-5005	1712	80	3/7
18	S359-5006	944	533	4/7
19	S359-9001	510	355	2/7
20	S359-9302	1869	677	1/7
21	ZQ2-1511	500	147	2/7
22	ZQ3-503	350	160	2/7
23	ZQ3-504	350	160	2/7

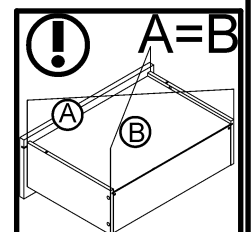
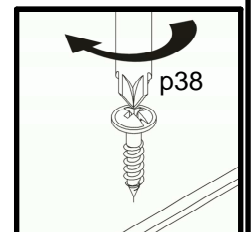
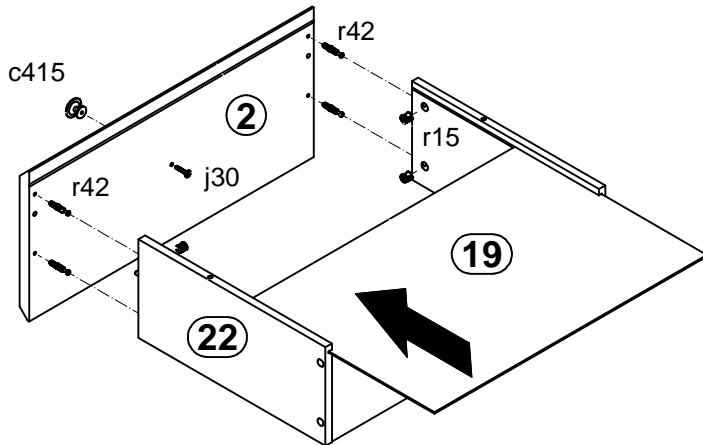
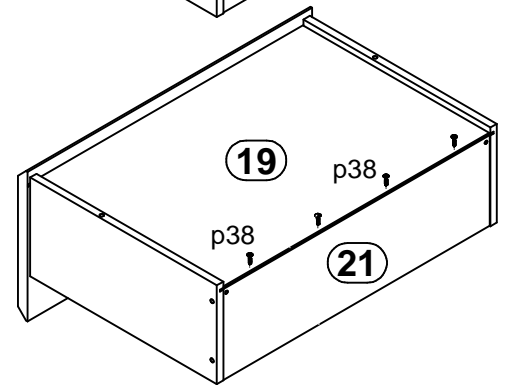
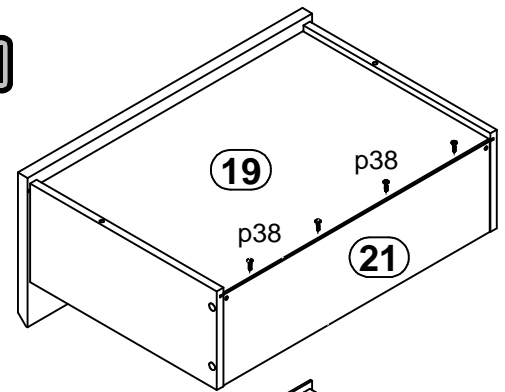
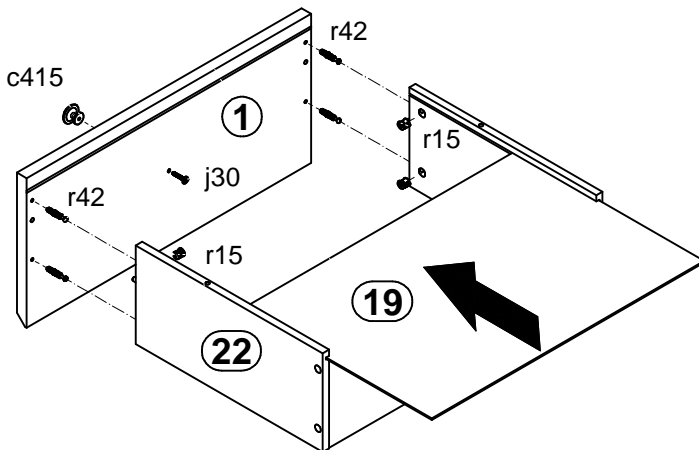
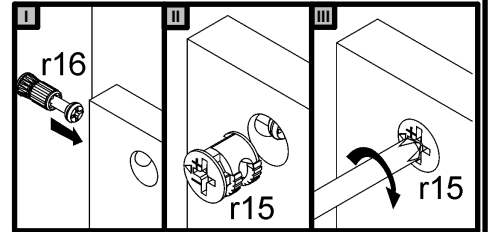
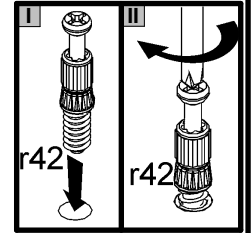
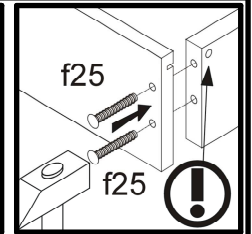
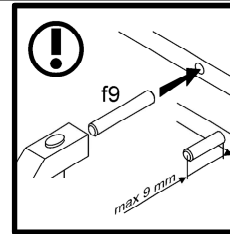
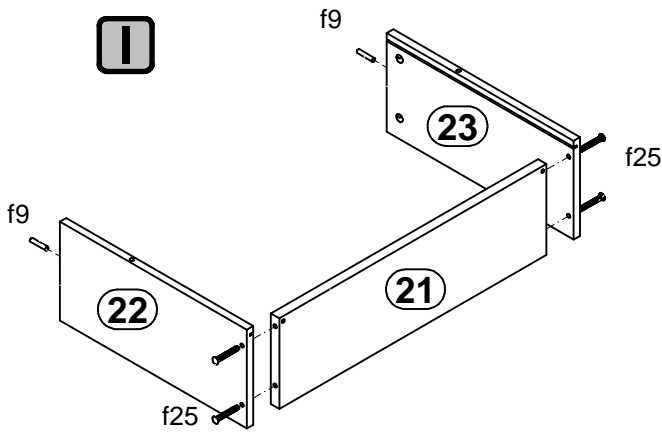


2x  a132	1x  a133	2x  b81	3x  c415	8x  d1	12x  d37	4x  e1	4x  e2	16x  e3
8x  e41	12x  e58	32x  f1	4x  f9	8x  f25	1x  f35	2x  j30	1x  j59	4x  k125
10x  l1	14x  l2	1x  n14/L2	8x  o54	1x  p17	58x  p38	4x  p51	16x  r1	8x  r15
24x  r42	2x  W117/L	2x  W117/P	1x  o70/5	2x  o114	6x  s68	1x  z1		

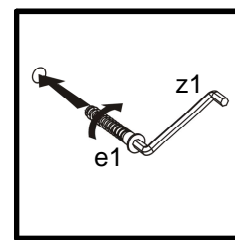
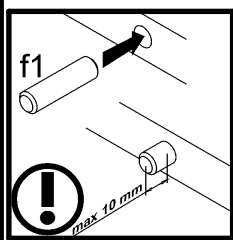
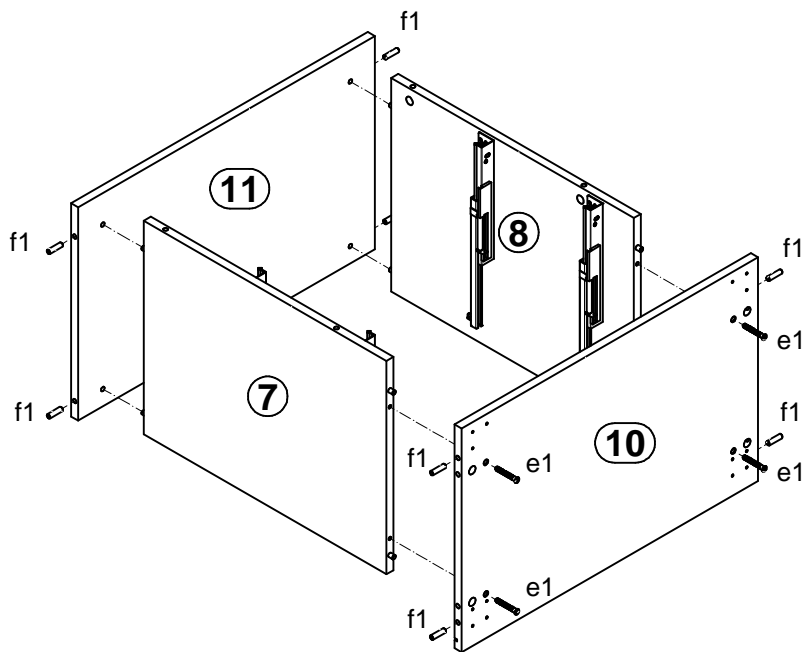
1  



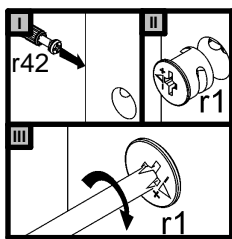
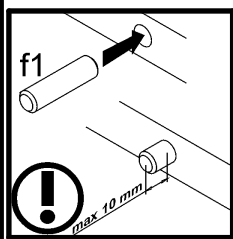
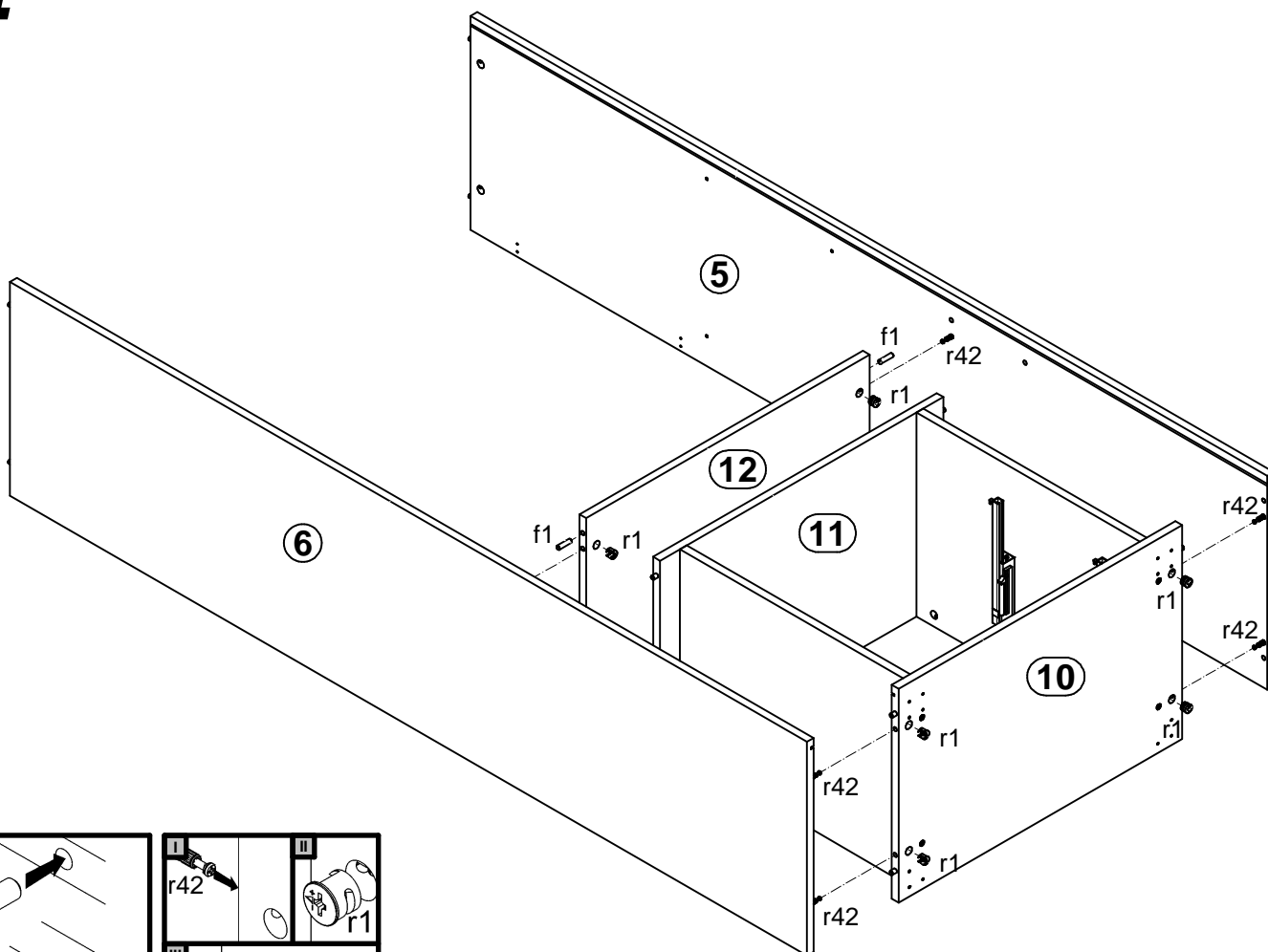
# 2



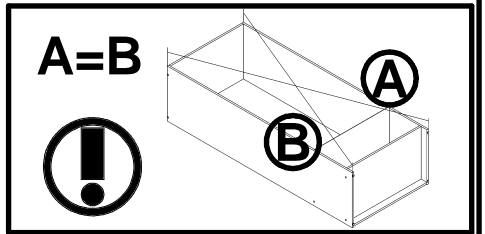
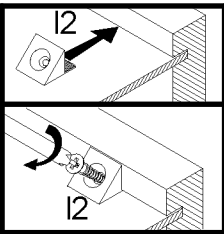
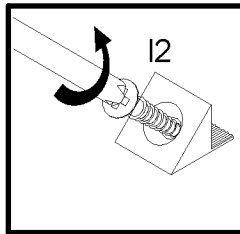
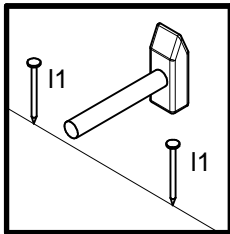
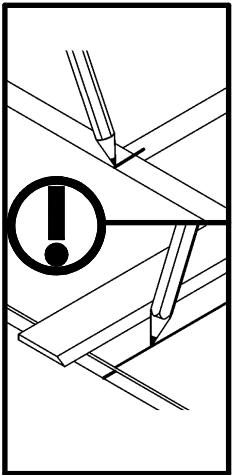
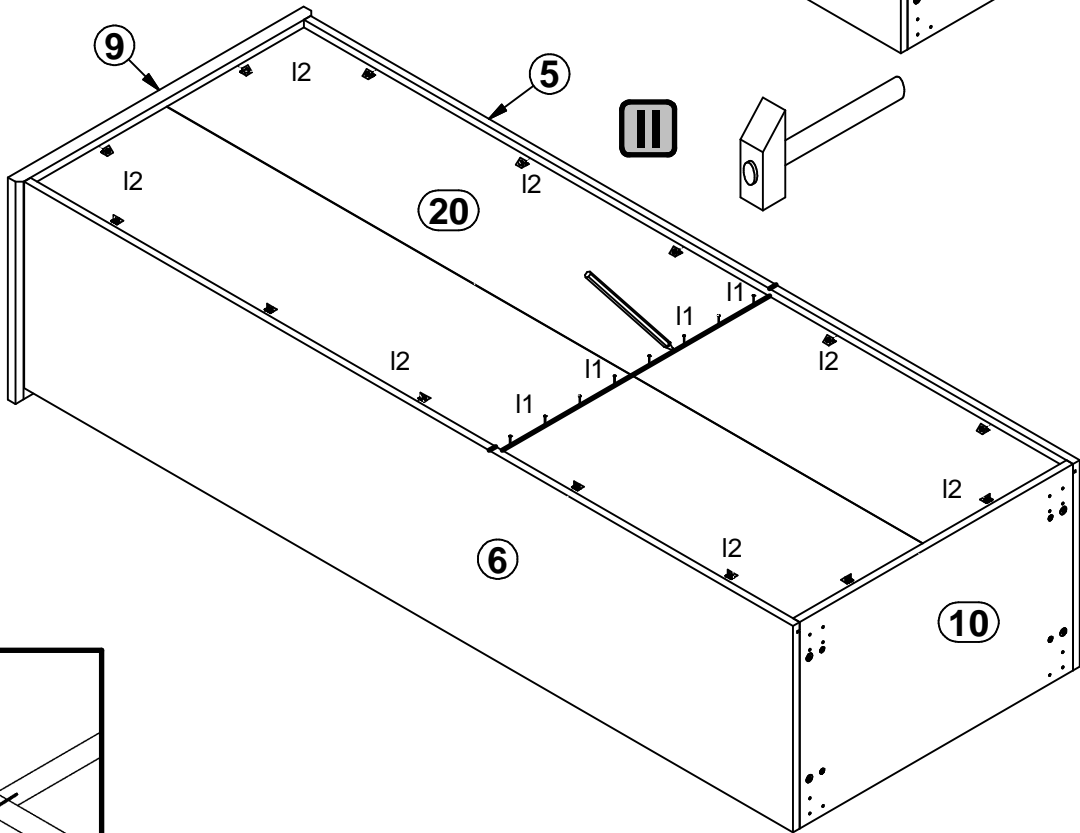
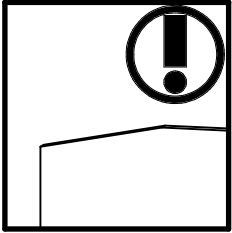
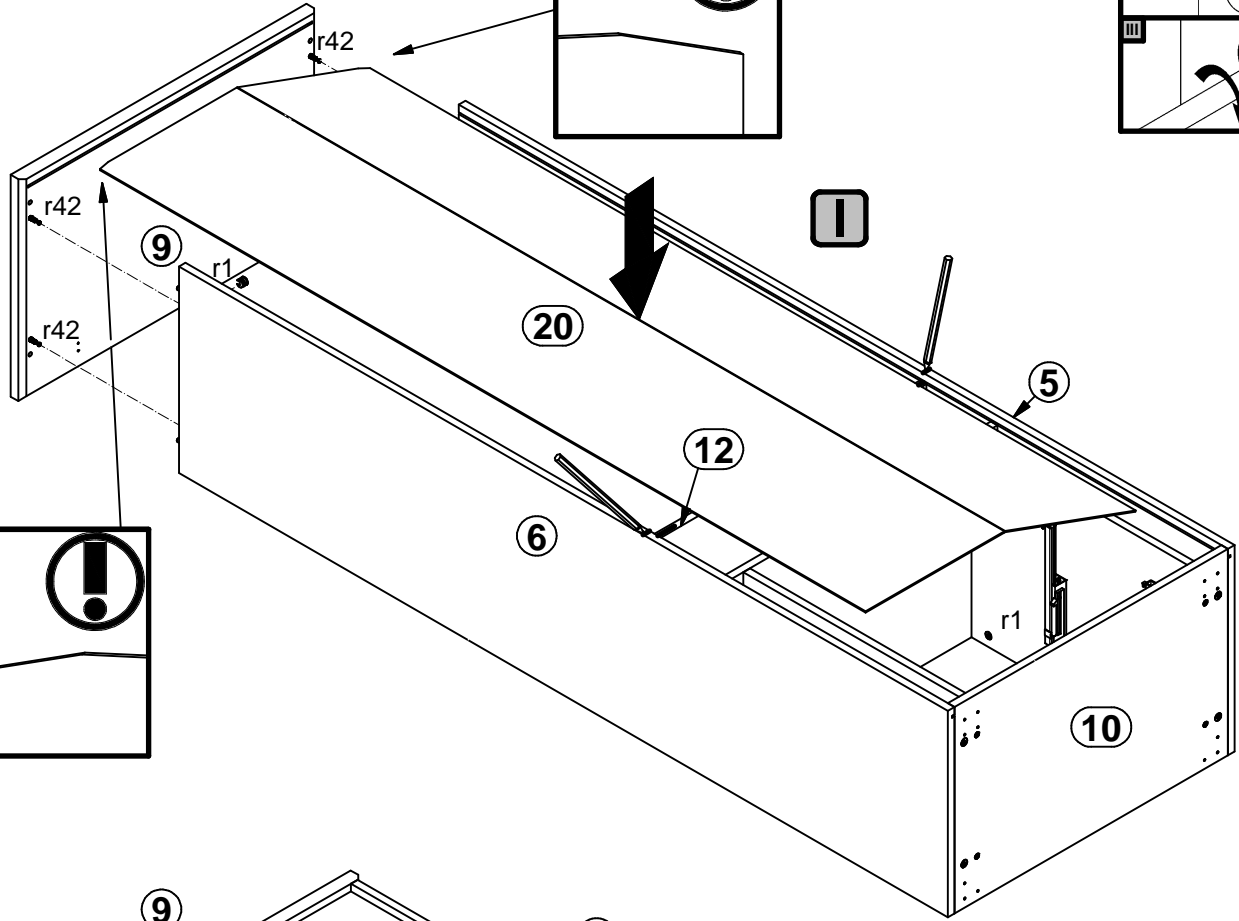
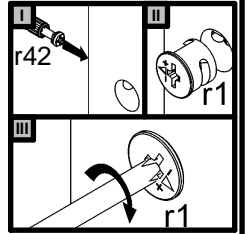
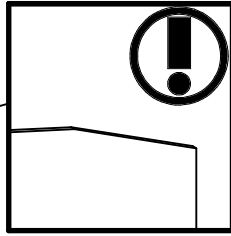
# 3

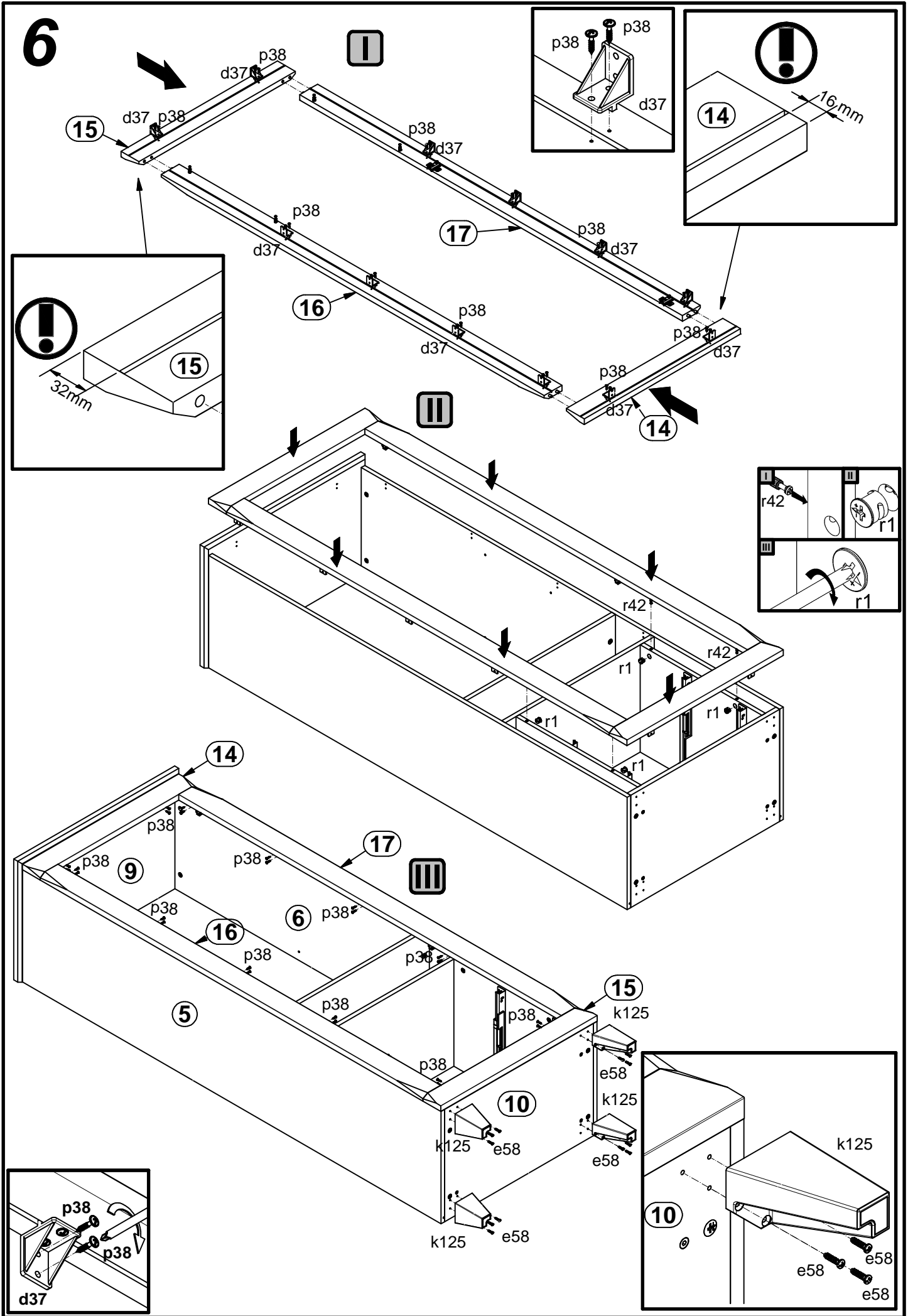


# 4



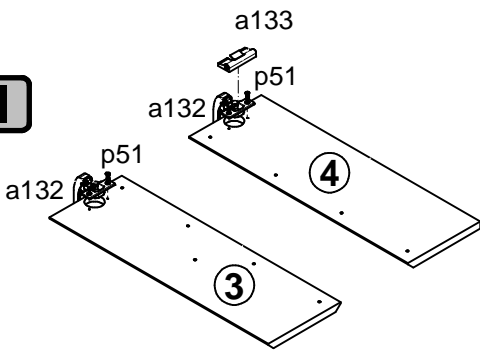
# 5



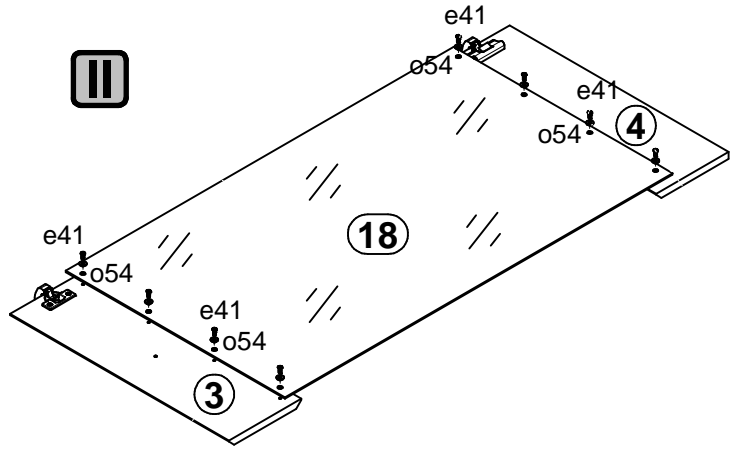


# 7

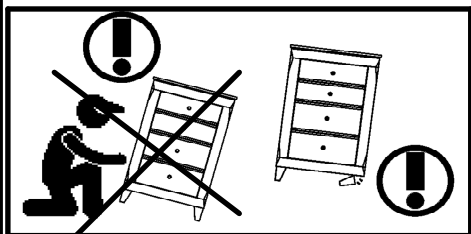
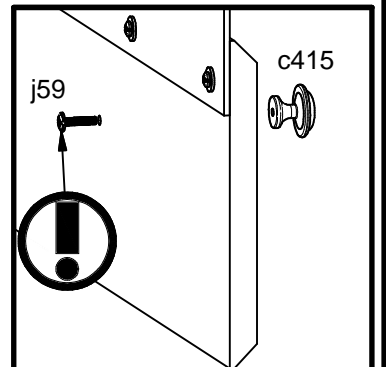
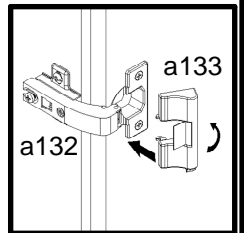
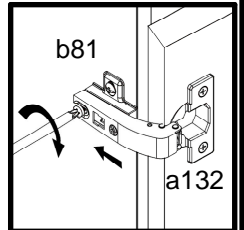
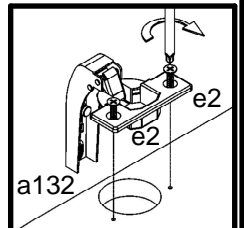
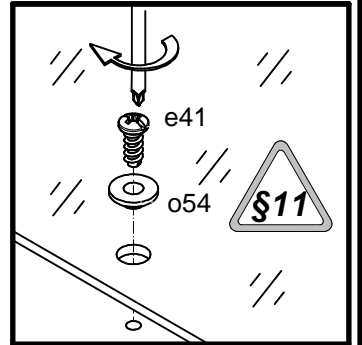
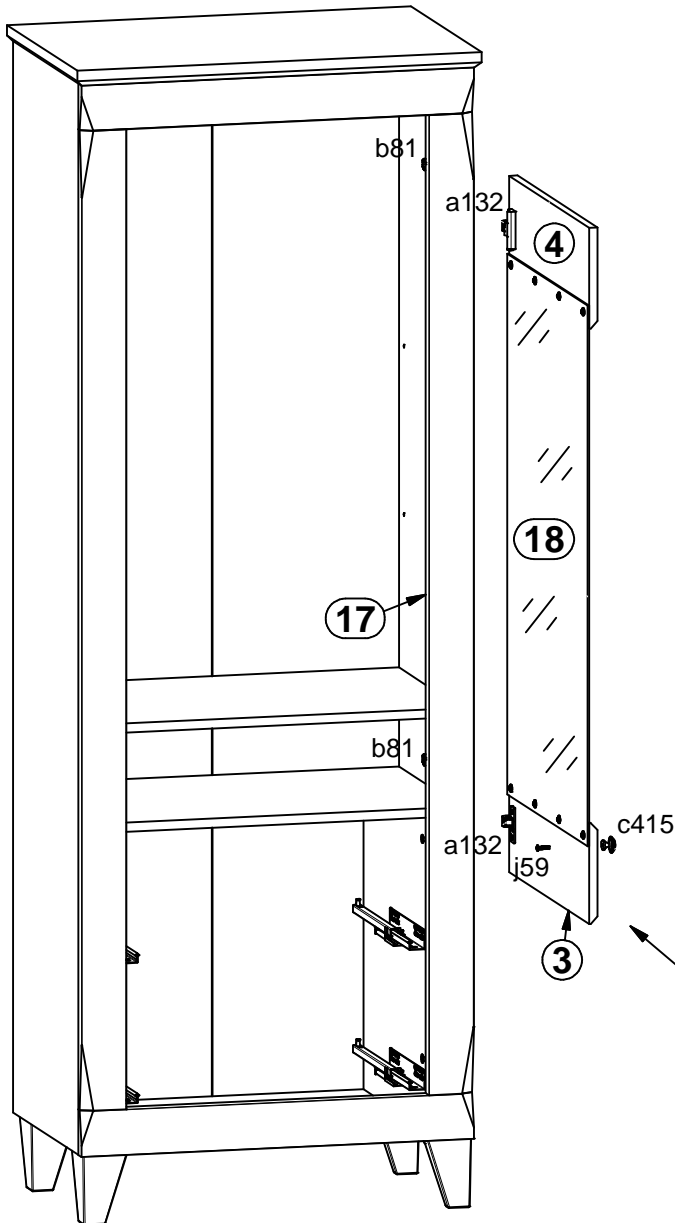
I



II



III



# 8

