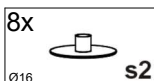
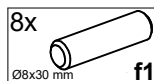
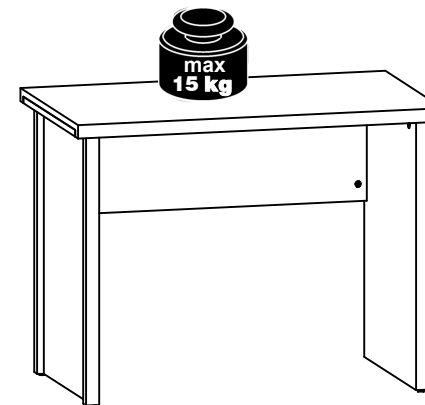
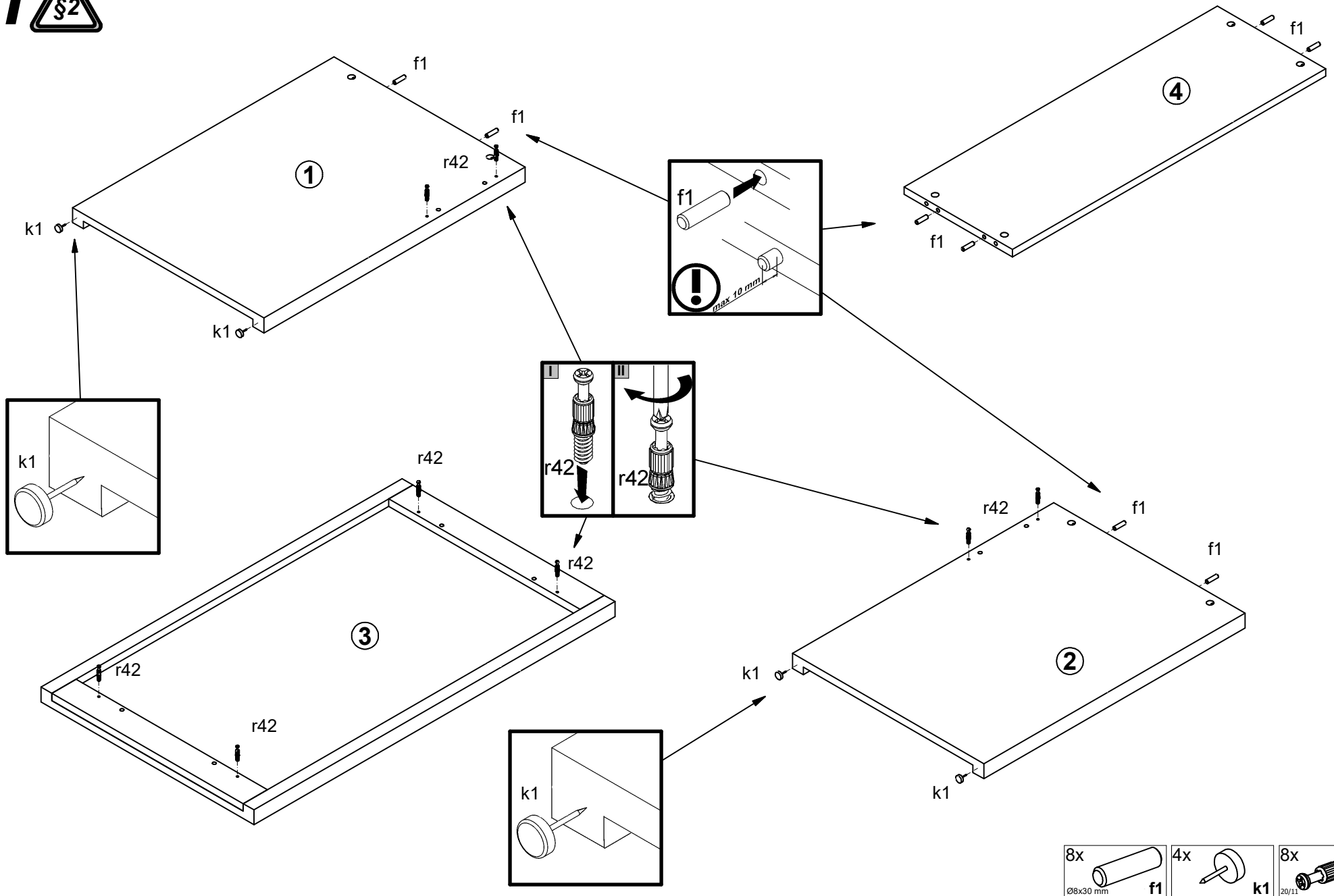
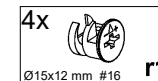
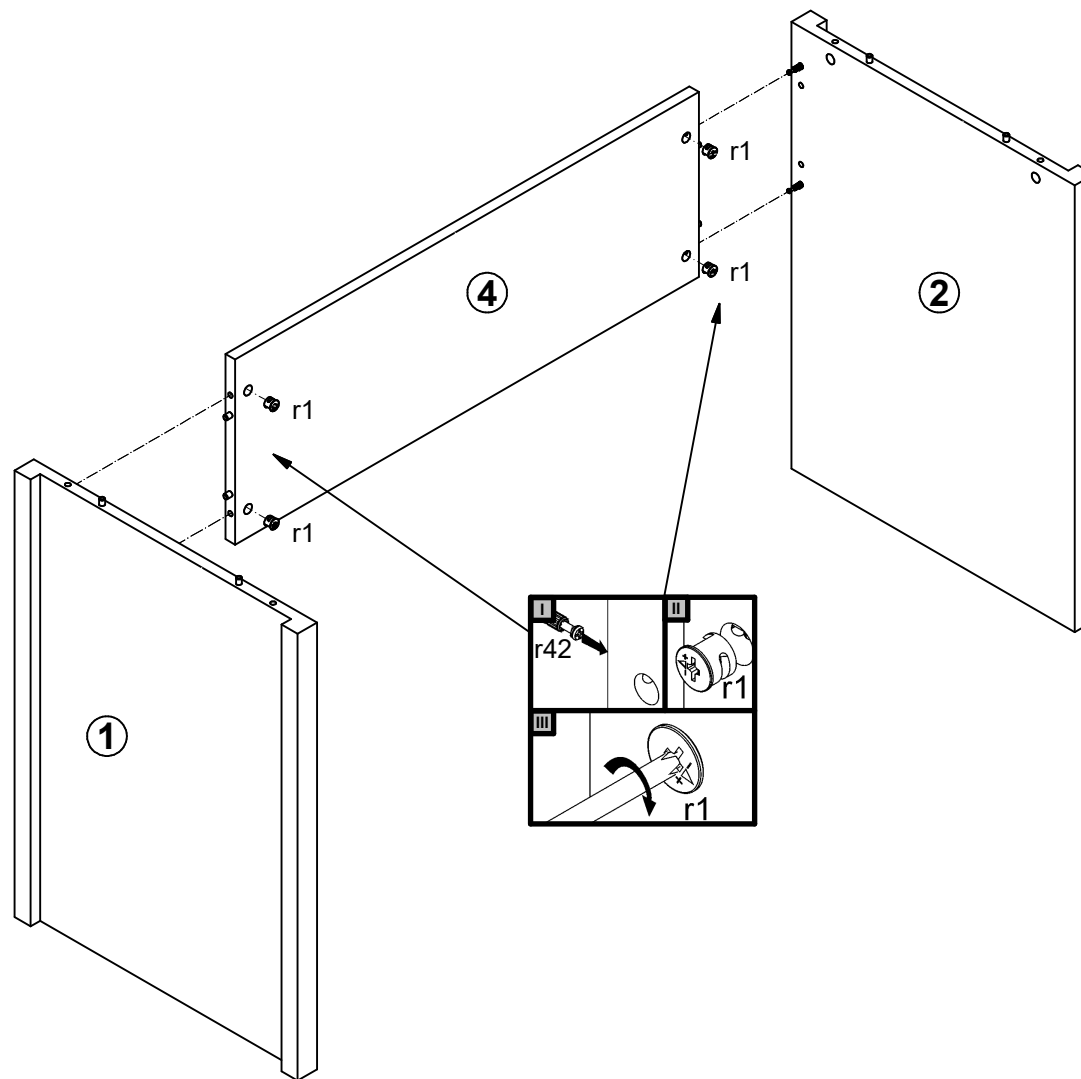


A	B	C (mm)		D
1	S328-124	724	530	1/1
2	S328-125	724	530	1/1
3	S328-207	1000	590	1/1
4	S328-408	868	300	1/1





2



3

