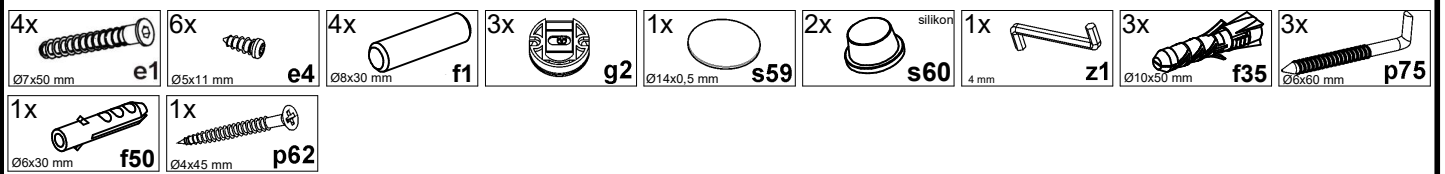
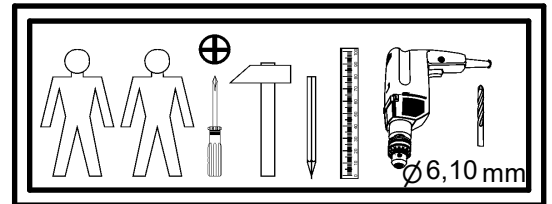
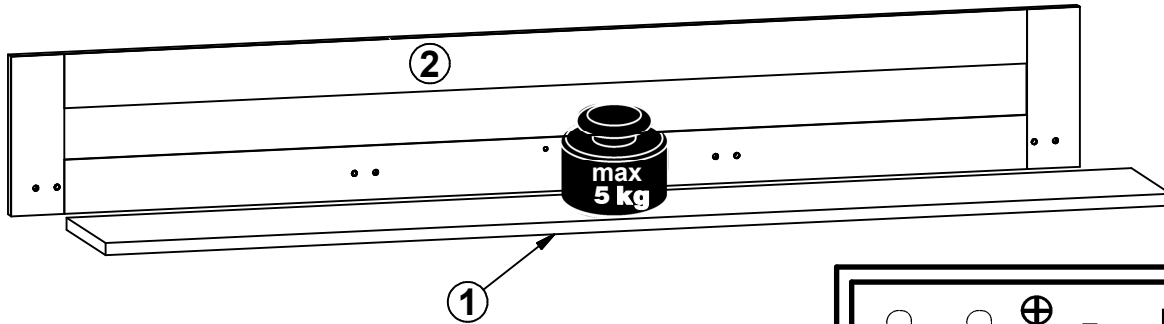
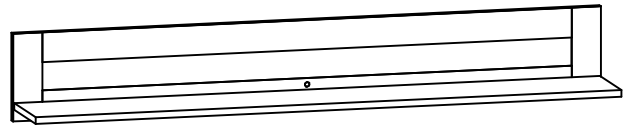
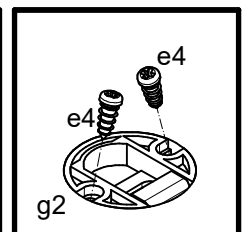
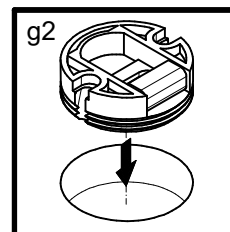
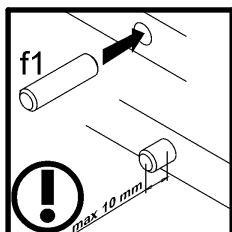
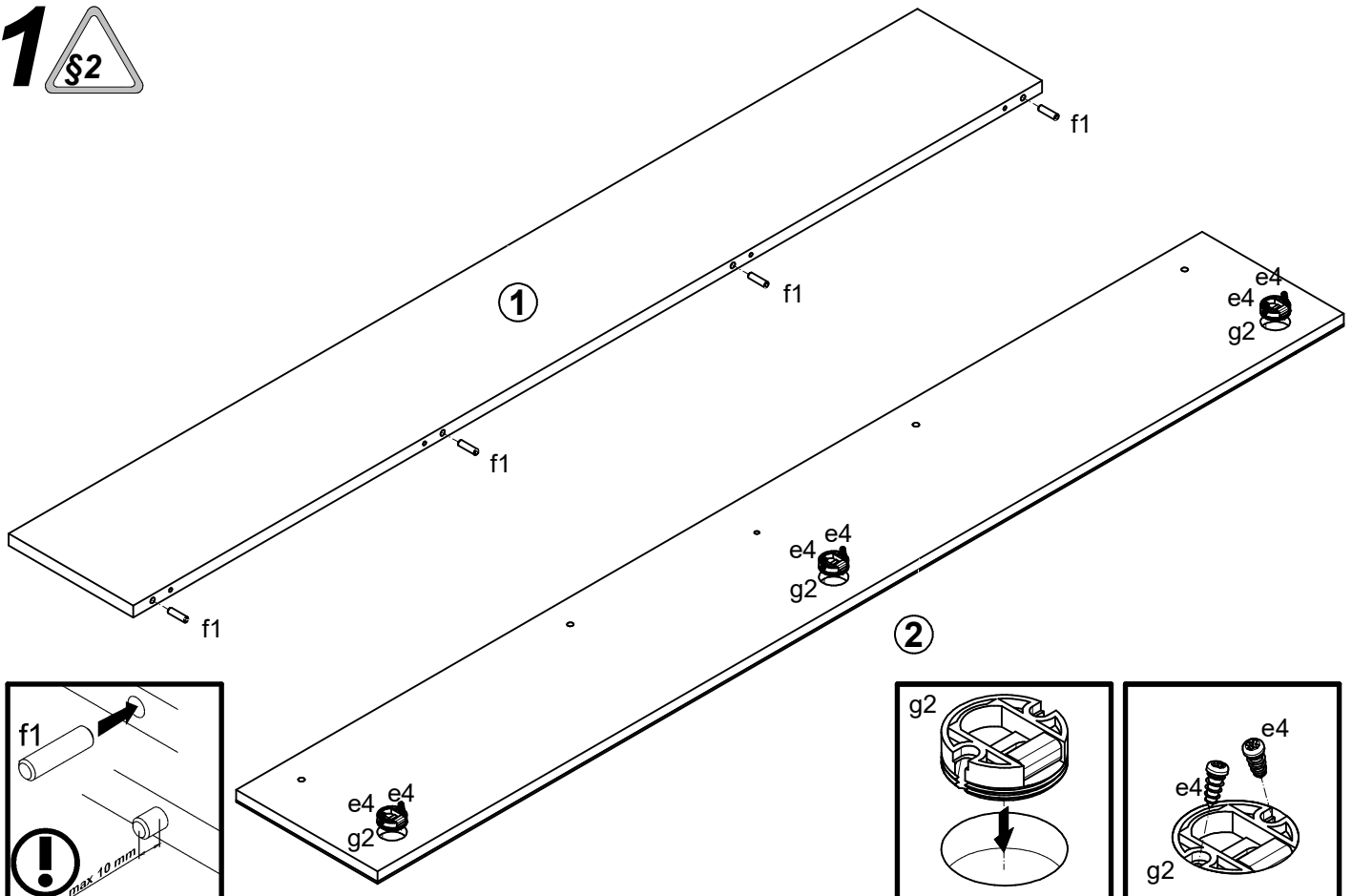
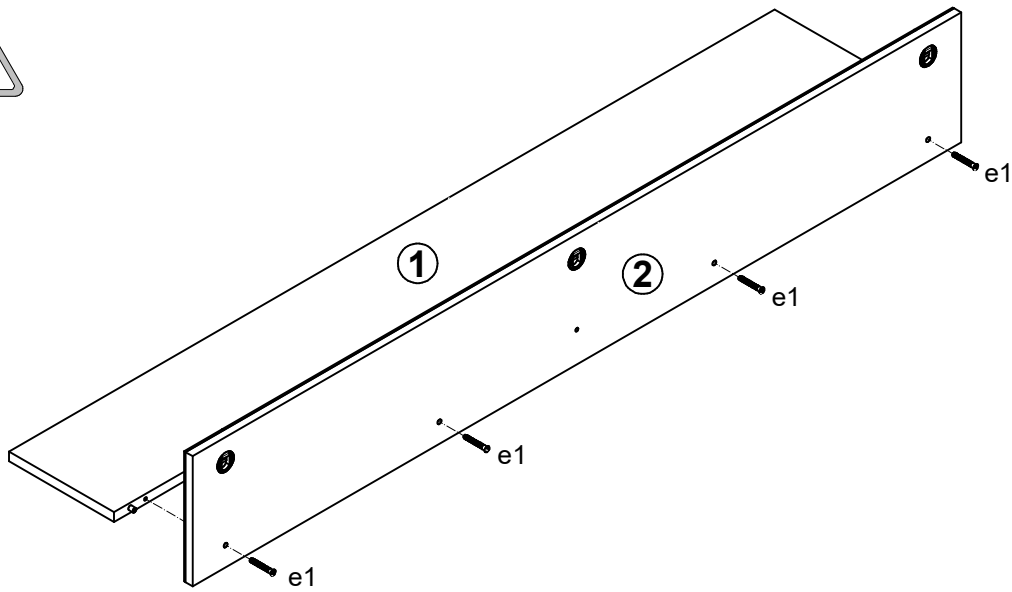


A**OSTIA****S467-POL/160**

A	B	C	D	
1	S467-3001	1604	220	1/1
2	S467-4017	1610	236	1/1

**1** §2

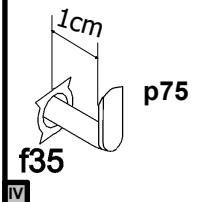
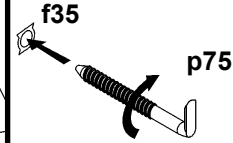
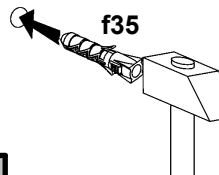
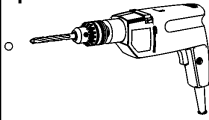
2 §6



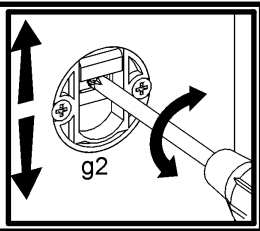
3 §6



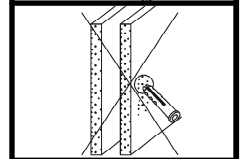
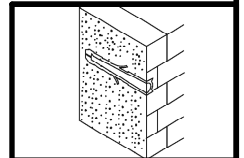
φ10 mm



§10



f35 p75



f35 p75

f35 p75

f50

2

p62

s59

1

