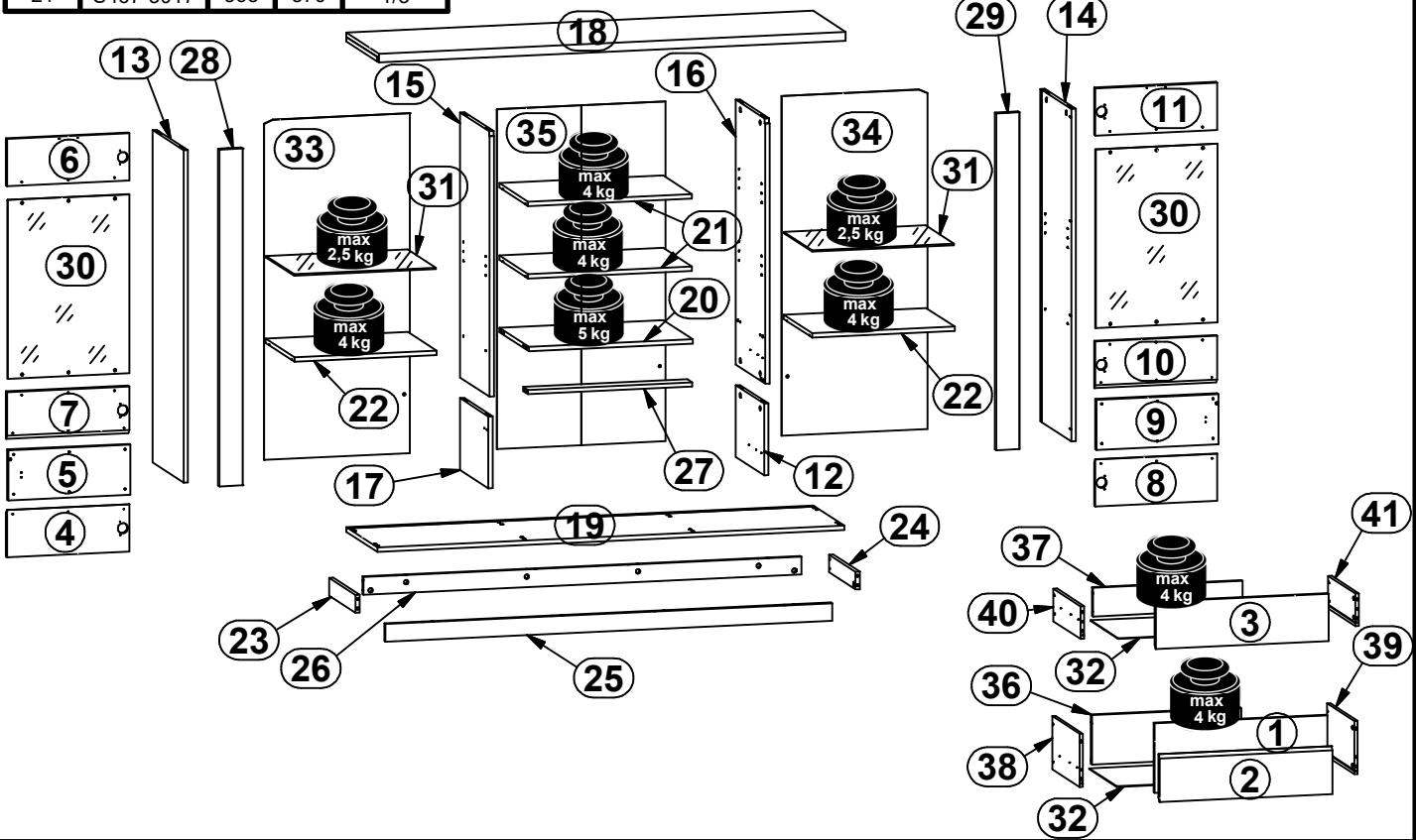
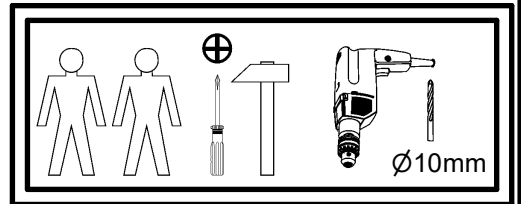
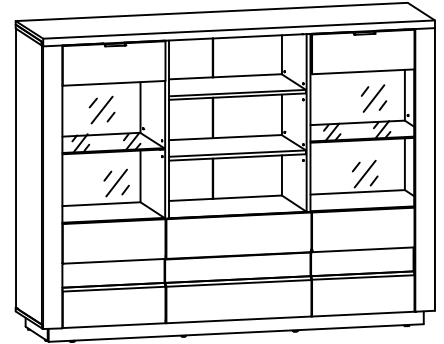
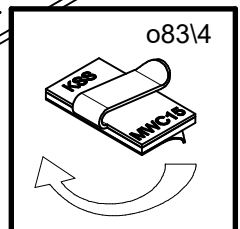
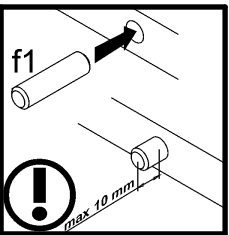
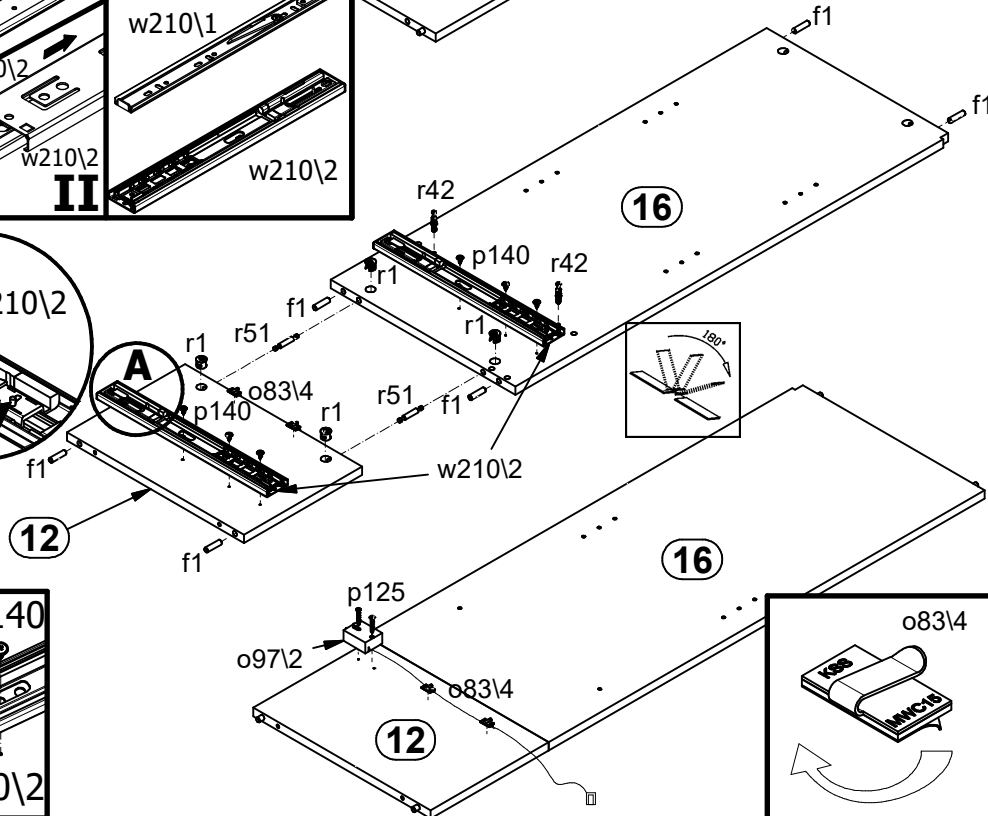
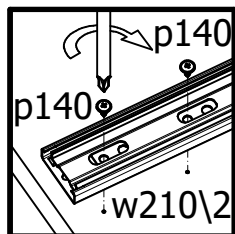
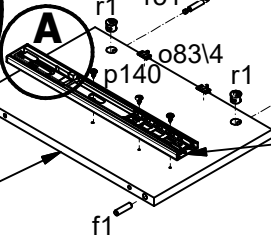
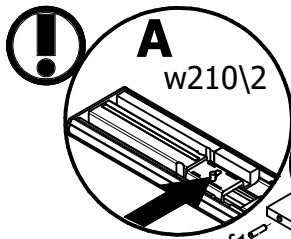
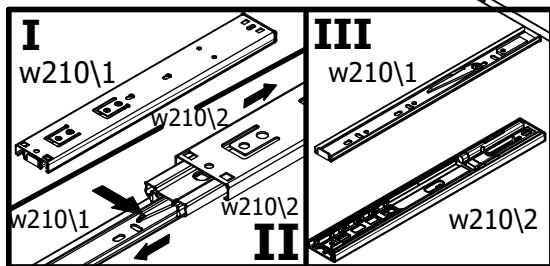
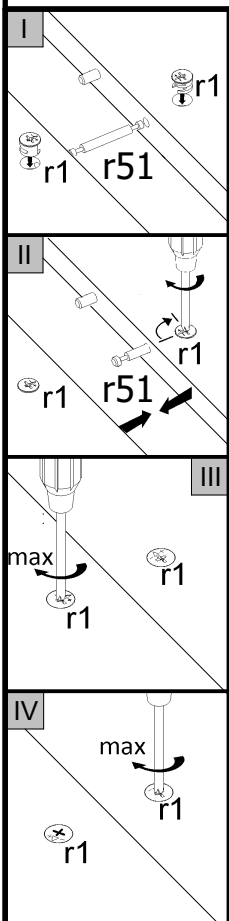
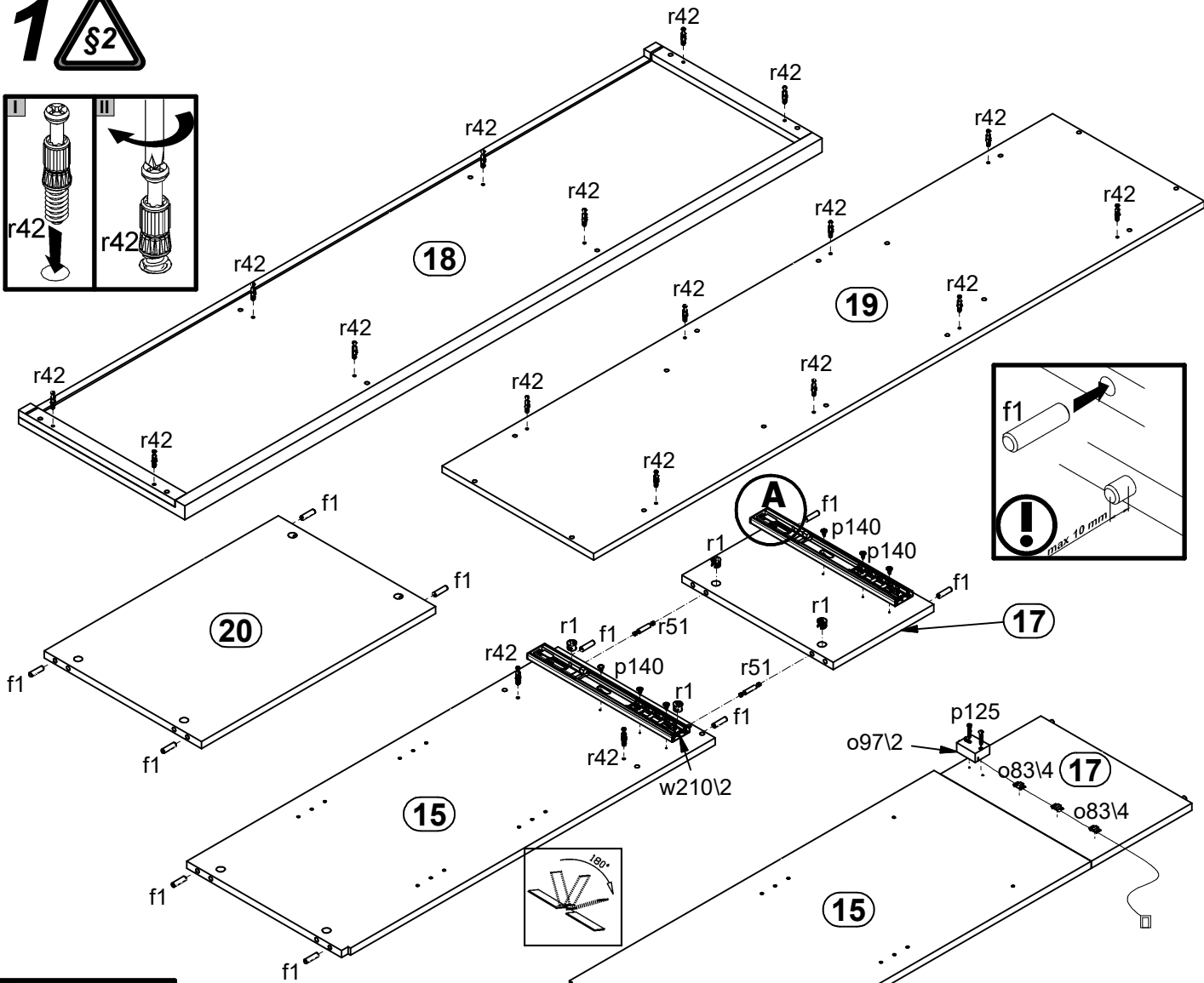
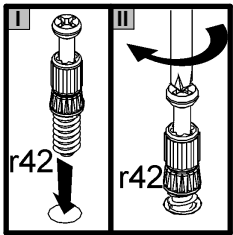


A	B	C	D	A	B	C	D		
1	S467-0029	596	235	1/3	22	S467-3018	491	370	3/3
2	S467-0030	596	160	1/3	23	S467-4001	341	60	3/3
3	S467-0031	596	160	1/3	24	S467-4002	341	60	3/3
4	S467-0043	421	160	3/3	25	S467-4009	1541	60	3/3
5	S467-0044	421	170	3/3	26	S467-4010	1510	60	3/3
6	S467-0045	421	160	3/3	27	S467-4046	566	60	1/3
7	S467-0046	421	160	3/3	28	S467-5032	1140	80	2/3
8	S467-0047	421	160	3/3	29	S467-5033	1140	80	2/3
9	S467-0048	421	170	3/3	30	S467-5034	605	420	3/3
10	S467-0049	421	160	3/3	31	S467-5035	489	365	1/3
11	S467-0050	421	160	3/3	32	S467-9016	528	357	1/3
12	S467-1016	243	365	2/3	33	S467-9017	1150	503	2/3
13	S467-1040	1125	400	2/3	34	S467-9018	1150	503	2/3
14	S467-1041	1125	400	2/3	35	S467-9309	1150	581	2/3
15	S467-1042	897	380	2/3	36	ZK3-5109	516	167	1/3
16	S467-1043	897	380	2/3	37	ZK3-5110	516	97	1/3
17	S467-1044	243	365	2/3	38	ZK4-503	350	180	1/3
18	S467-2018	1610	420	3/3	39	ZK4-504	350	180	1/3
19	S467-2019	1610	400	3/3	40	ZK4-523	350	110	1/3
20	S467-3016	566	380	1/3	41	ZK4-524	350	110	1/3
21	S467-3017	565	370	1/3					

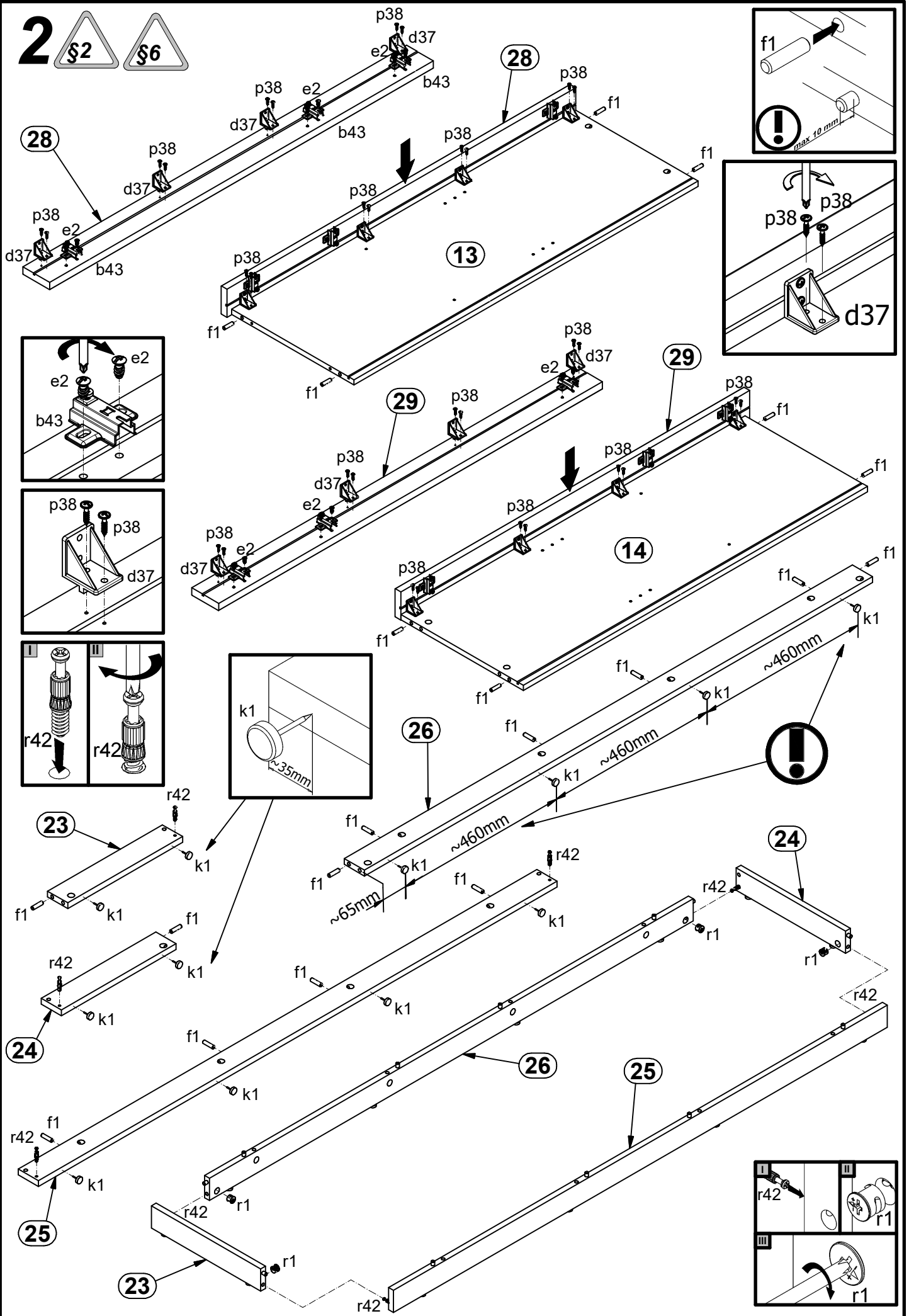


6x a132	6x b43	2x c485 84 mm	16x d1 Ø5x17 mm	8x d3 Ø5x17 mm	8x d37	8x e1 Ø7x50 mm	12x e2 Ø6,3x13 mm	12x e47 Ø5x16 mm
40x f1 Ø8x30 mm	4x f9 Ø6x30 mm	8x f25 Ø6,5x40 mm	12x k1	10x l2	10x n108 22x9,5x20,7 mm	12x o54 Ø5,3/Ø8,3x4,8 mm	4x p1 Ø3,5x13 mm	6x p14 Ø3x20 mm
2x p25 Ø3,5x16 mm	2x p35 Ø3,5x10 mm	40x p38 Ø3,5x16 mm	12x p51 Ø3,5x15 mm	13x p55 Ø2,9x16 mm	18x p94 Ø4x28 mm	4x p125 Ø3x30 mm	24x p140 Ø3,5x12 mm	32x r1 Ø15x12 mm #16
8x r15 Ø12x10,5 mm #12	32x r42 20/11	4x r51 40 mm	2x t35 350 mm	4x w210/1 L=350 mm	4x w210/2 L=350 mm	8x s68 Ø 20mm	1x z1 4 mm	
1x o70/17 3P 15W	1x o77/40 10x10 mm L=560 mm	8x o83/4 10x18 mm	2x o97/1	2x o97/2	2x o134/4 10x5 mm L=416 mm	1x n26	1x p38 Ø3,5x16 mm	

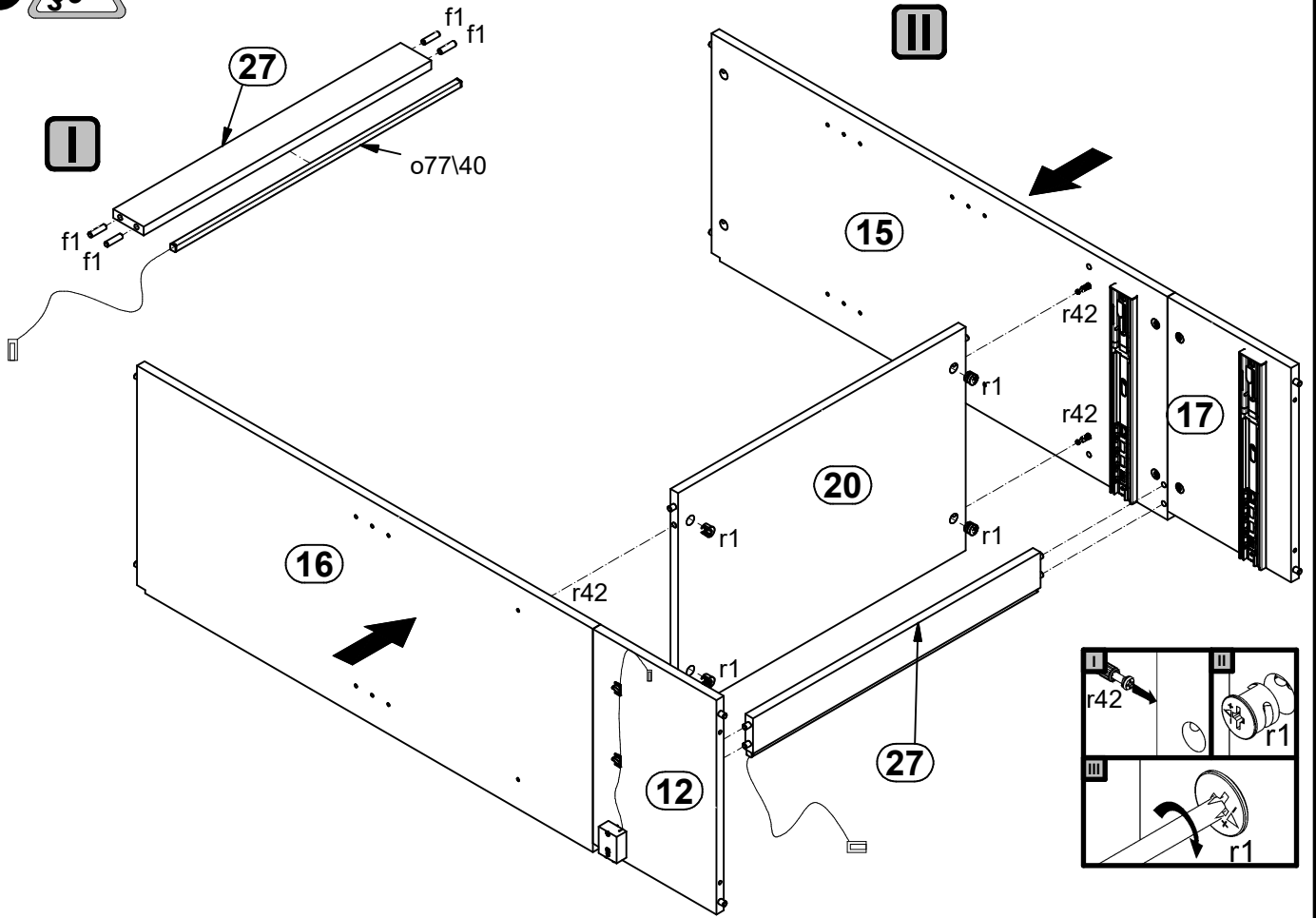
1 



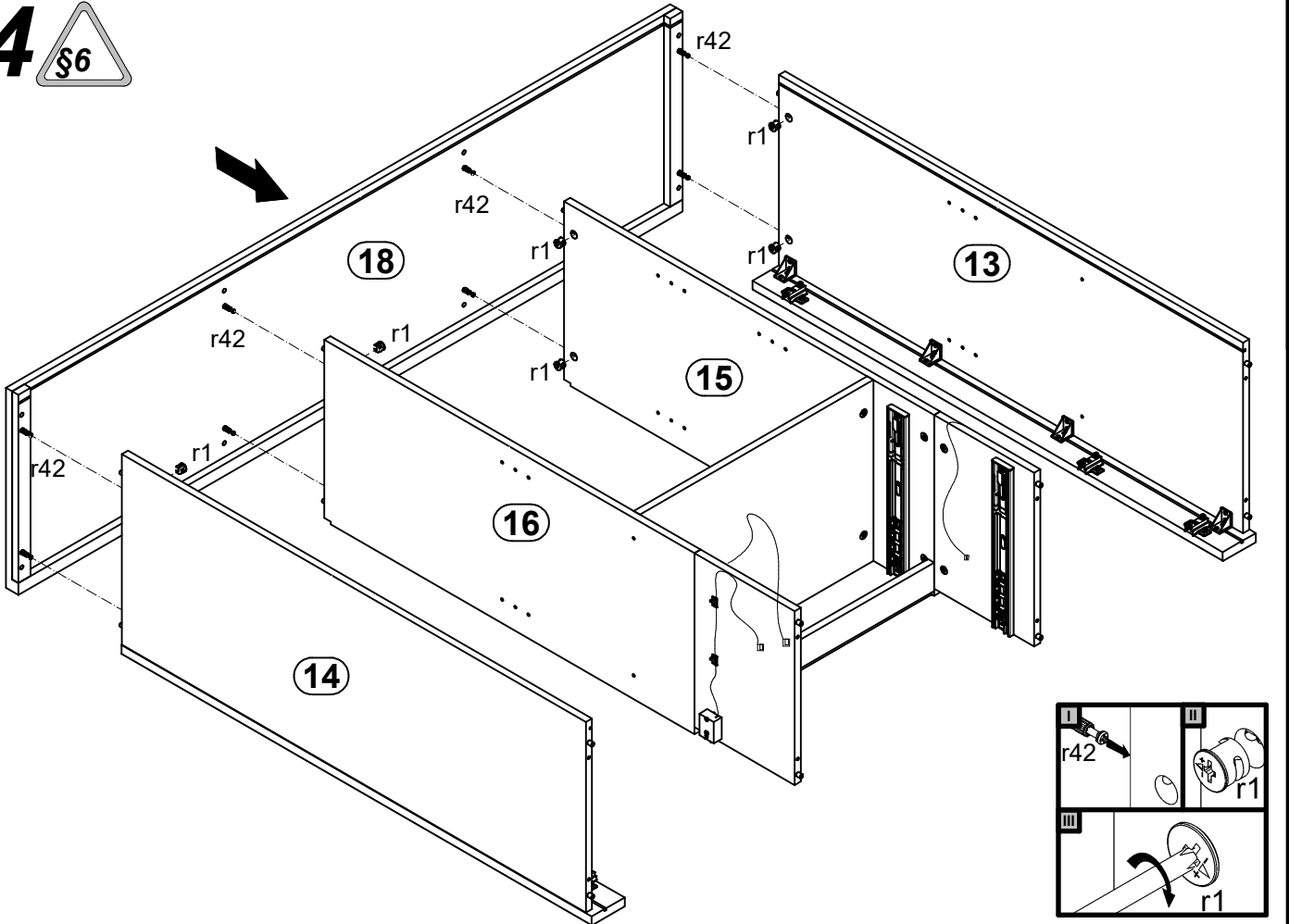
2  



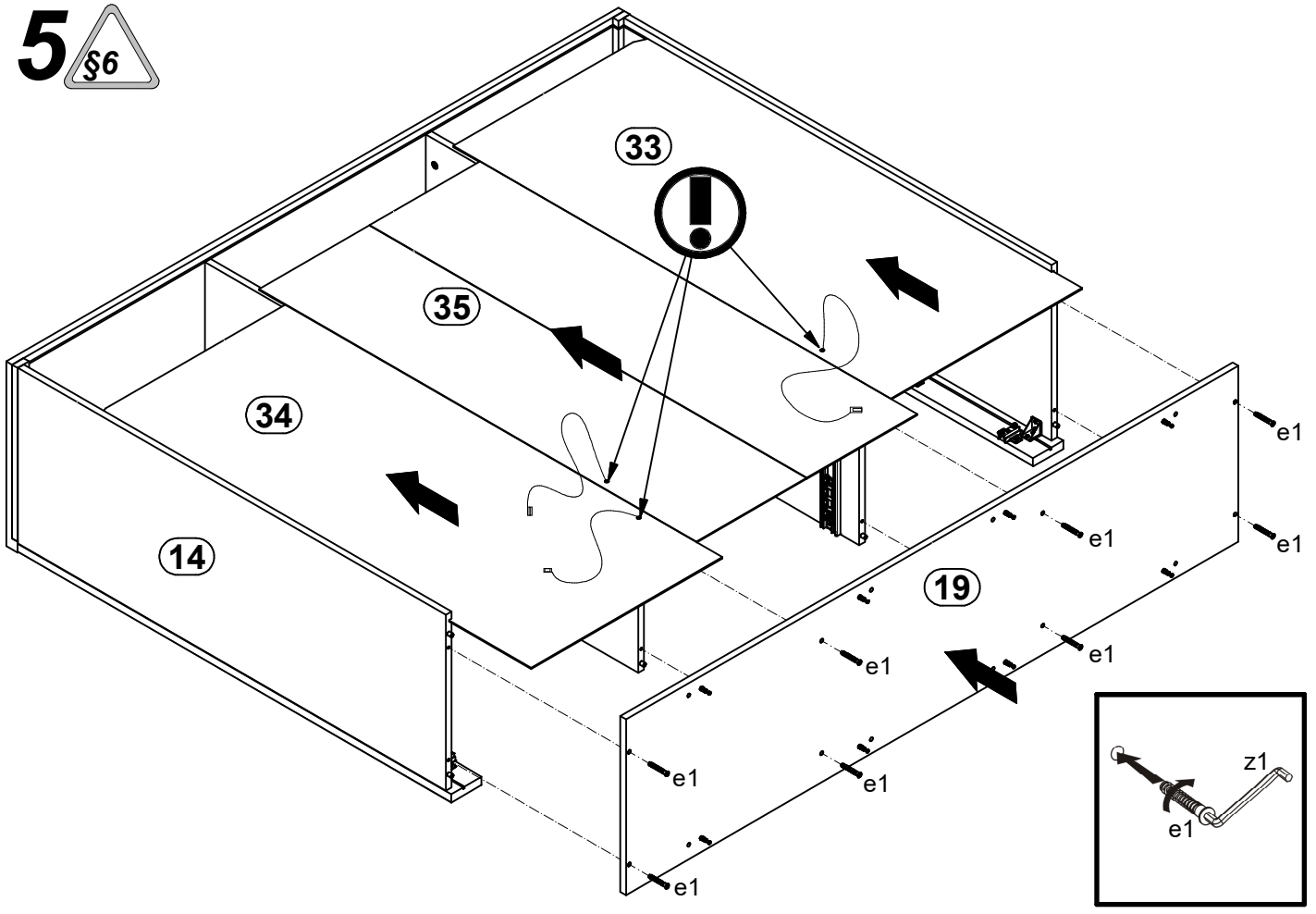
3 



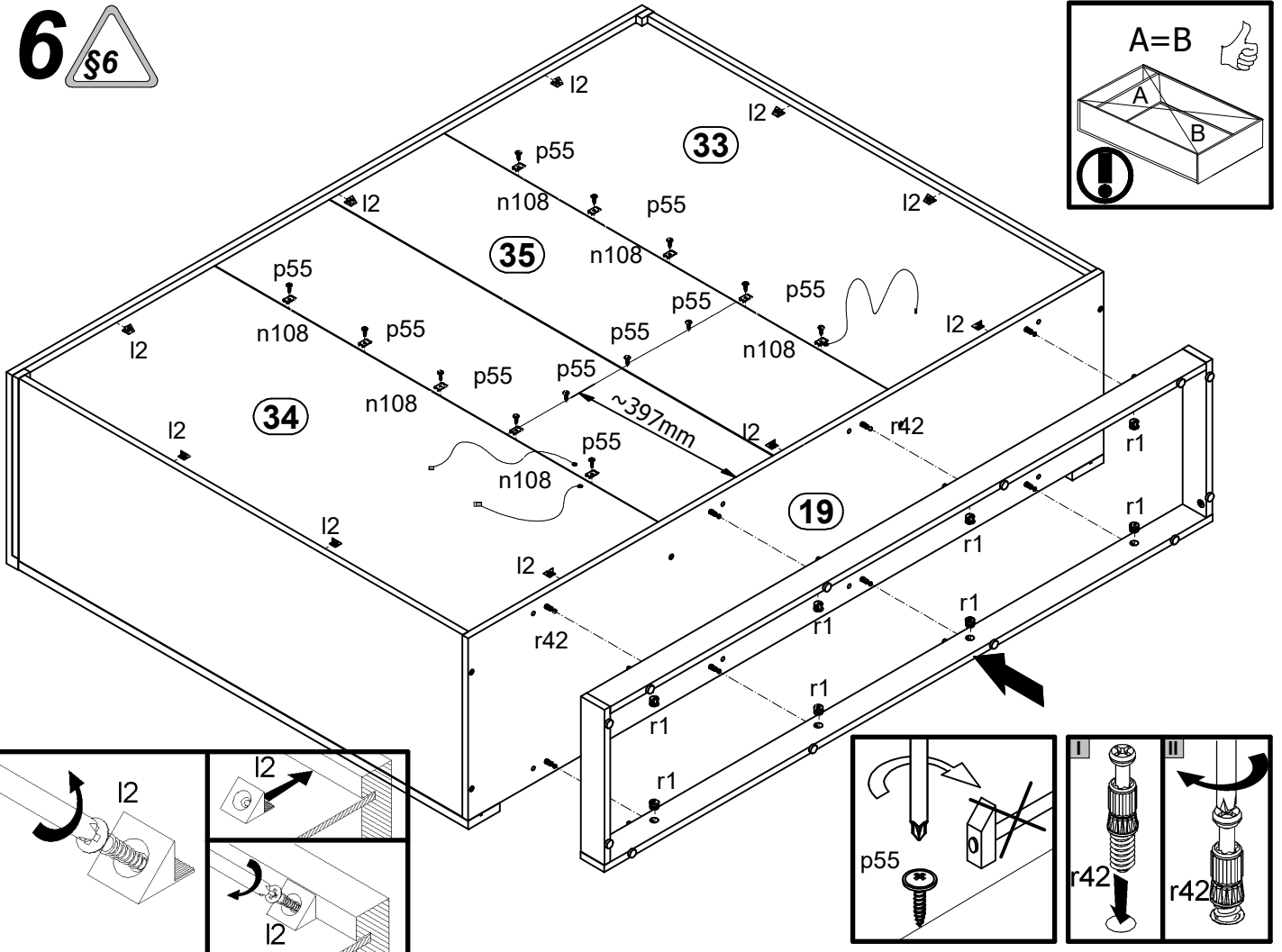
4 



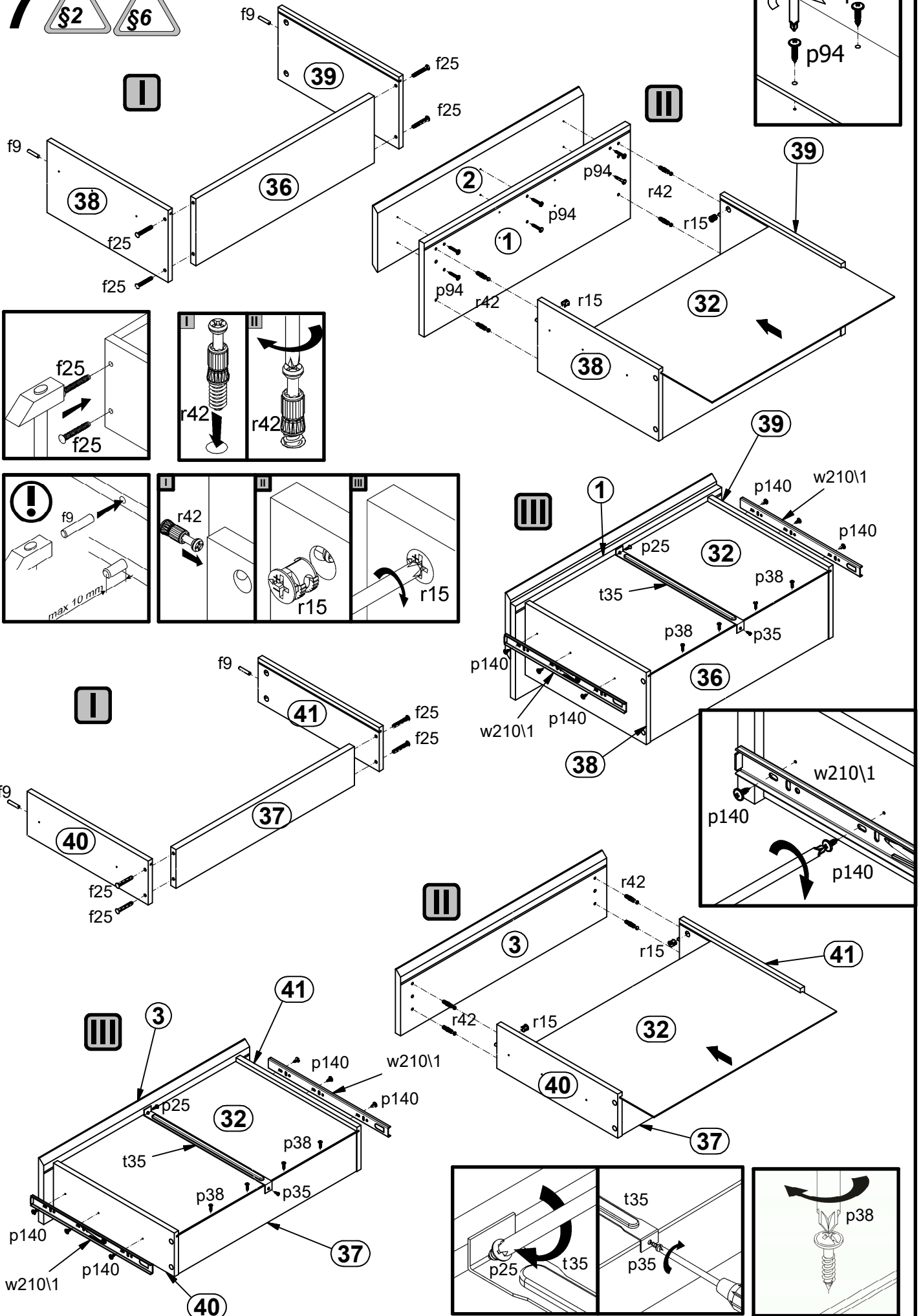
5 §6



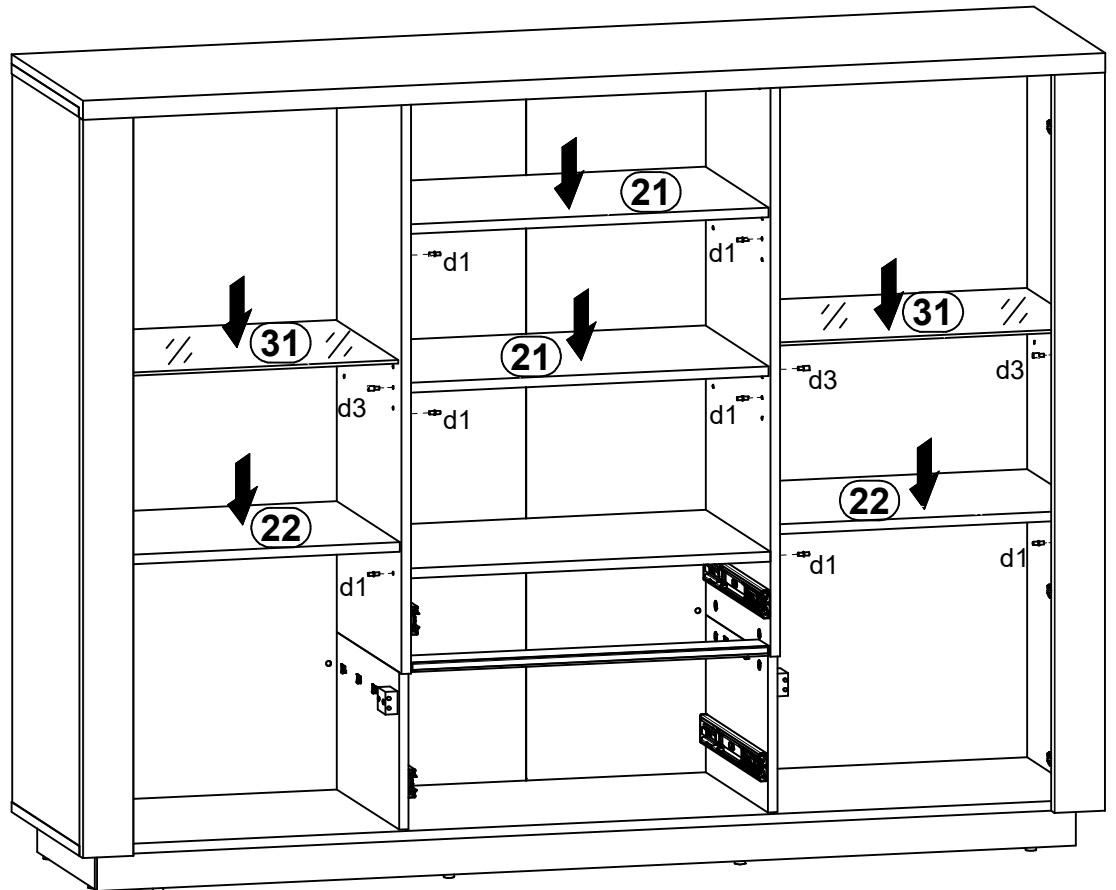
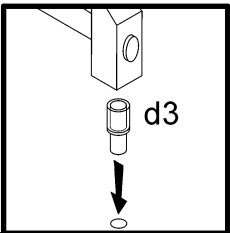
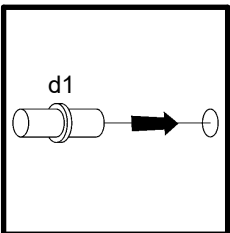
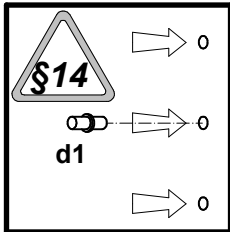
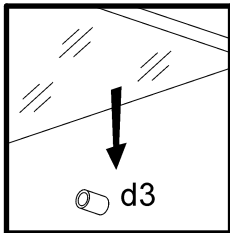
6 §6



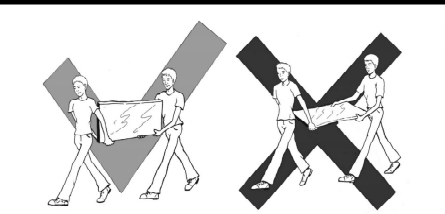
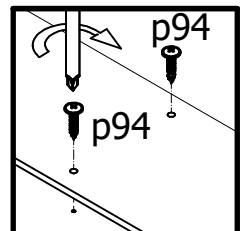
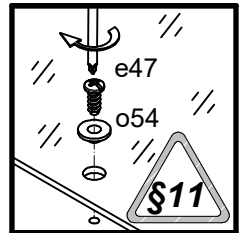
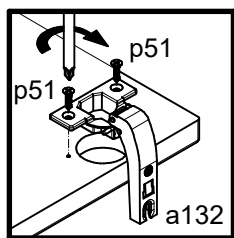
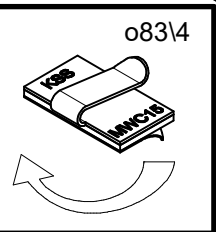
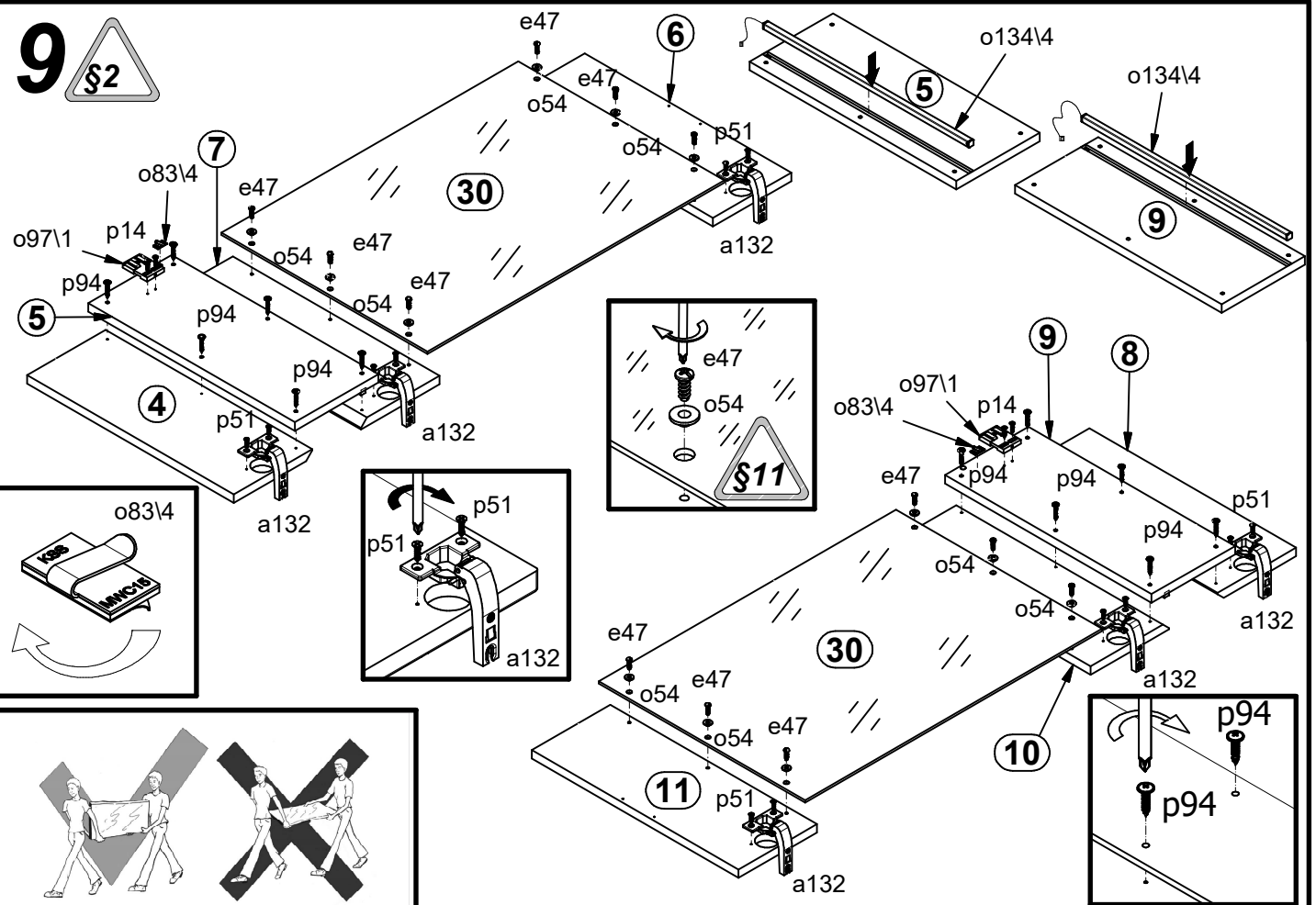
7



8 §6



9 §2



10

