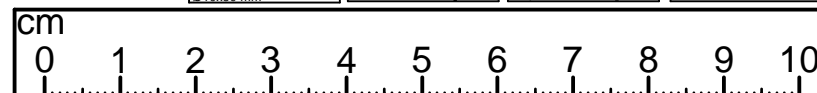
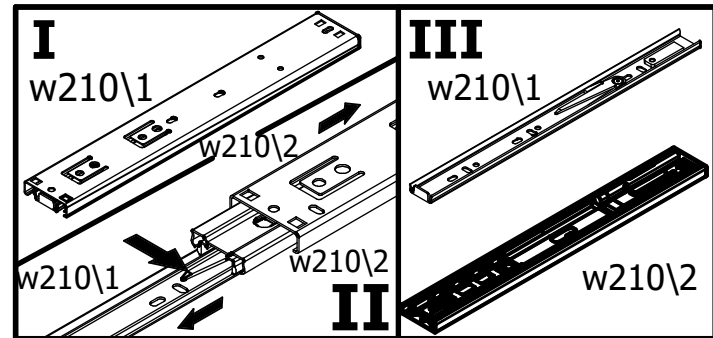
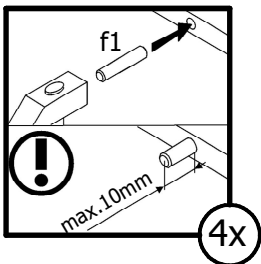
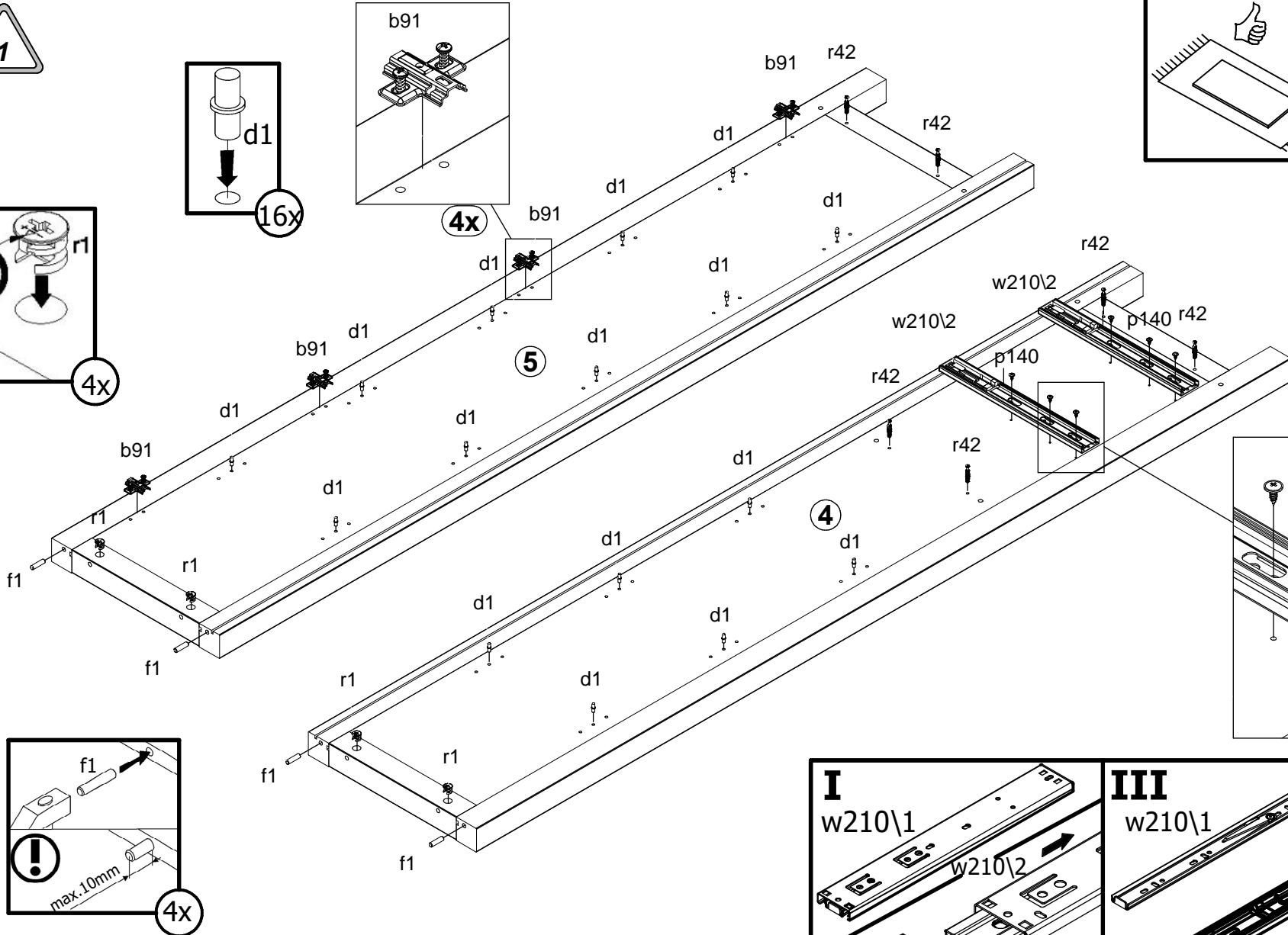
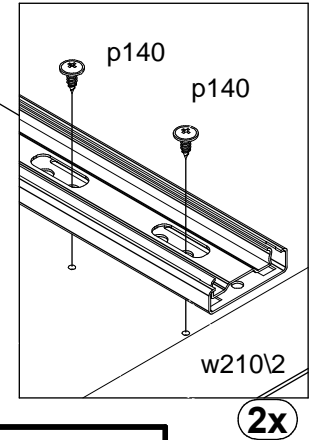
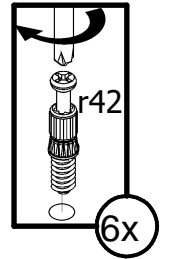
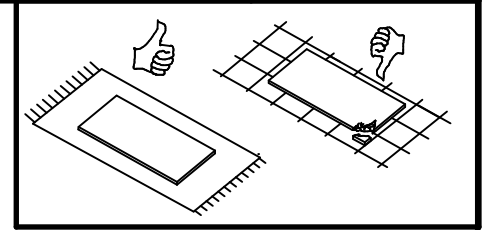
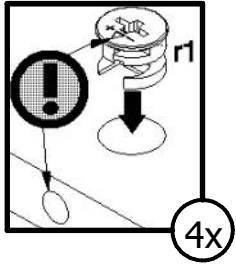
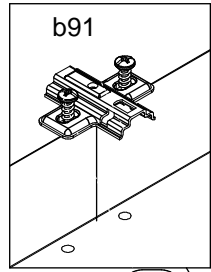
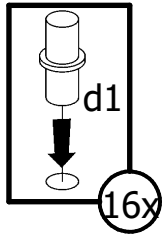


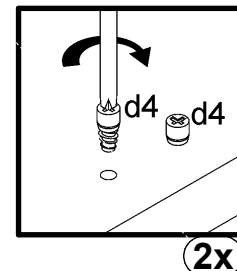
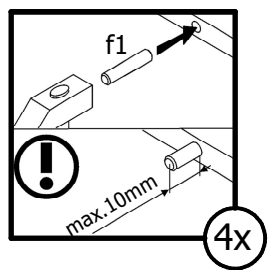
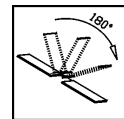
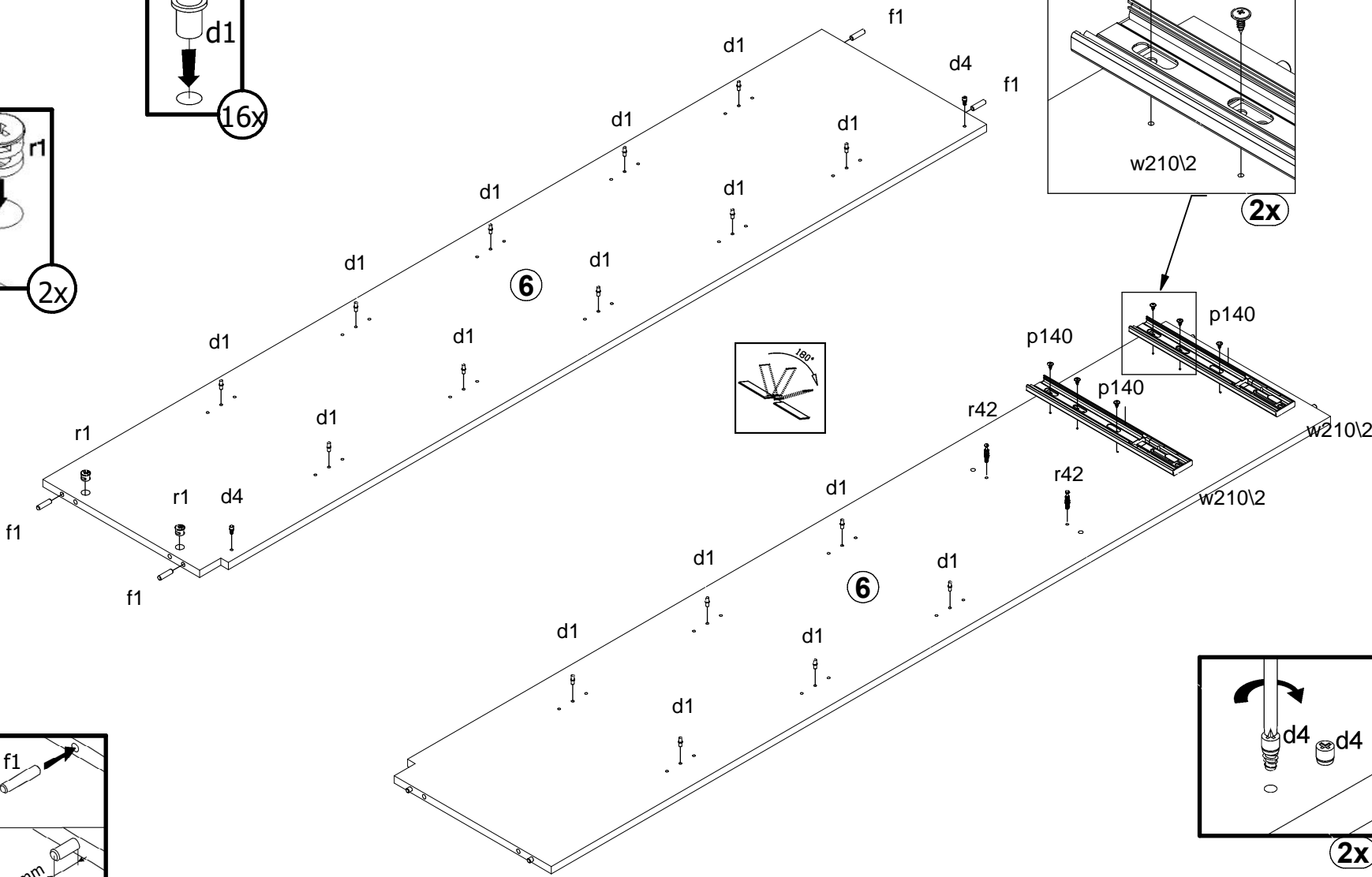
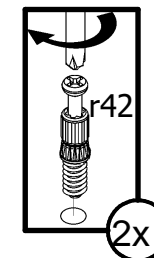
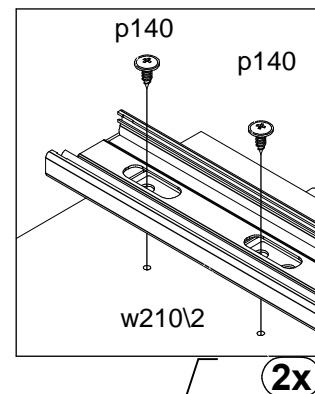
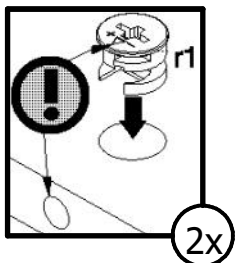
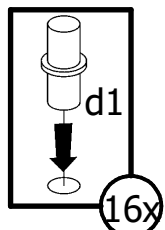
A	B	C1	C2	C3	D
1	S503-5005	134	50	50	3/4
2	S515-0001	1794	442	19	4/4
3	S515-0002	442	240	15	2/4
4	S515-1001	2000	413	50	3/4
5	S515-1002	2000	413	50	3/4
6	S515-1003	1851	391	15	4/4
7	S515-2001	1060	438	28	2/4
8	S515-3001	911	373	15	1/4
9	S515-3002	448	372	15	2/4
10	S515-3003	447	362	15	1/4
11	S515-5201	911	50	19	4/4
12	S515-5202	448	50	19	4/4
13	S515-9001	1869	460	2,5	4/4
14	S515-9002	1869	460	2,5	4/4
15	WSP-9329	408	358	2,5	2/4
16	ZK3-5060	398	167	15	2/4
17	ZK4-503	350	180	12	2/4
18	ZK4-504	350	180	12	2/4

4x  b91	4x  a203	1x  M4x25 mm	5x  k1	13x  l1
32x  d1 ∅5x17 mm	3x  c475	12x  i2	42  p38 ∅3,5x16 mm	8x  p51 ∅3,5x15 mm
2x  d4 ∅6,3x15 mm	3x  e1 ∅7x50 mm	14x  r1 ∅15x12 mm #16	22x  r42 20/11	6x  s2 ∅16
4x  f9 ∅6x30 mm	8x  f25 ∅6,5x40 mm	8x  r15 ∅12x10,5 mm #12	16x  f1 ∅8x30 mm	24x  p140 ∅3,5x12 mm
8x  d41/2	9x  n108 20x13x3,5/1	9x  p55 ∅2,9x16 mm	5x  o114 d-16 mm	4x  w210/1 L-350 mm
2x  j30 M4x22 mm	1x  z1	1x  o60/3_4	4x  w210/2 L-350 mm	
1x  f35 ∅10x50 mm	1x  p17 ∅5x60 mm	2x  p38 ∅3,5x16 mm	1x  n14/2 88x21x15/1,5	

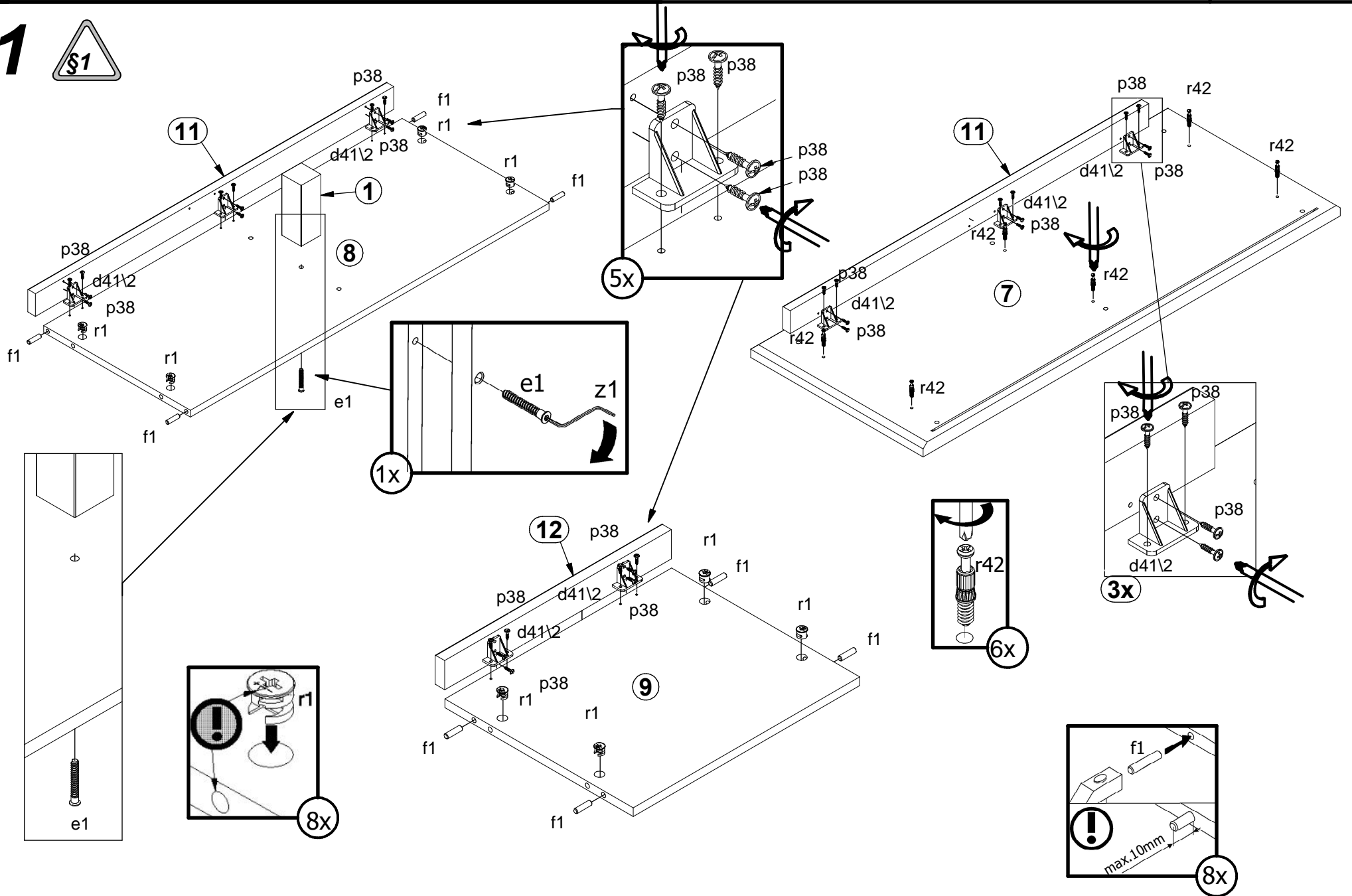


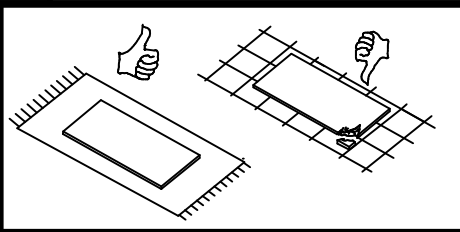


1



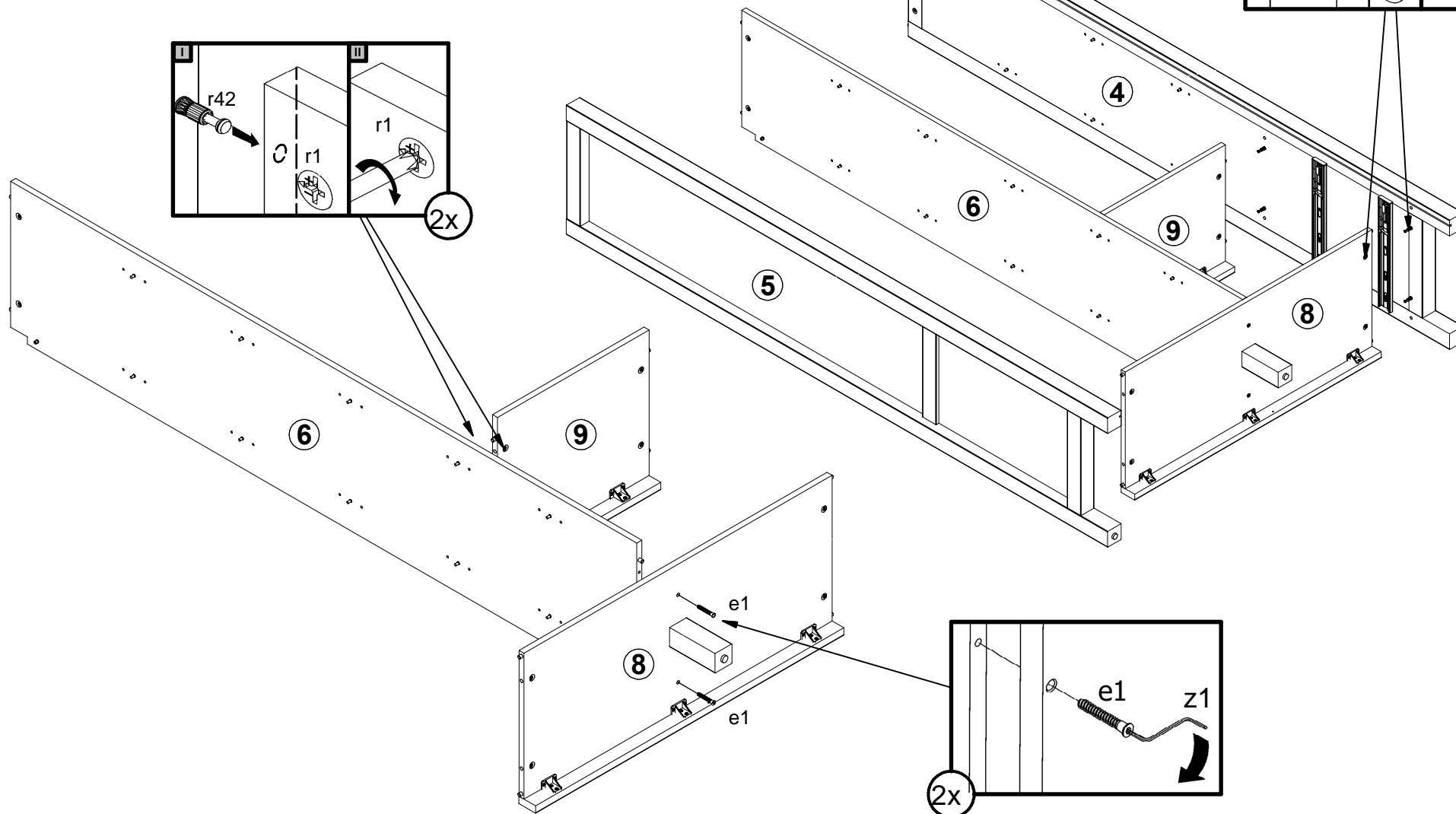
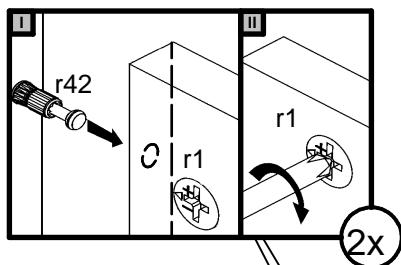
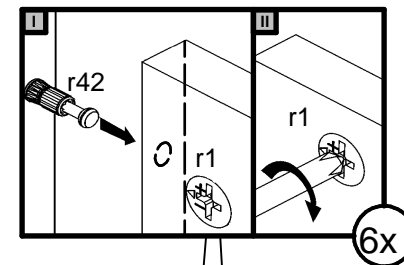
1

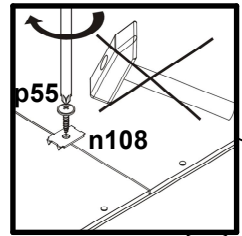
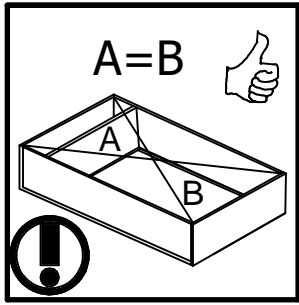




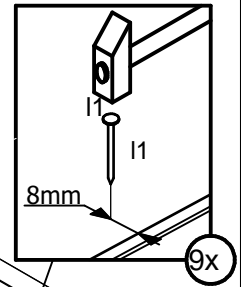
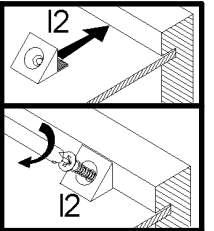
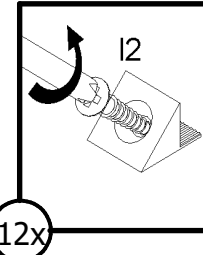
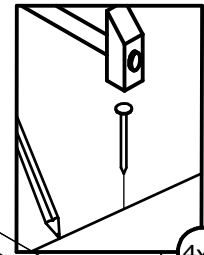
**2**

**3**

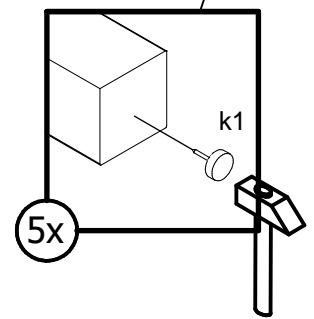
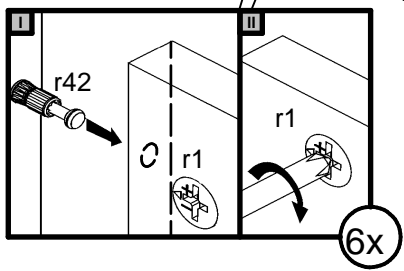
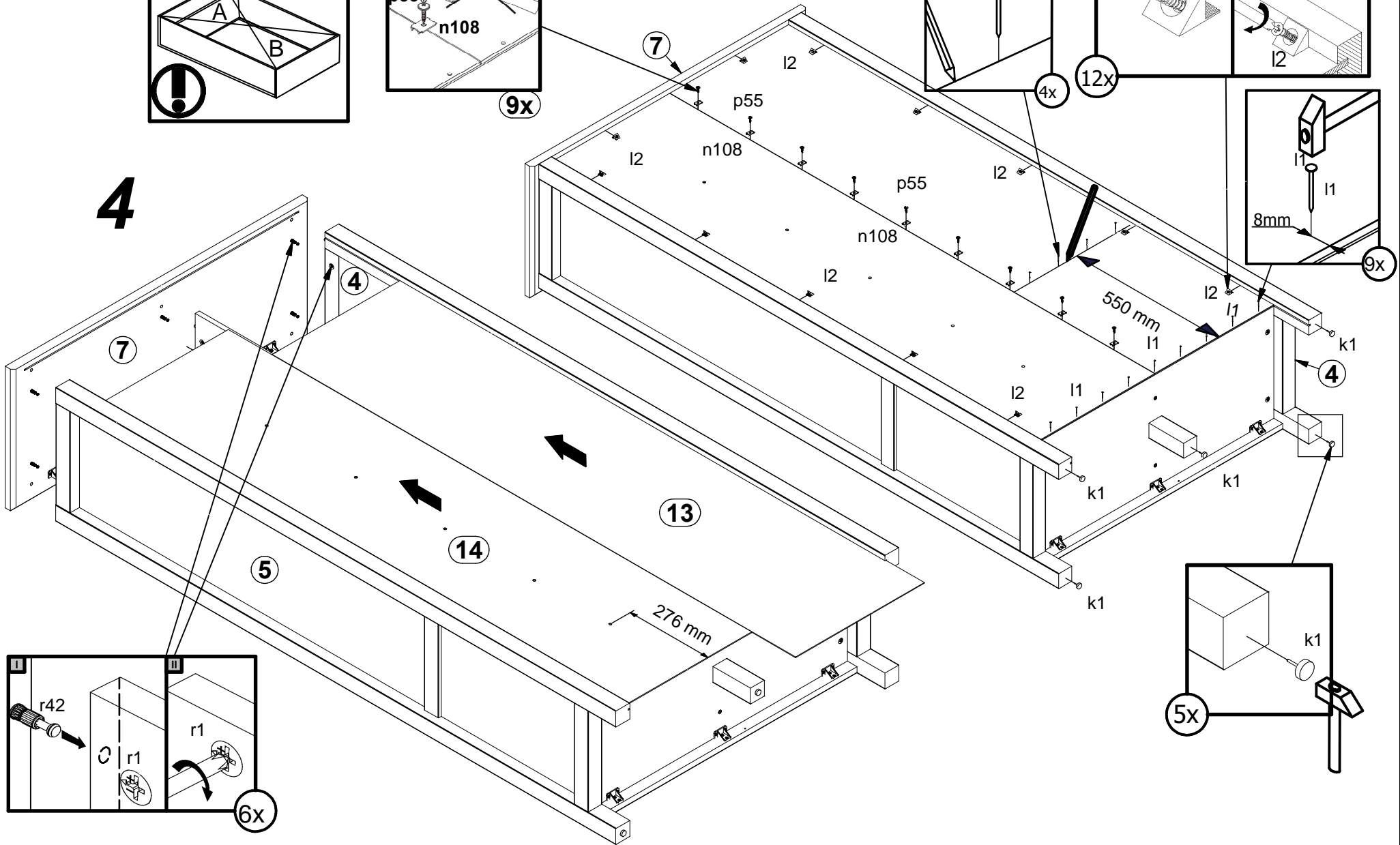




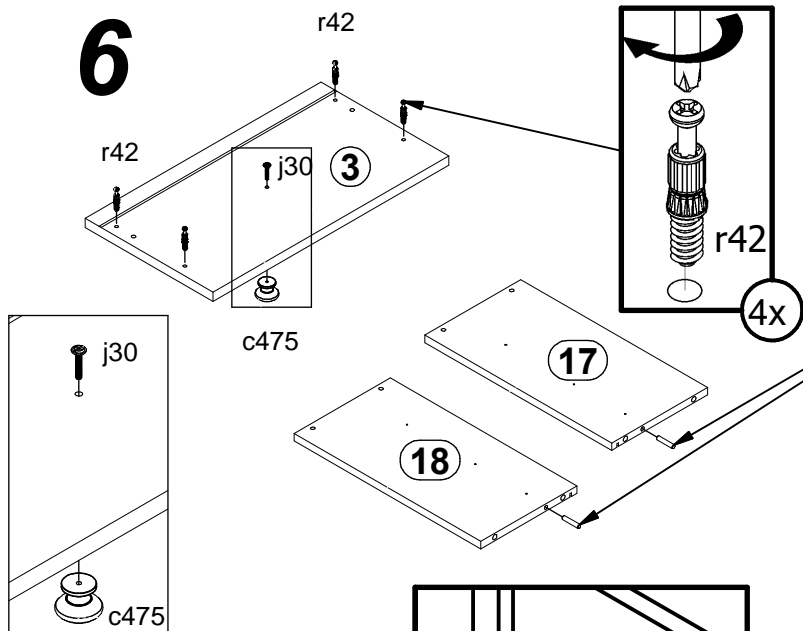
5



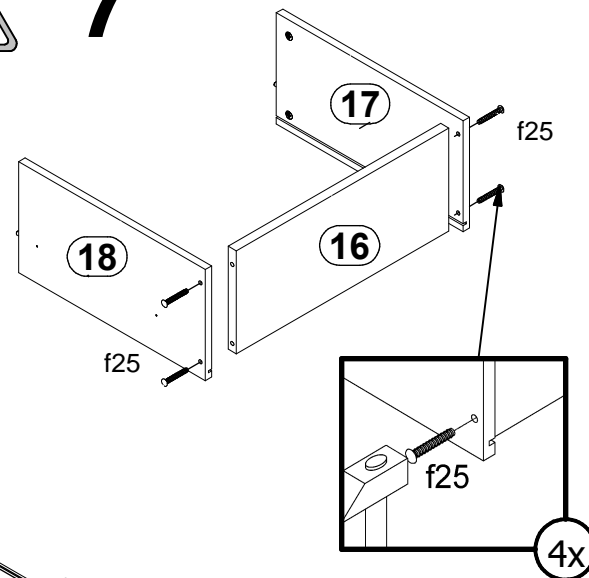
4



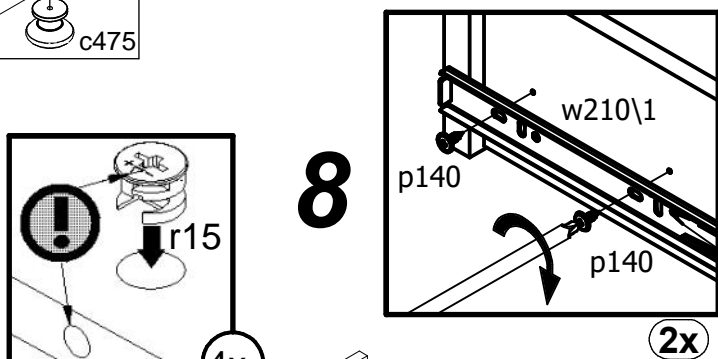
6



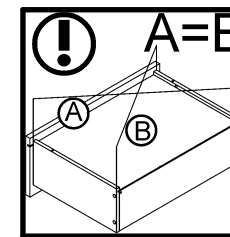
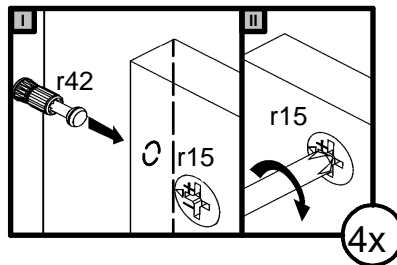
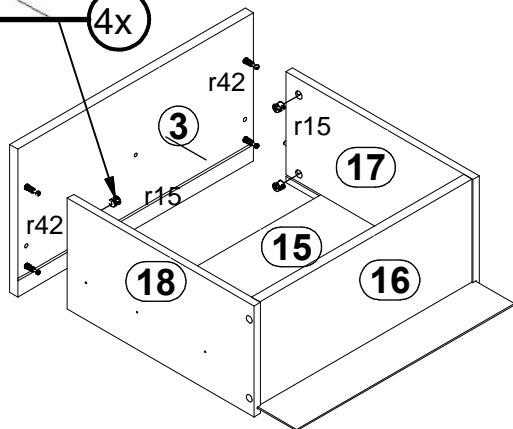
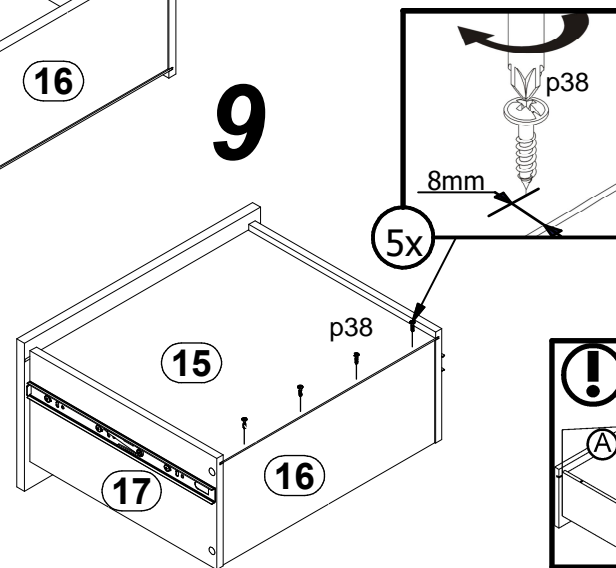
7



8

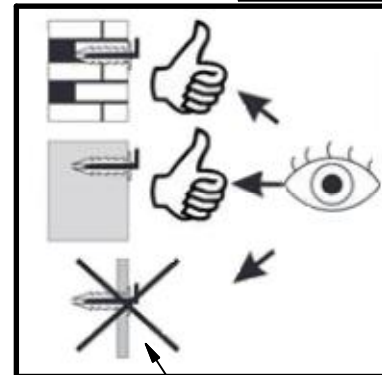
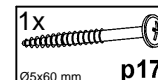
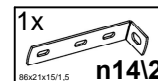
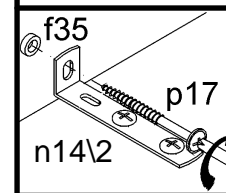
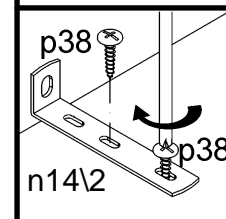
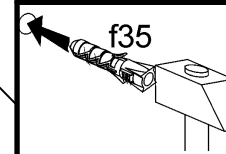
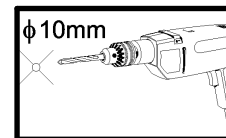
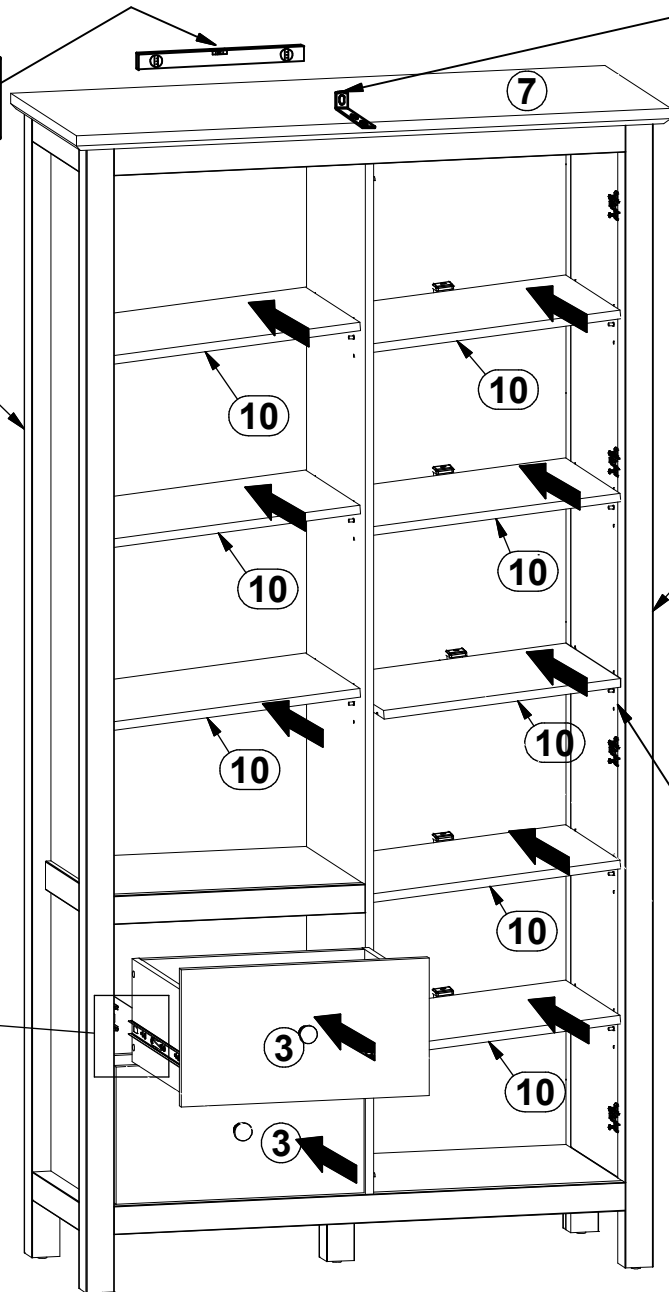
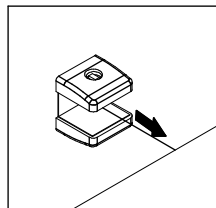


9





10



5x

4

5



10

10

10

10

10

10

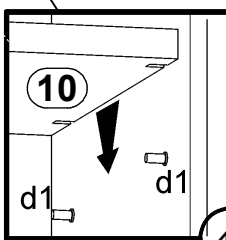
10

10

10

3

3

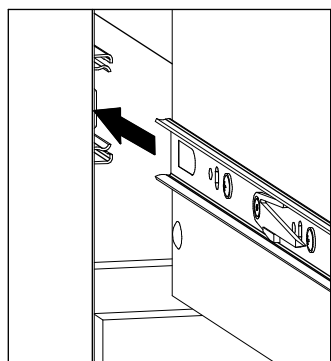


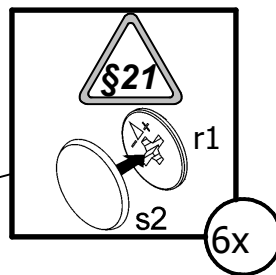
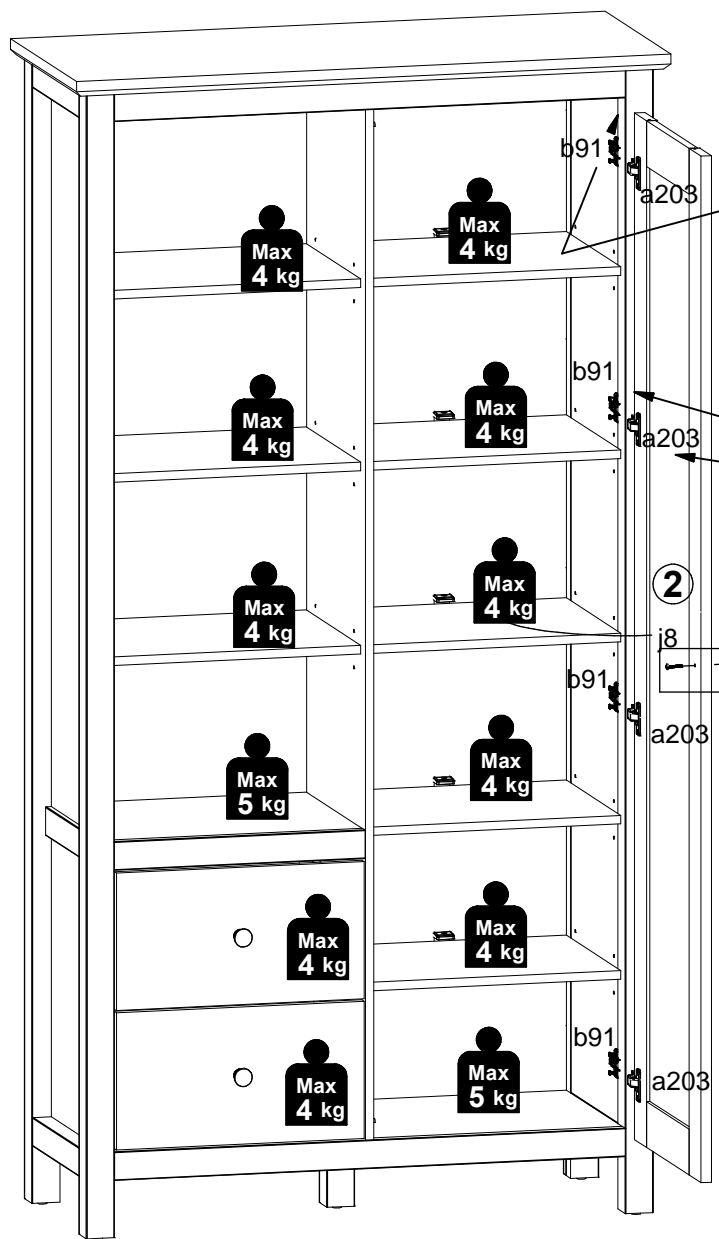
10

d1

d1

4x





11

