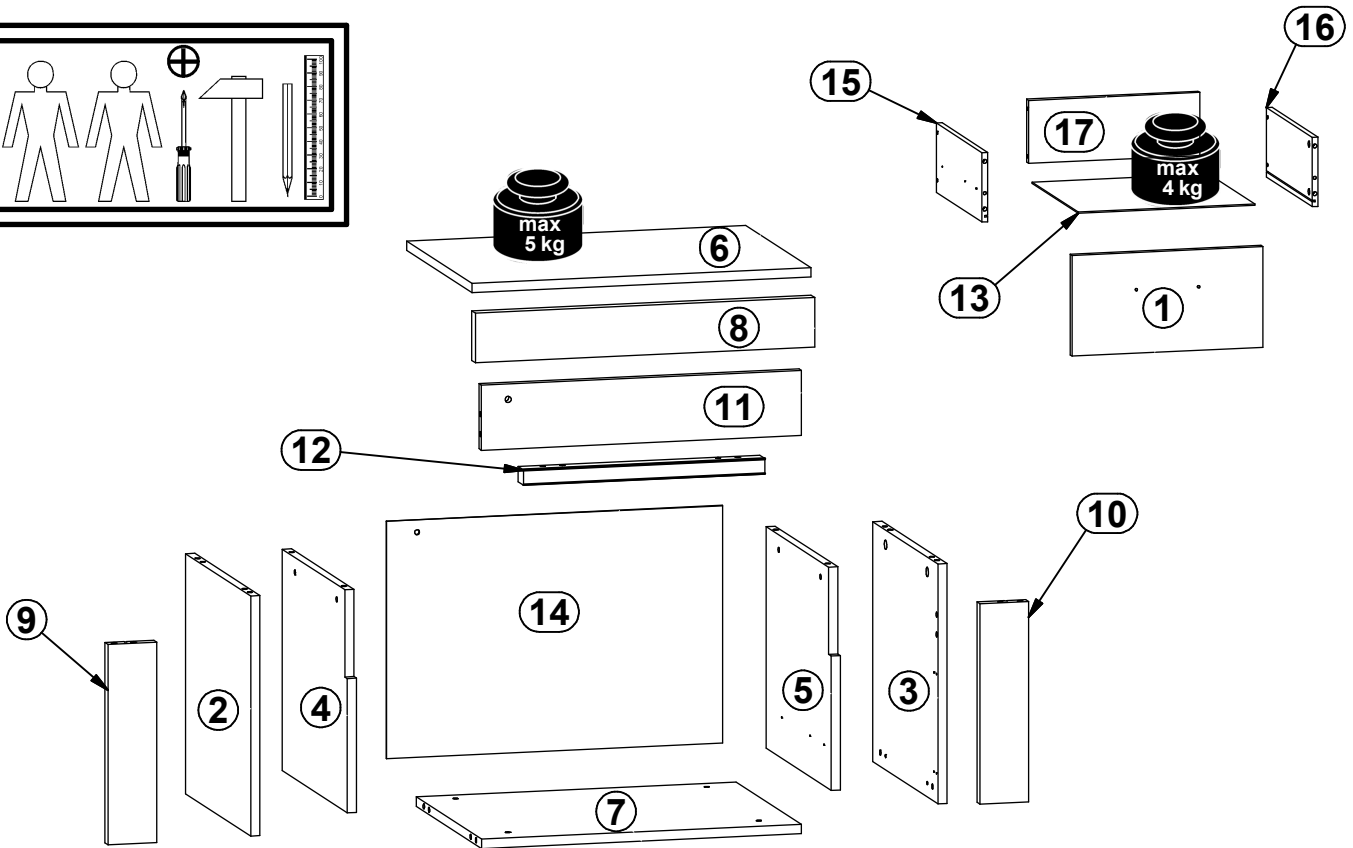
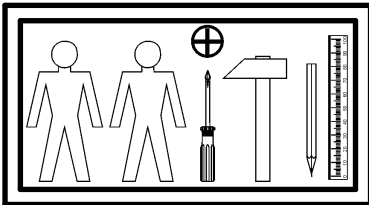
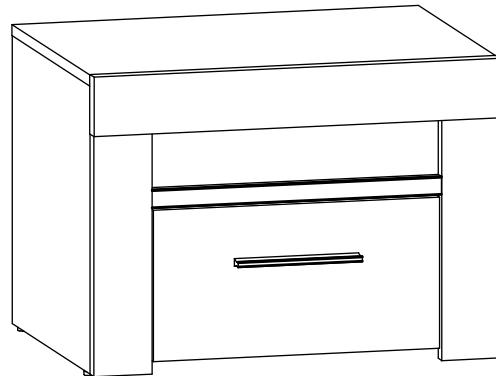
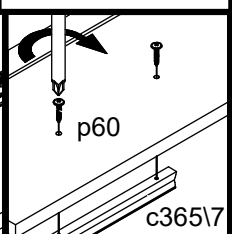
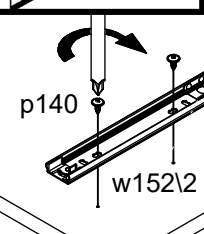
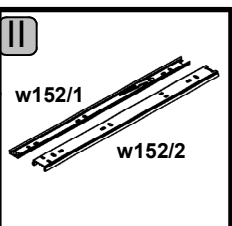
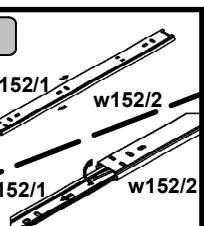
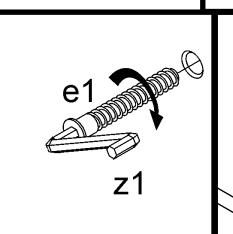
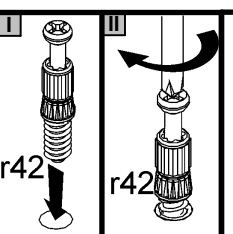
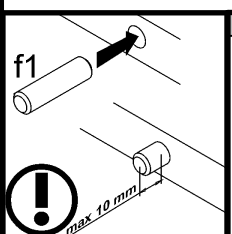
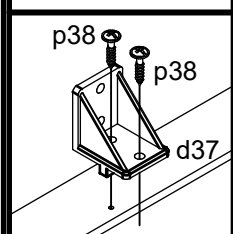
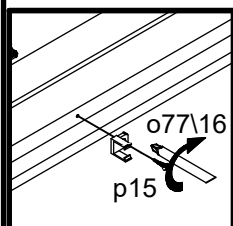
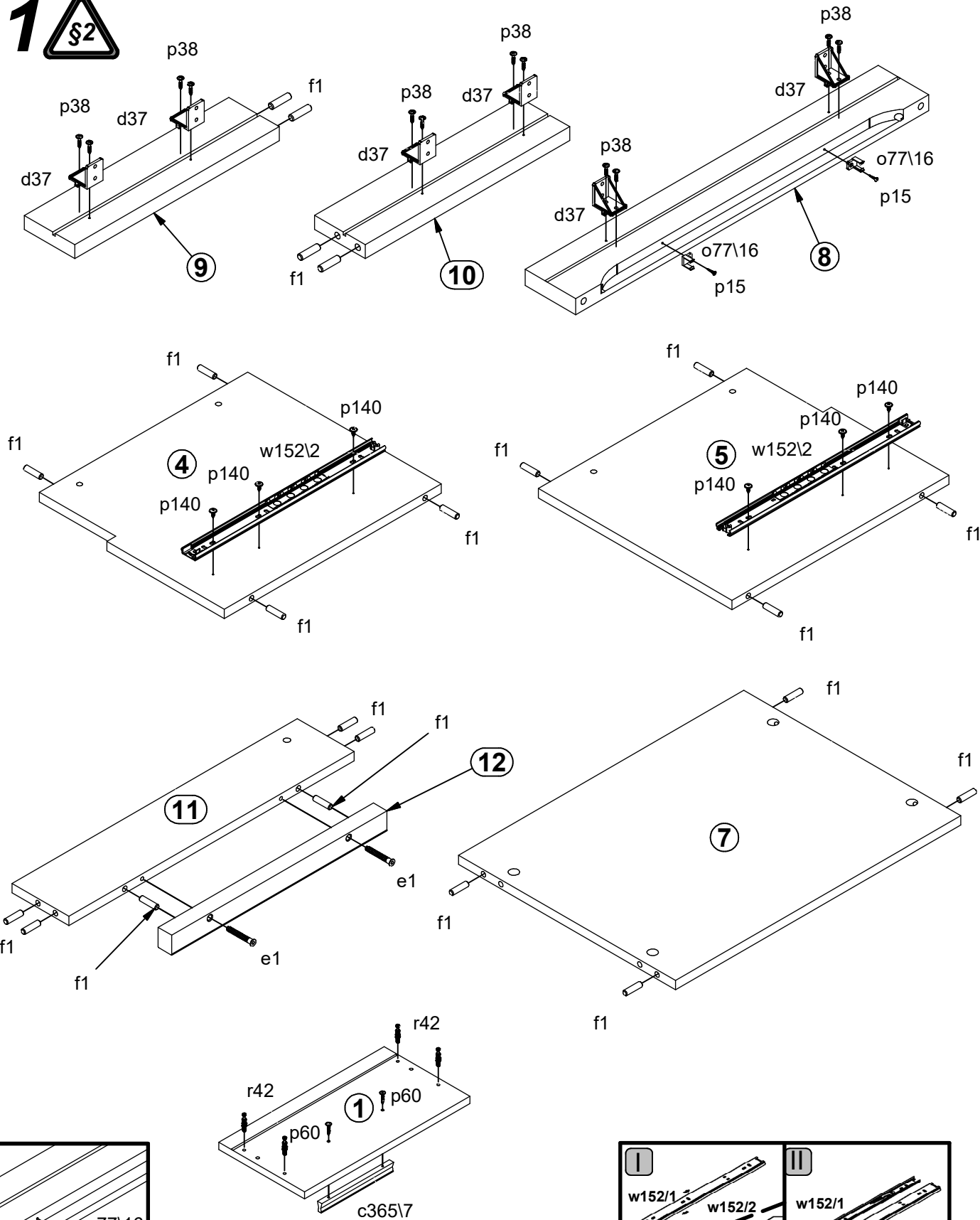


| A | B | C | D |
|----|-----------|-----|-----|
| 1 | S415-0018 | 392 | 203 |
| 2 | S415-1019 | 387 | 400 |
| 3 | S415-1020 | 387 | 400 |
| 4 | S415-1021 | 357 | 400 |
| 5 | S415-1022 | 357 | 400 |
| 6 | S415-2007 | 557 | 400 |
| 7 | S415-3021 | 526 | 400 |
| 8 | S415-5035 | 558 | 80 |
| 9 | S415-5036 | 323 | 80 |
| 10 | S415-5037 | 323 | 80 |
| 11 | S415-5038 | 526 | 105 |
| 12 | S415-5039 | 397 | 32 |
| 13 | S415-9005 | 363 | 355 |
| 14 | S415-9006 | 383 | 552 |
| 15 | ZK3-511 | 350 | 140 |
| 16 | ZK3-512 | 350 | 140 |
| 17 | ZK3-5126 | 352 | 127 |

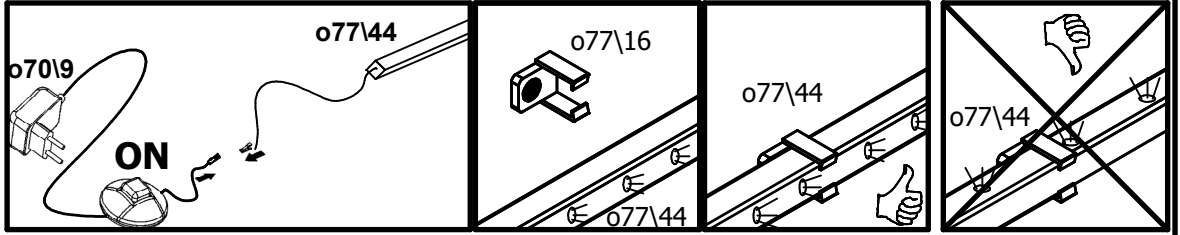
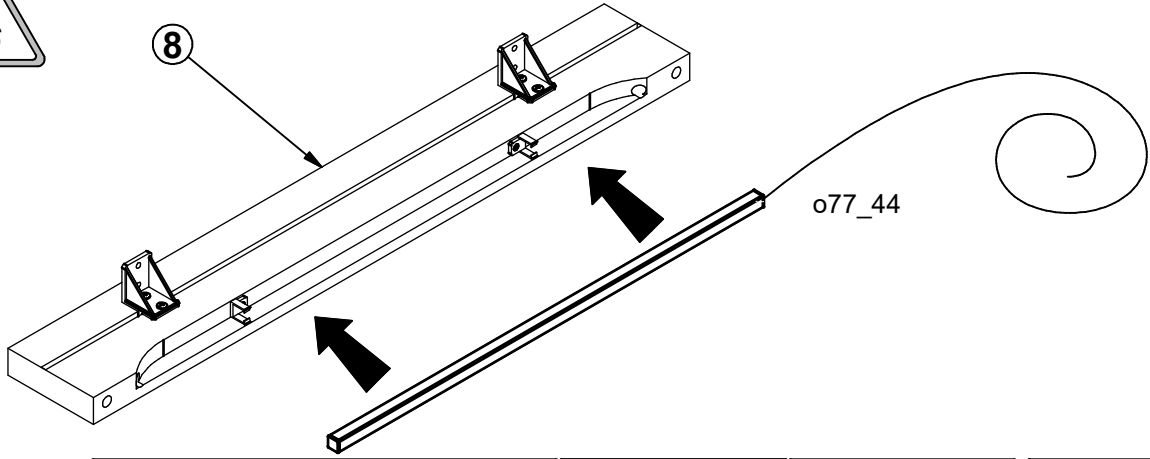


| | | | | | | | | |
|--|--------------------------------|---------------------------------|---|----------------------------------|-------------------------------------|----------------------------|-----------------------------------|-----------------------------------|
| 1x 128 mm L=170 c365/7 | 6x d37 | 2x Ø7x50 mm e1 | 26x Ø8x30 mm f1 | 4x Ø6.5x40 mm f25 | 2x Ø6x30 mm f9 | 4x k1 | 20x 1.4x20 mm l1 | 2x Ø77/16 |
| 12x Ø3.5x12 mm p140 | 2x Ø2.5x13 mm p15 | 28x Ø3.5x16 mm p38 | 2x Ø4x22 mm p60 | 8x Ø15x12 mm #16 r1 | 4x Ø12x10.5 mm #12 r15 | 12x 20/11 r42 | 2x 350/580 mm w152/1 | 2x 350/580 mm w152/2 |
| 1x 4 mm z1 | 1x n26 | 2x s1 | 1x LED 10x10 mm L=395 mm Ø77/44 | 1x Ø70/9 | | | | |

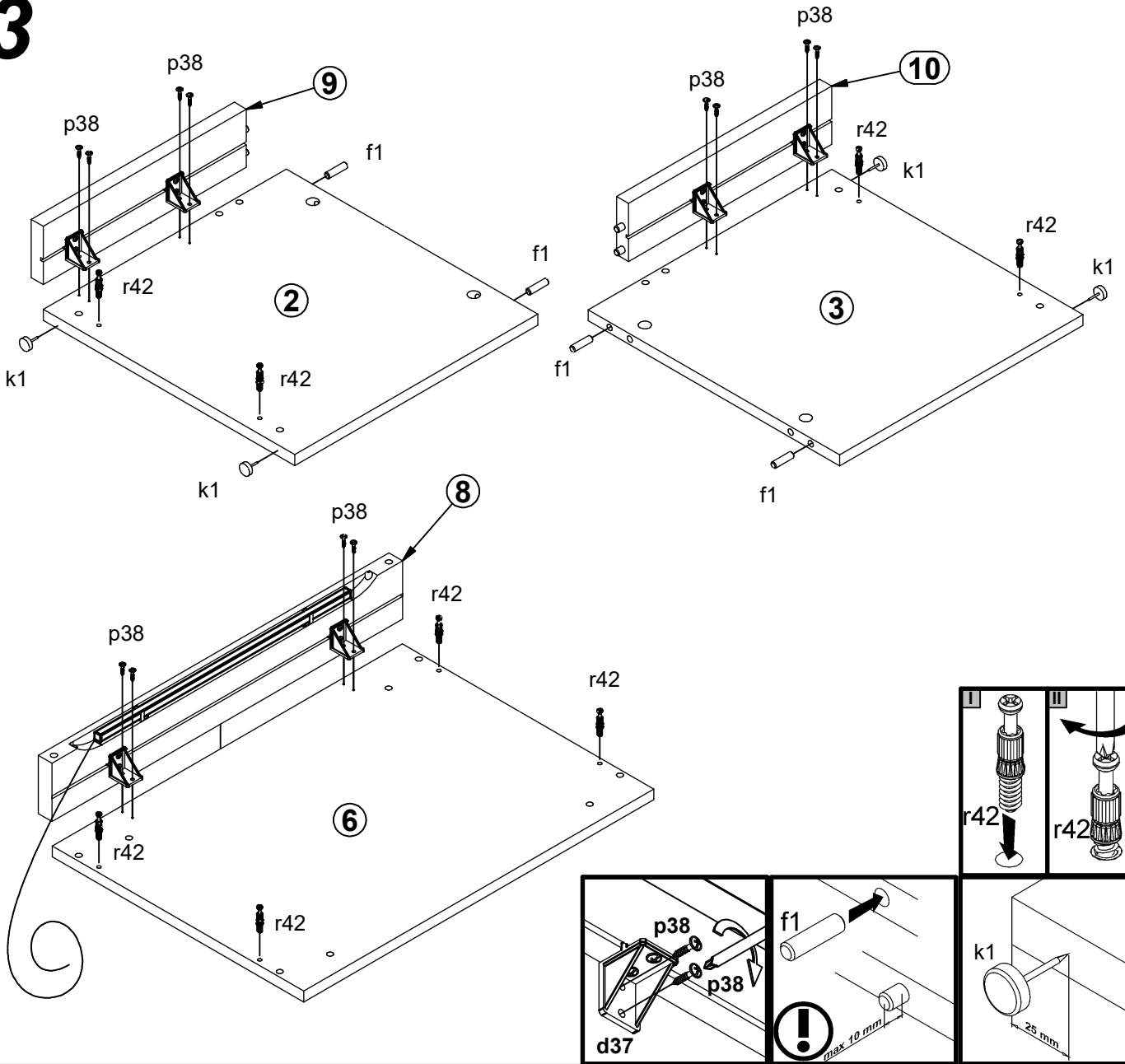
1 §2



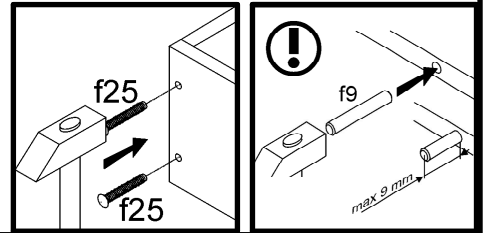
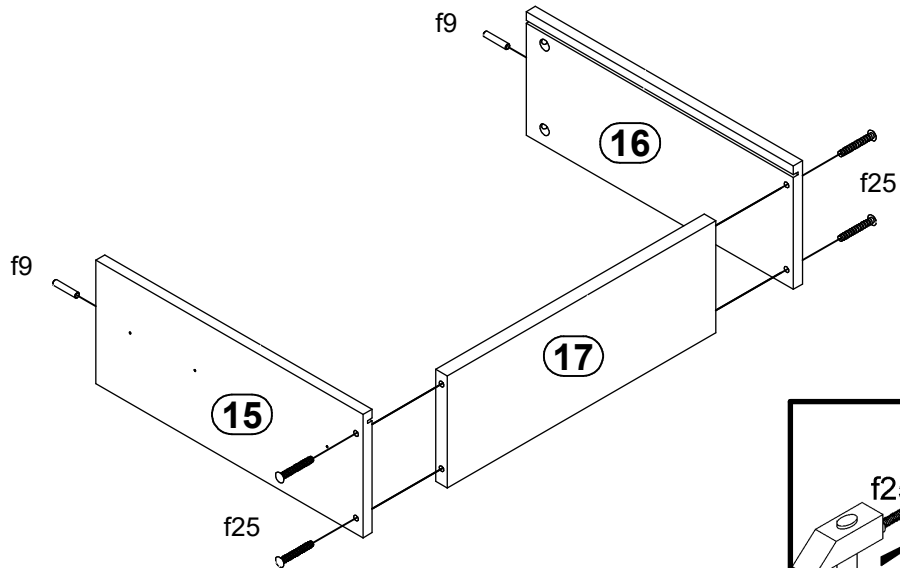
2



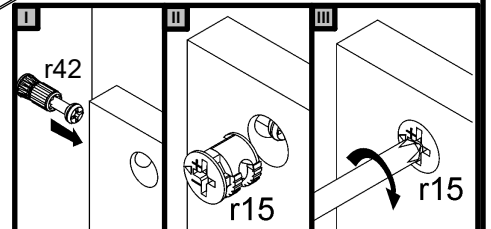
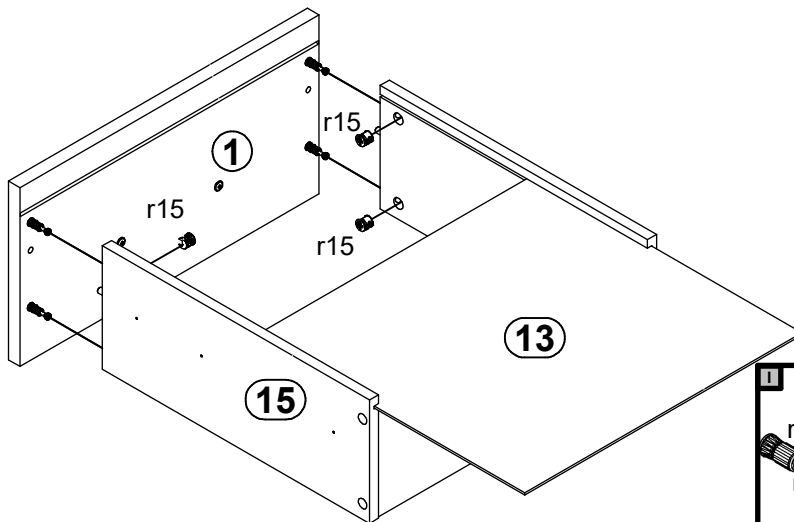
3



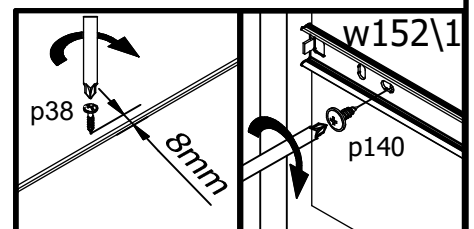
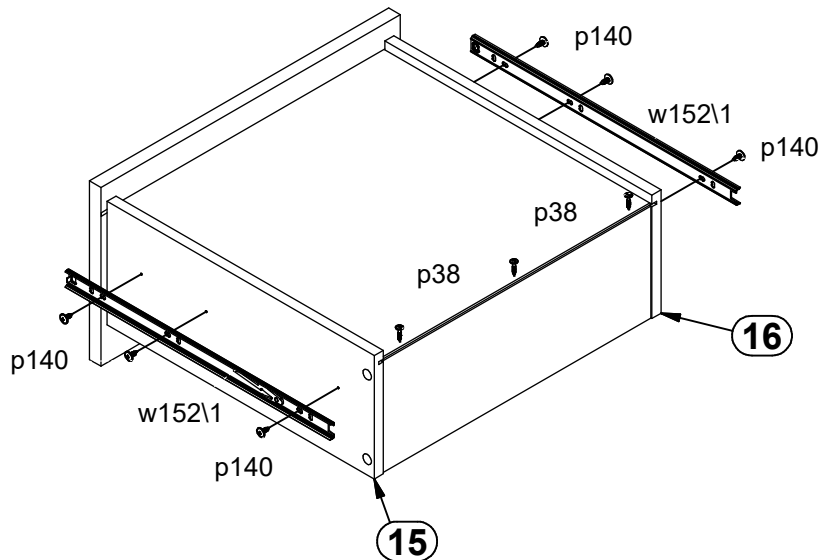
4



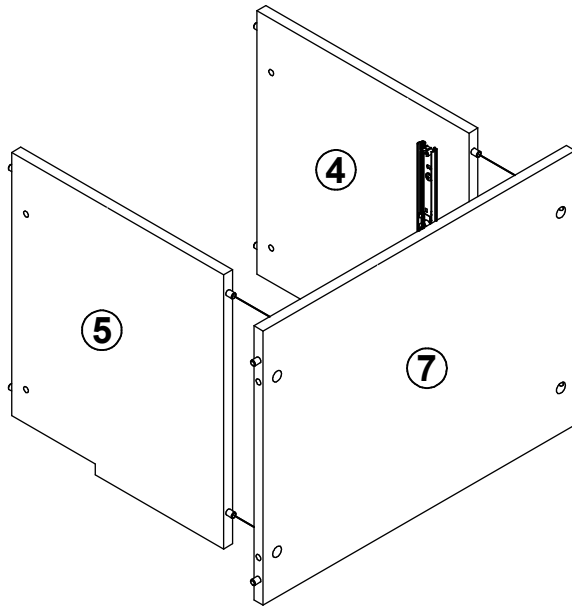
5



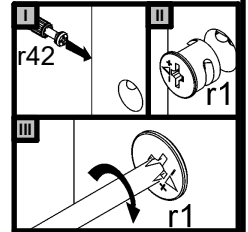
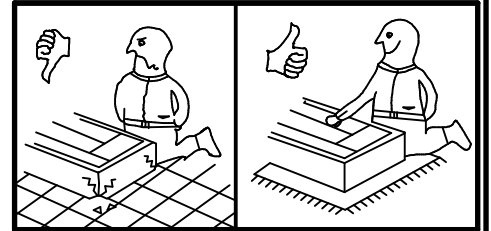
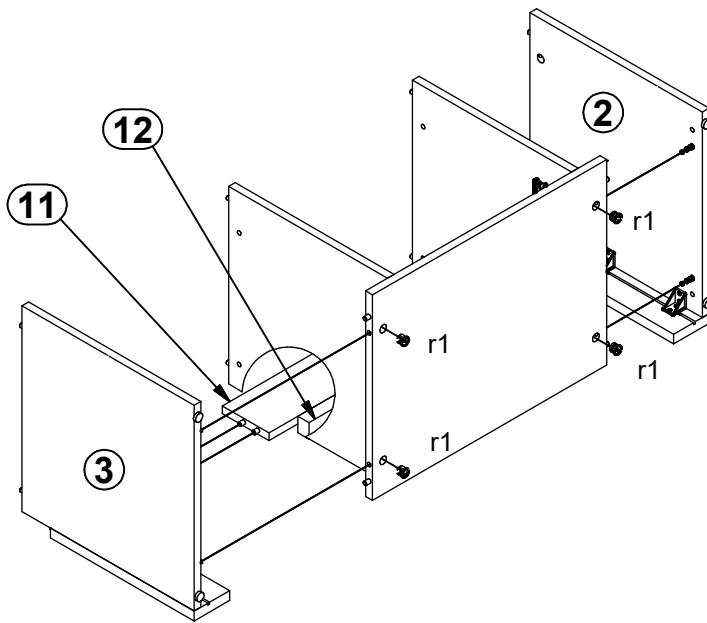
6



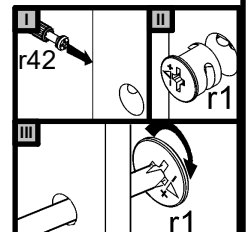
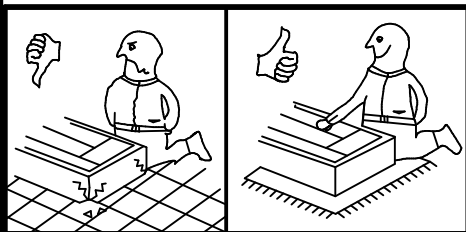
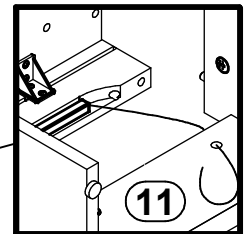
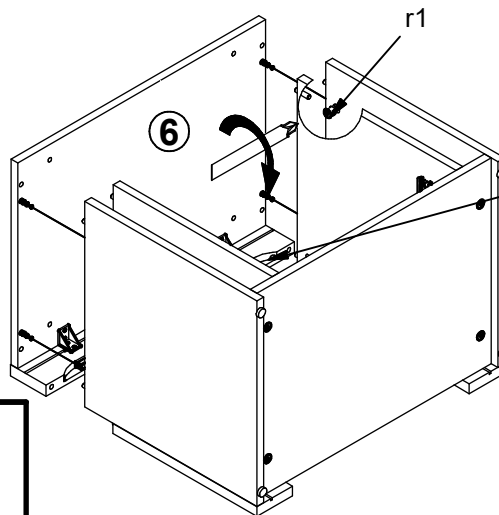
7



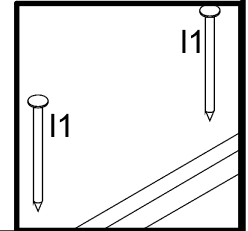
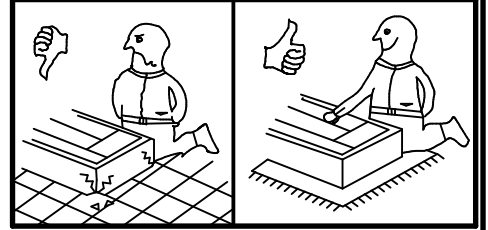
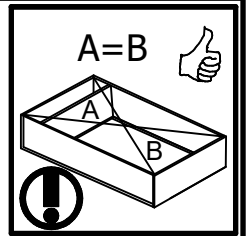
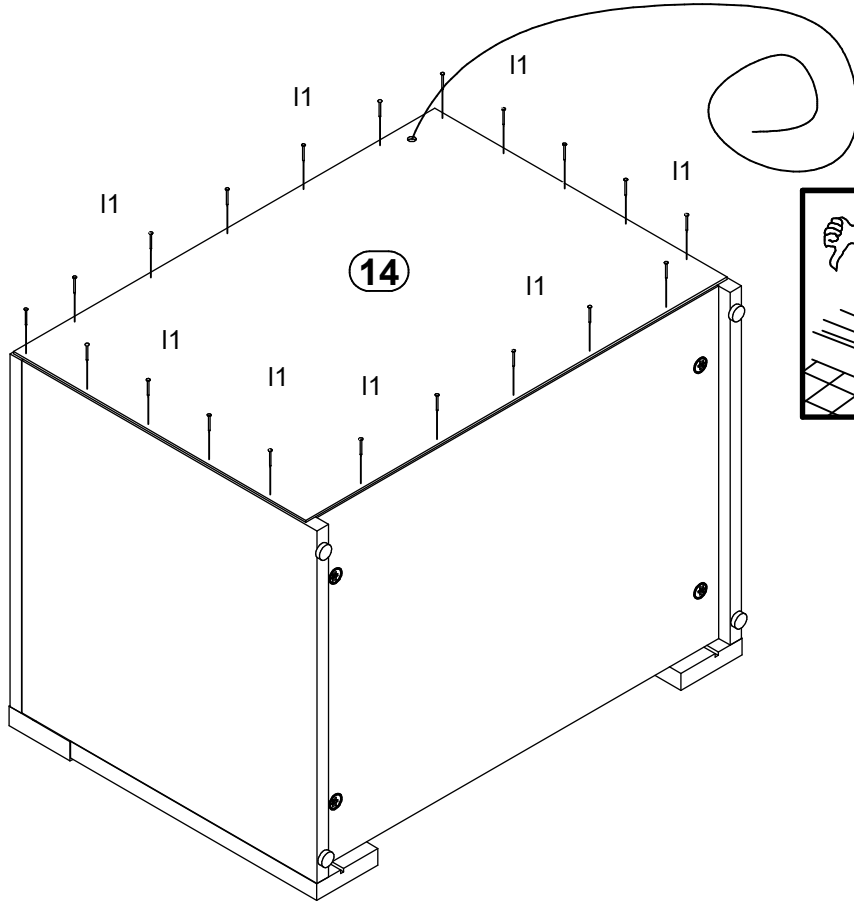
8



9



10



11

