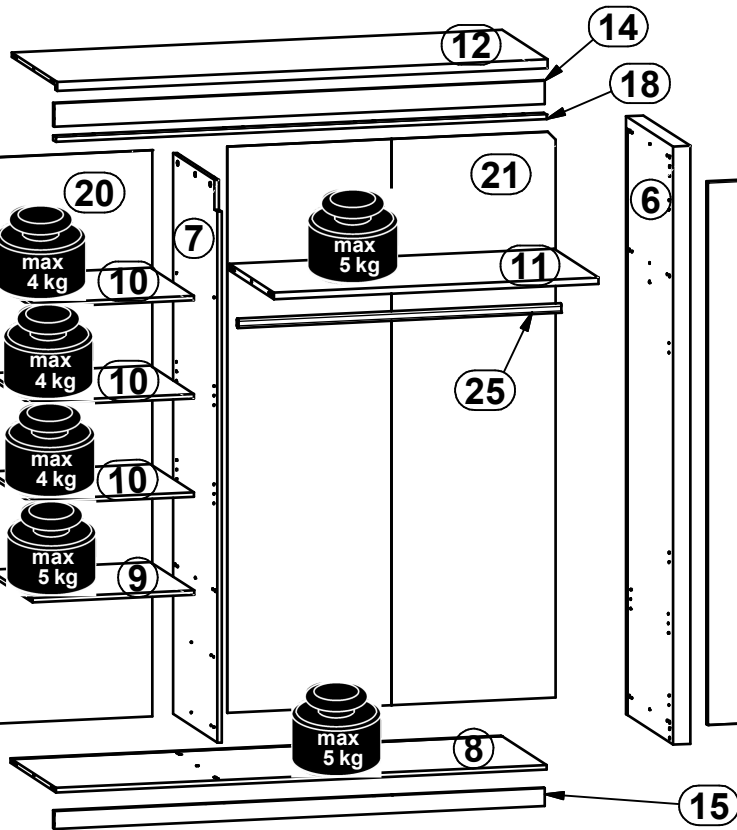
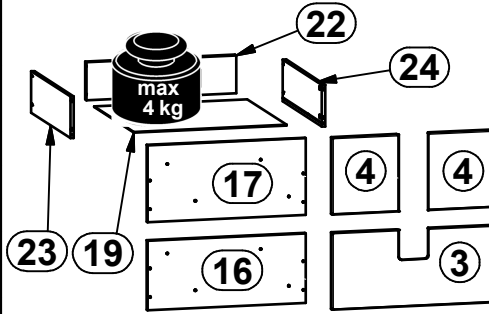
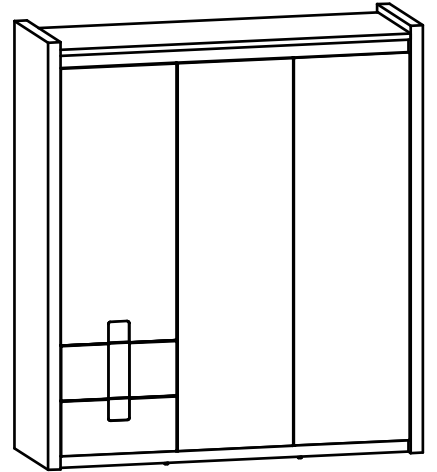
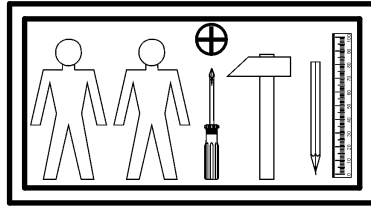


**A**

# ALAMEDA

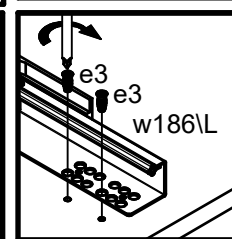
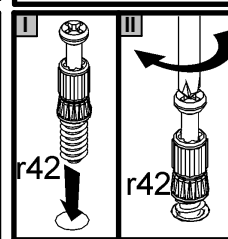
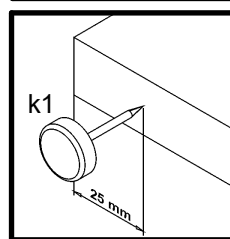
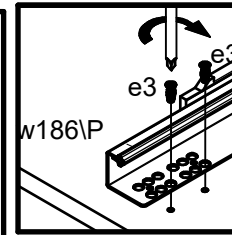
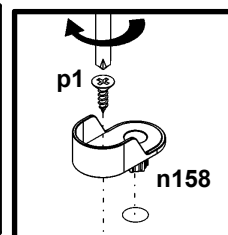
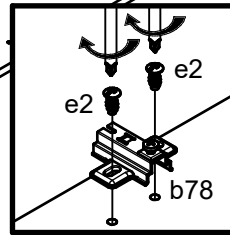
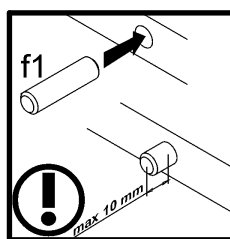
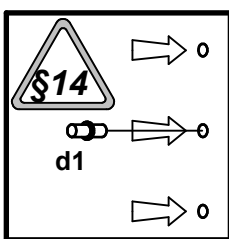
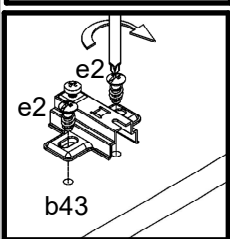
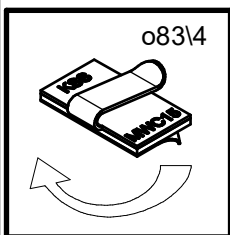
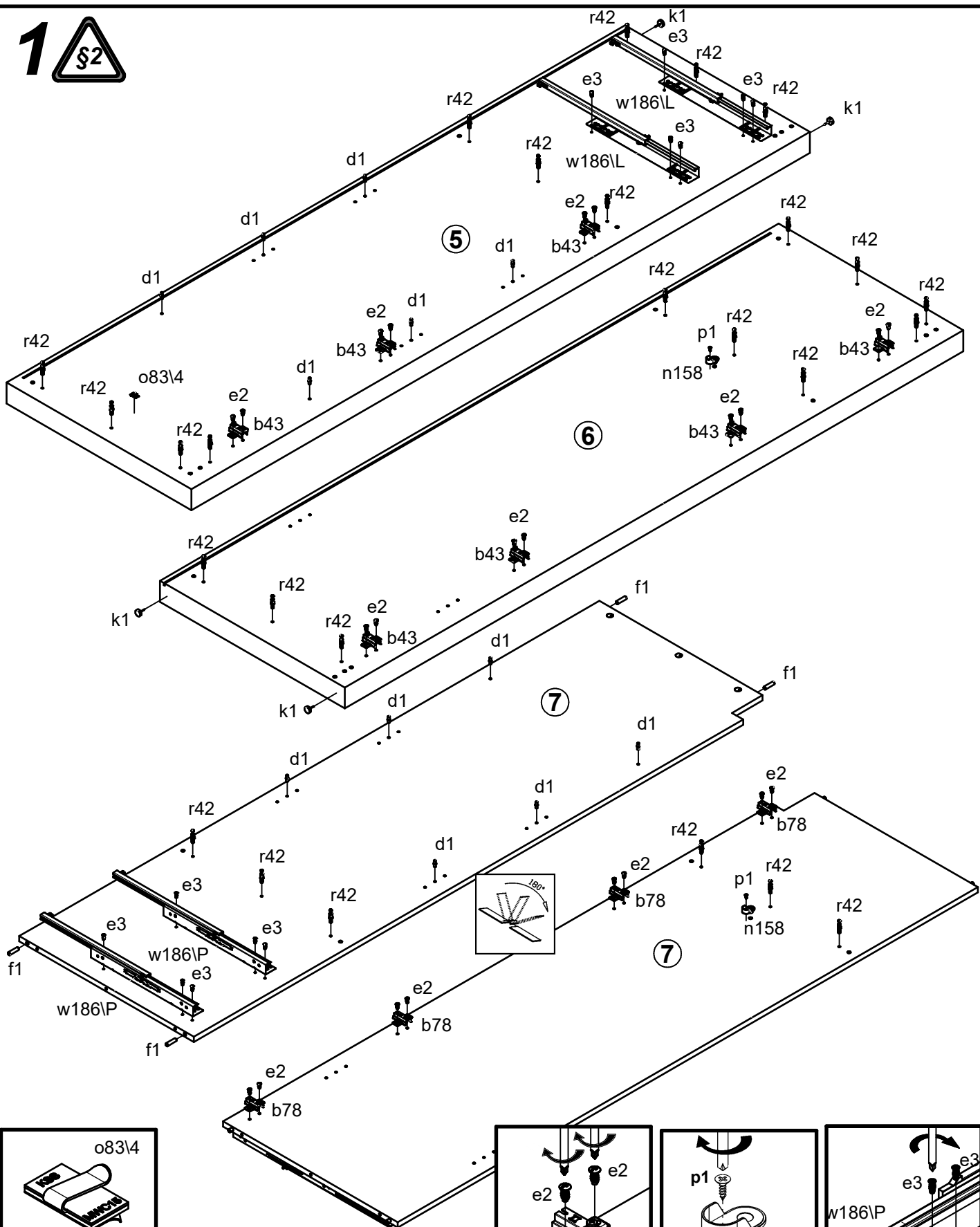
**S420-SZF3D2S**

A	B	C	D	
1	S420-0025	1824	556	5/5
2	S420-0026	1302	556	4/5
3	S420-0027	556	258	4/5
4	S420-0028	228	258	4/5
5	S420-1027	2009	600	1/5
6	S420-1028	2009	600	1/5
7	S420-1029	1884	567	4/5
8	S420-3030	1680	583	2/5
9	S420-3031	553	556	2/5
10	S420-3032	552	556	3/5
11	S420-3033	1112	567	2/5
12	S420-3034	1680	583	2/5
13	S420-4009	200	150	3/5
14	S420-4044	1680	78	2/5
15	S420-4045	1680	60	2/5
16	S420-4046	541	233	3/5
17	S420-4047	541	258	3/5
18	S420-5015	1680	37	2/5
19	S420-9018	524	505	2/5
20	S420-9019	1902	565	4/5
21	S420-9307	1902	1125	4/5
22	ZQ6-5145	513	127	3/5
23	ZQ6-515	500	140	3/5
24	ZQ6-516	500	140	3/5
25	dr-1107	1107	30	2/5

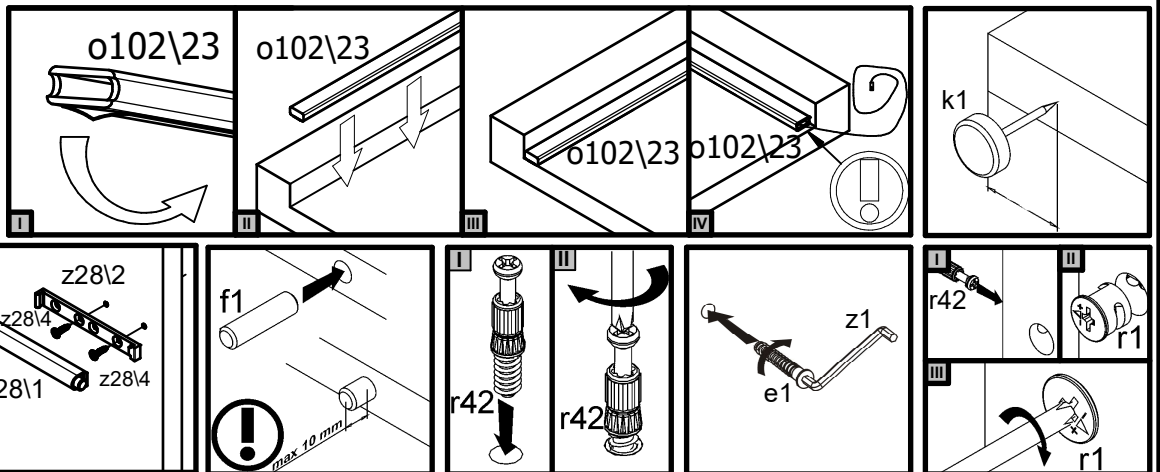
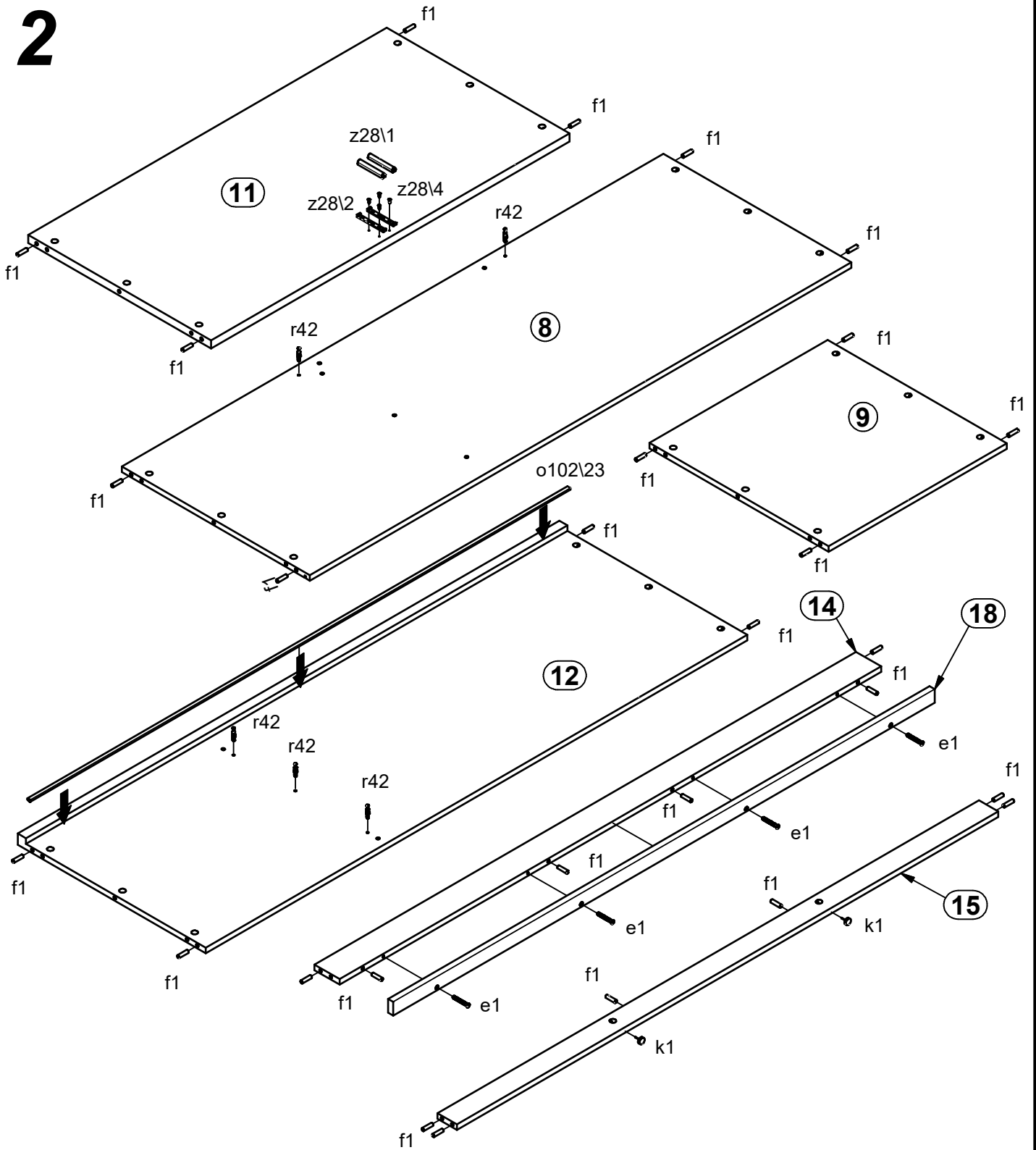


3x  a133	4x  a159	7x  a160	7x  b43	4x  b78	12x  d1	7x  e1	22x  e2	12x  e3
32x  f1	8x  f25	6x  k1	13x  l2	9x  n108	2x  n158	1x  o7017	1x  o8314	1x  o102123
2x  p1	12x  p8	2x  p25	2x  p35	9x  p38	22x  p51	26x  p55	31x  r1	8x  r15
39x  r42	2x  t34	2x  w186L	2x  w186P	2x  z281	2x  z282	2x  z283	6x  z284	4x  s1
15x  s2	1x  z1	1x  n26						

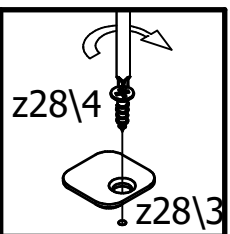
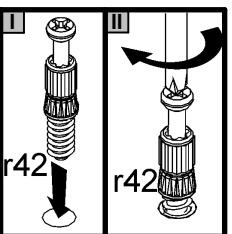
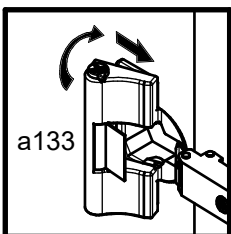
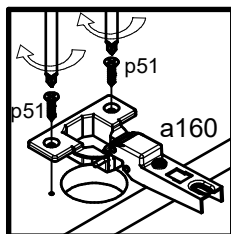
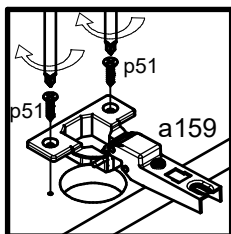
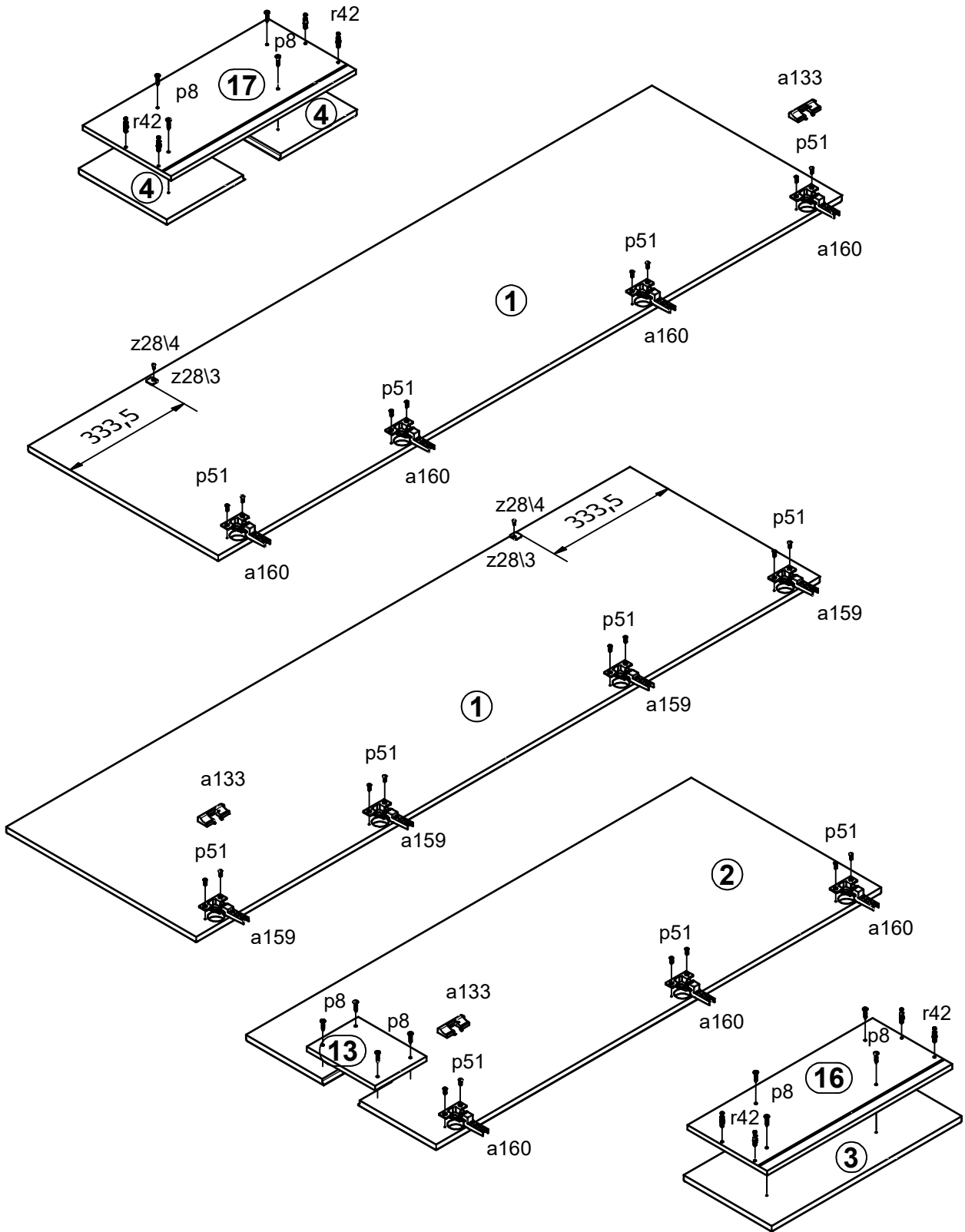
1 



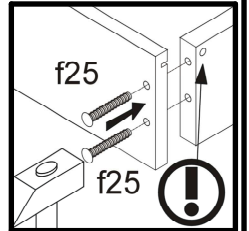
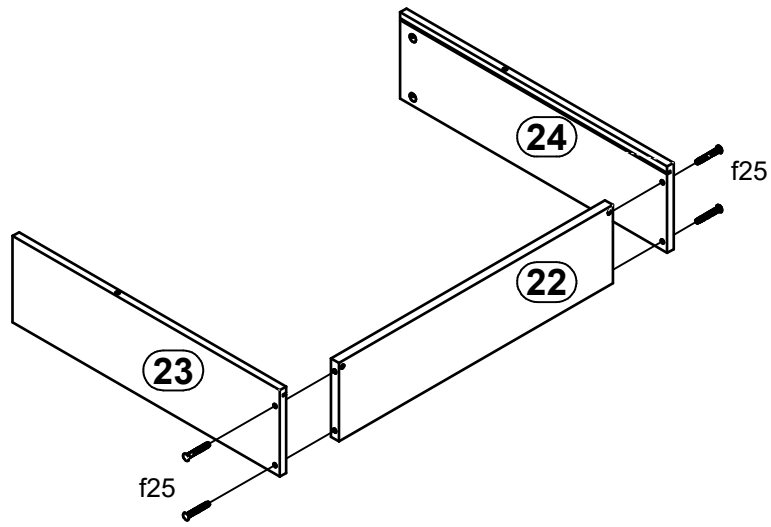
# 2



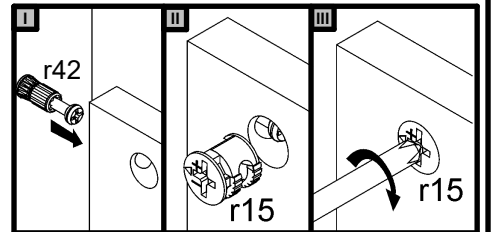
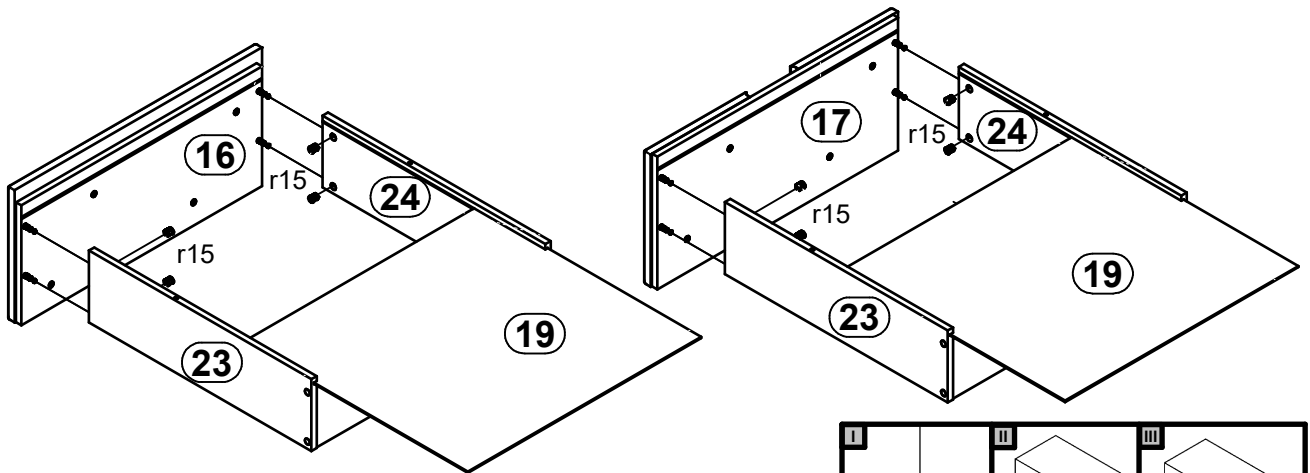
# 3



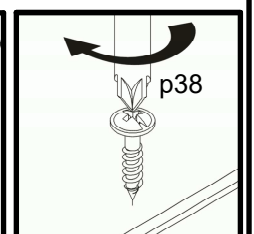
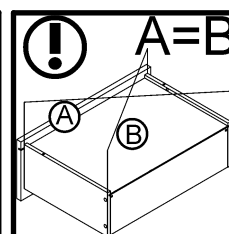
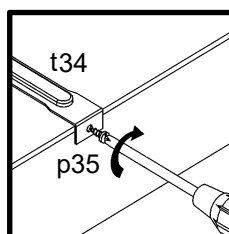
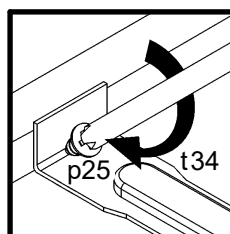
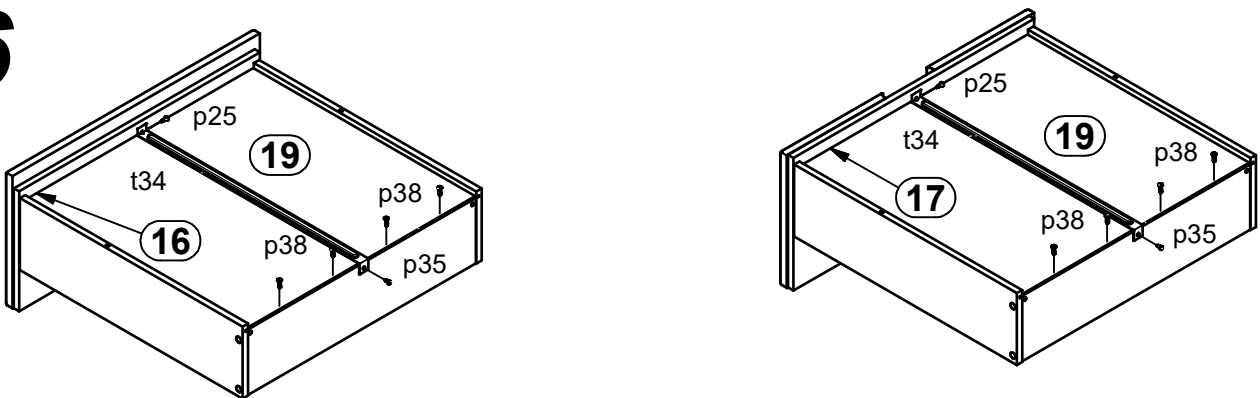
# 4



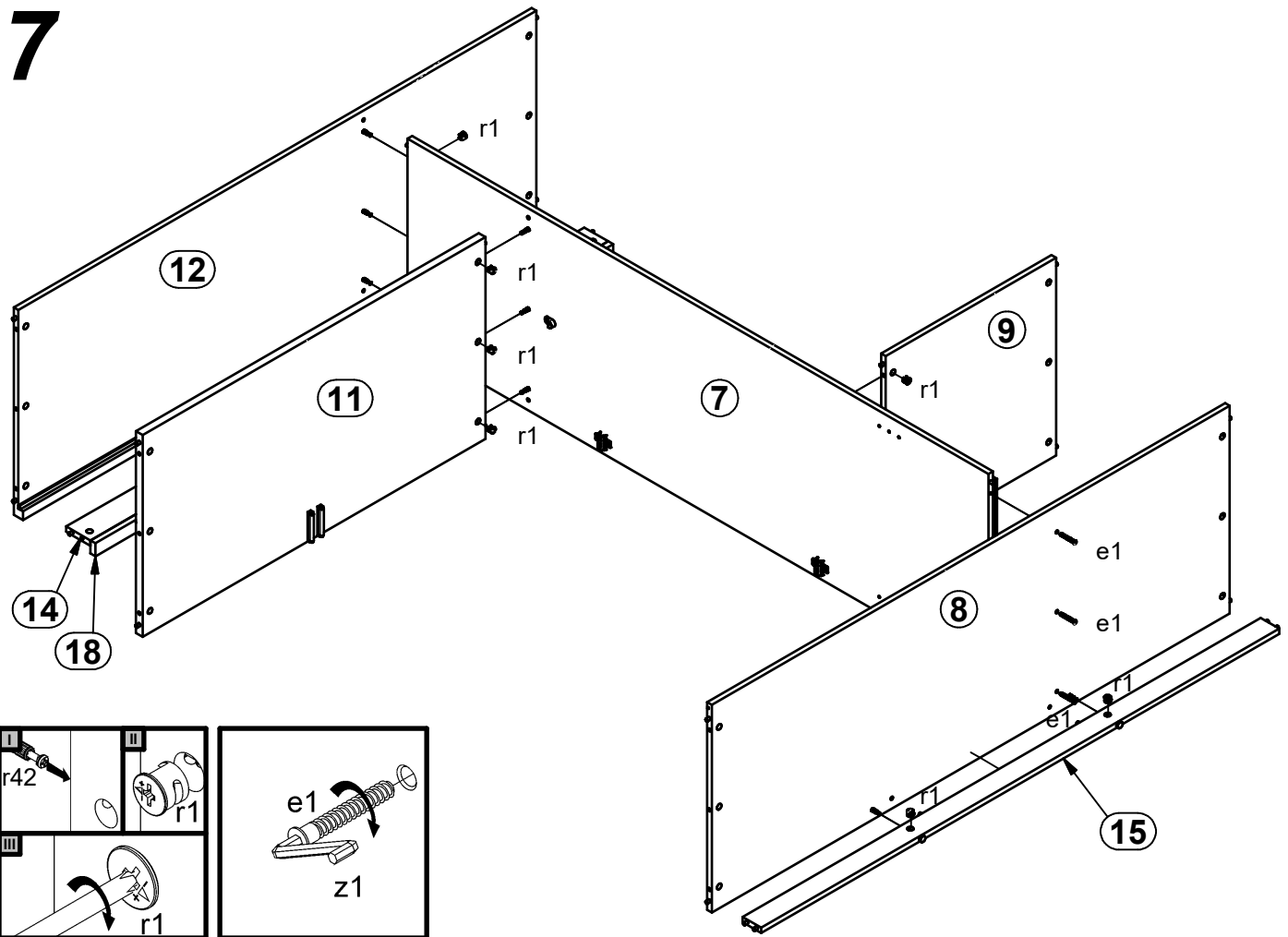
# 5



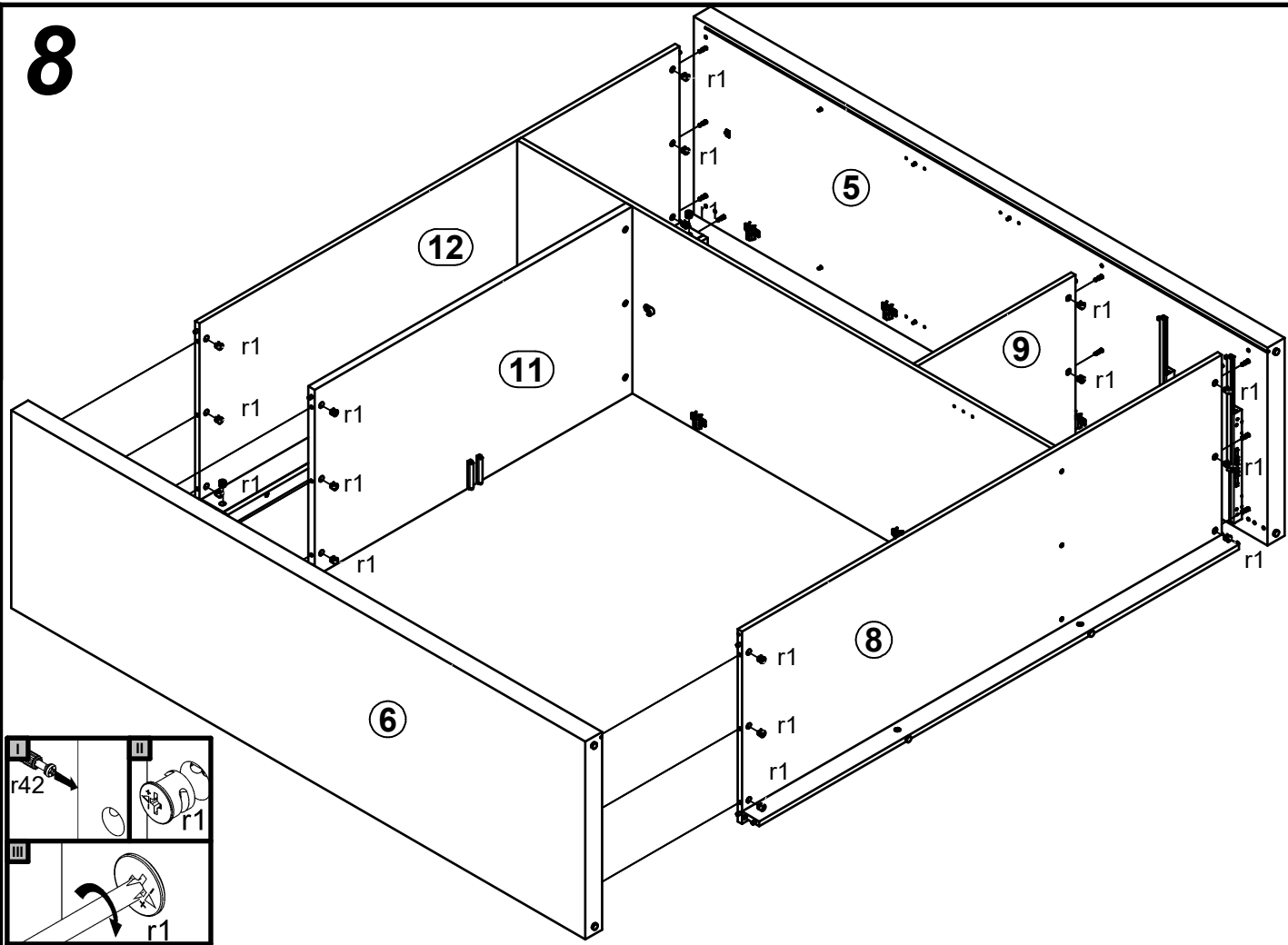
# 6



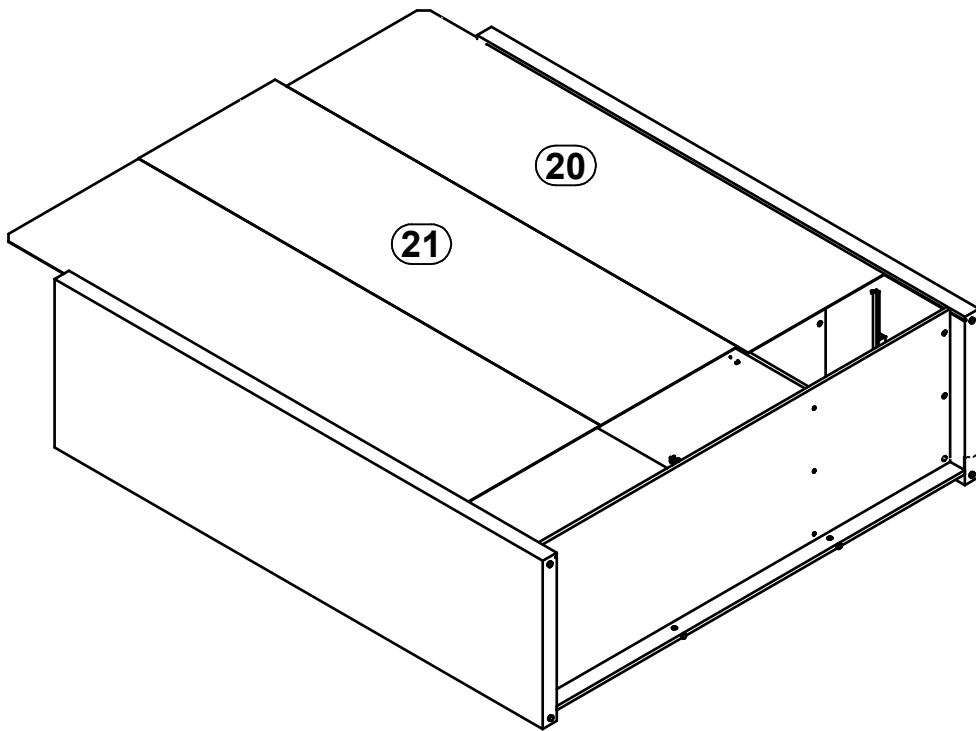
# 7



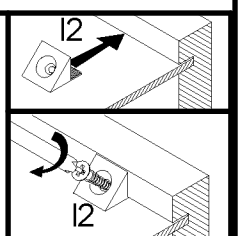
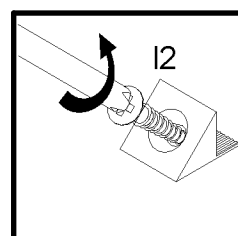
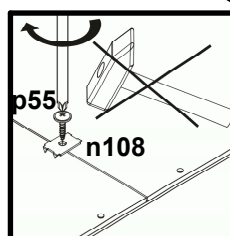
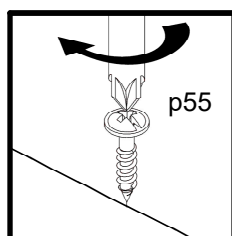
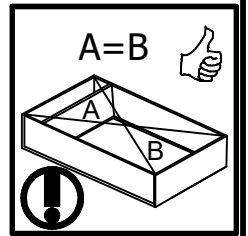
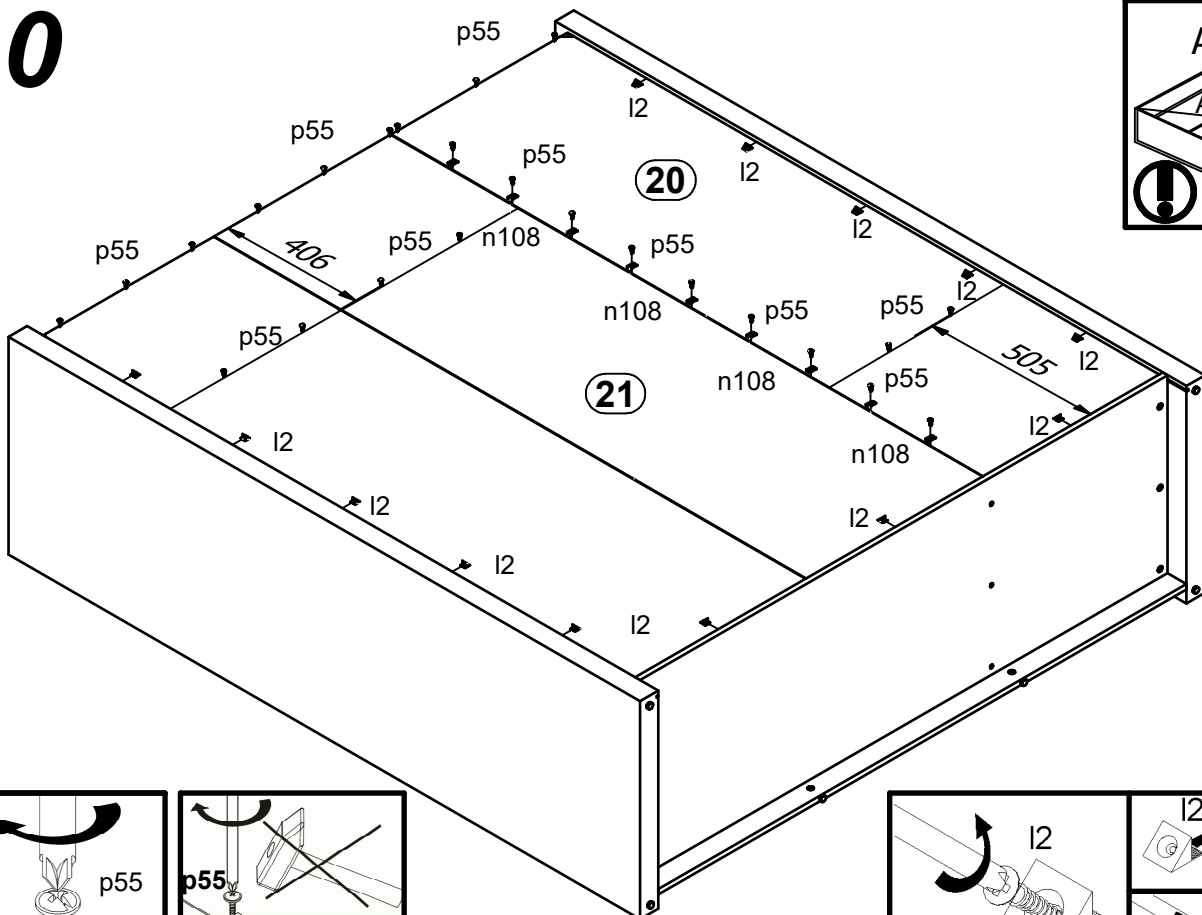
# 8



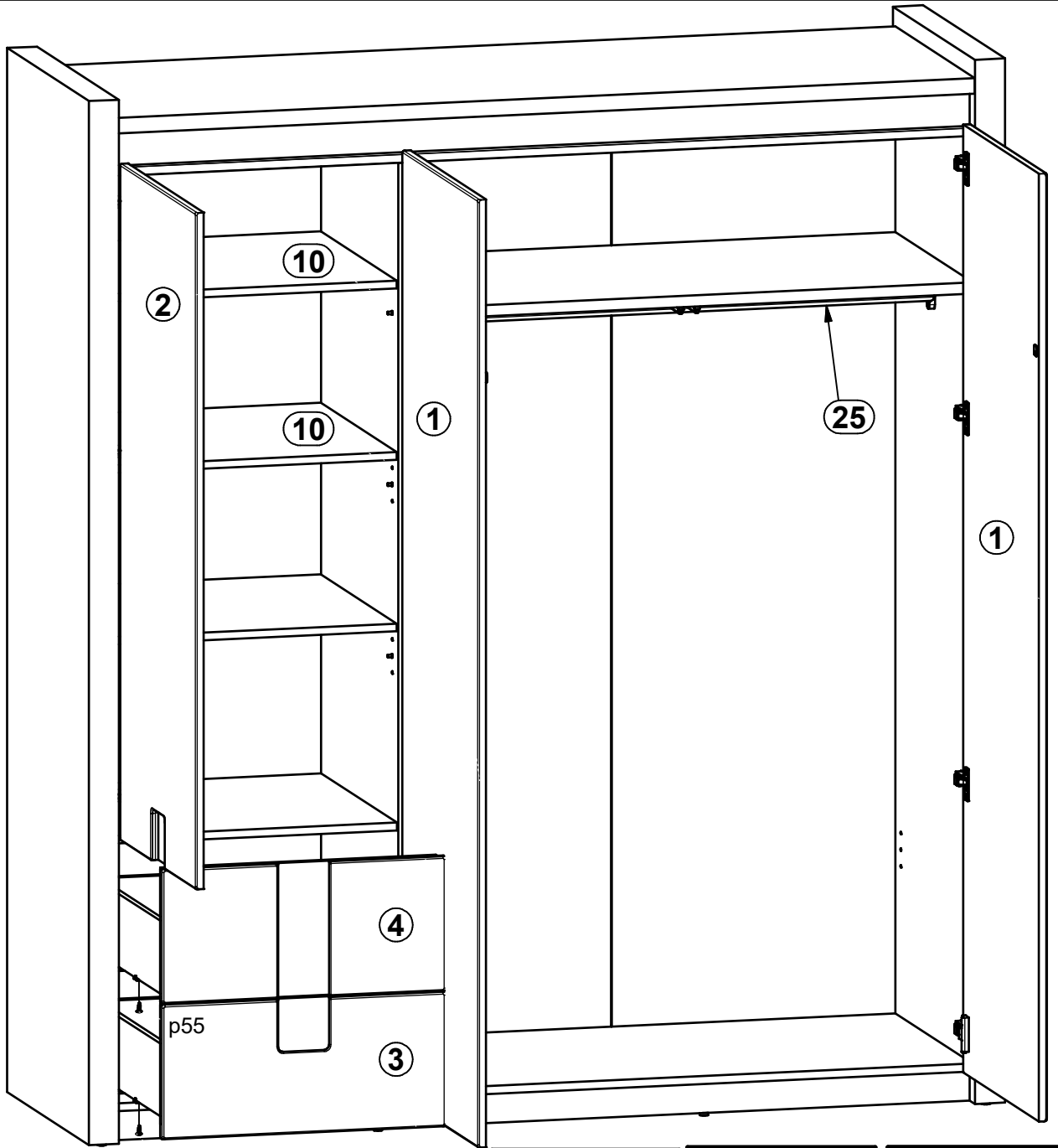
# 9



# 10



# 11



p55

