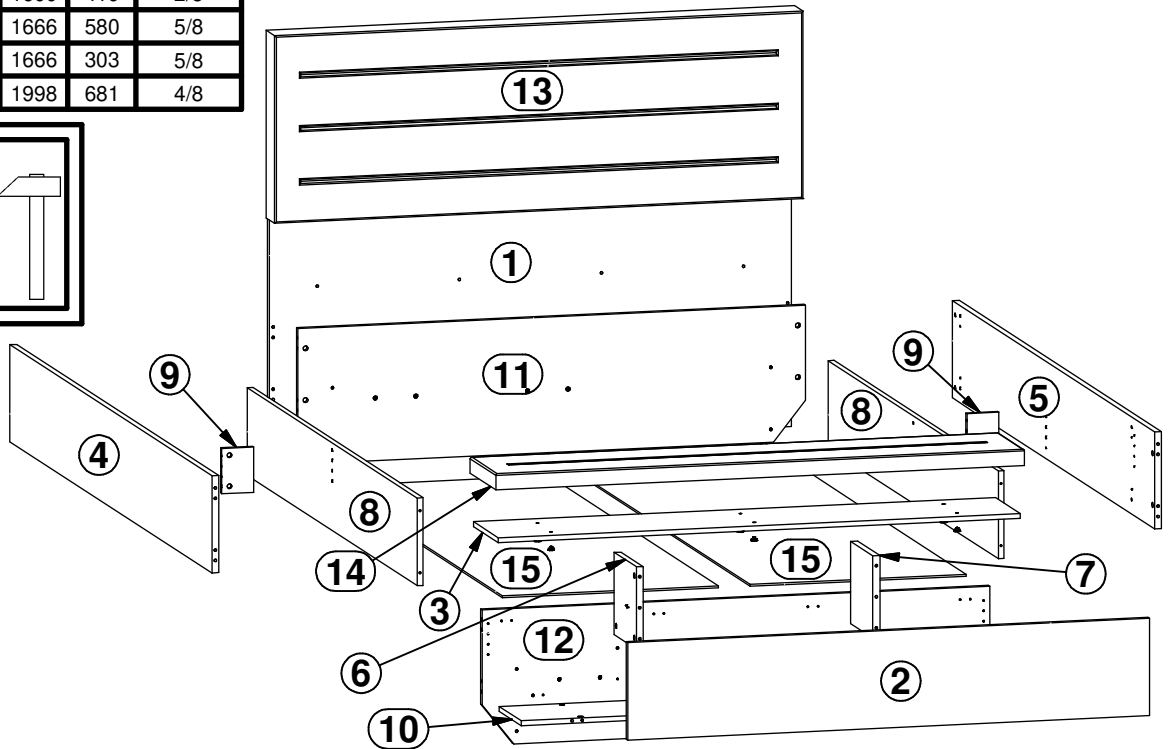
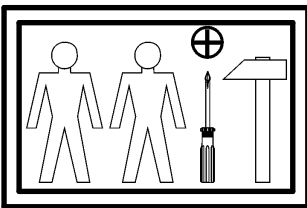
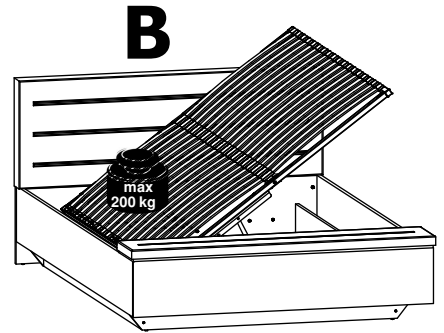
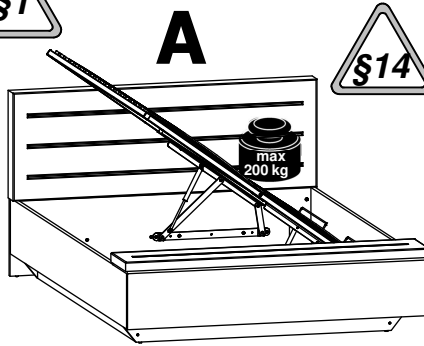
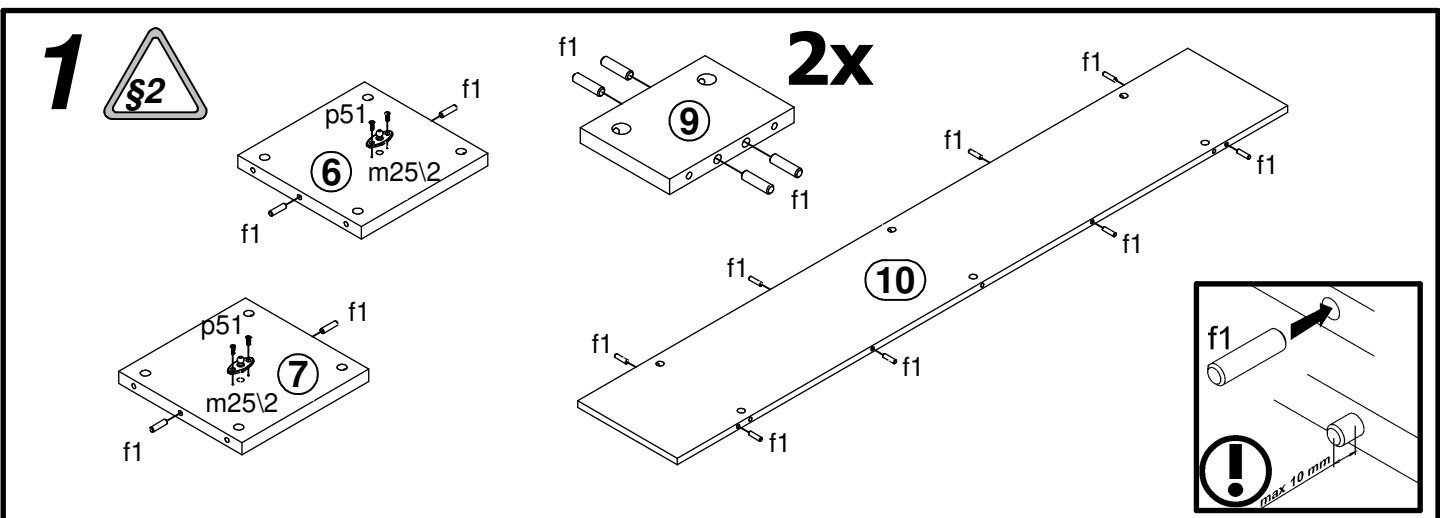


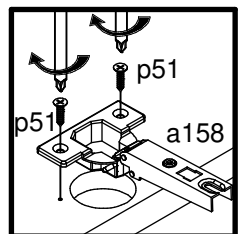
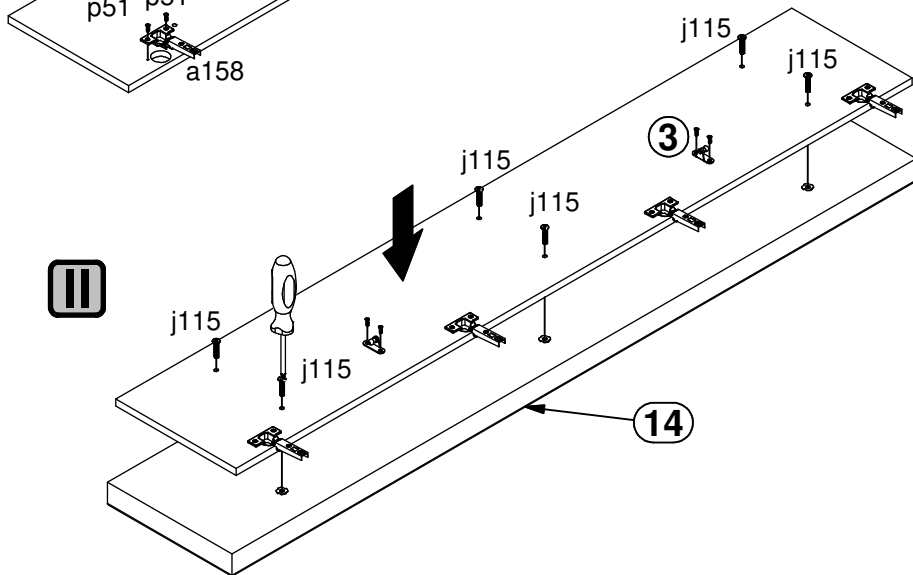
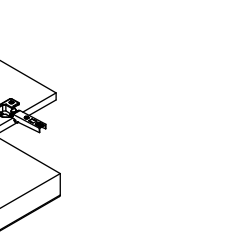
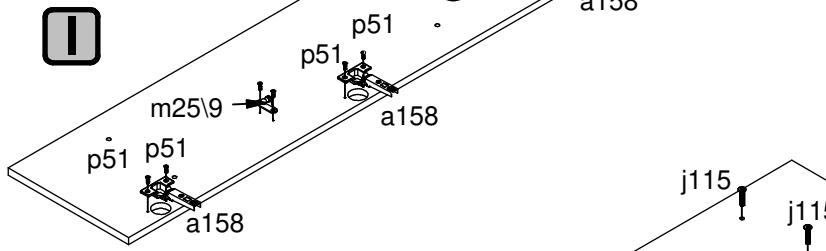
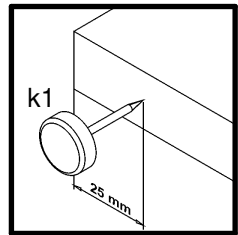
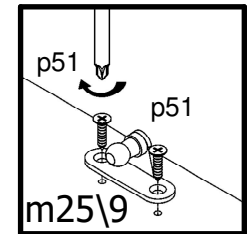
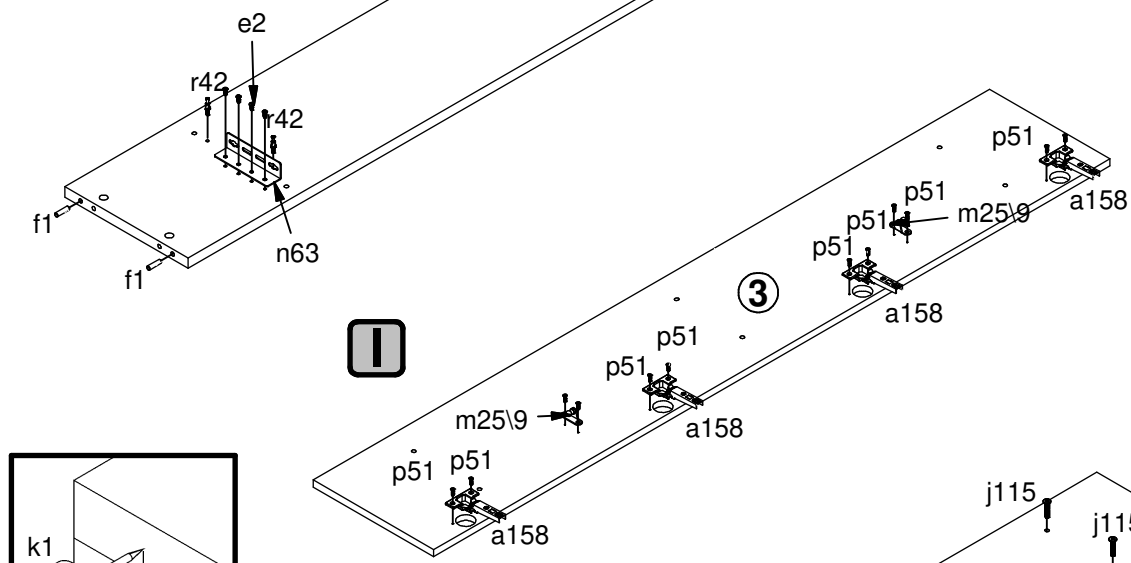
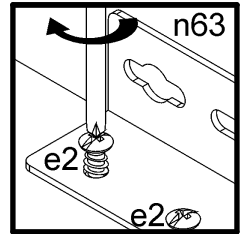
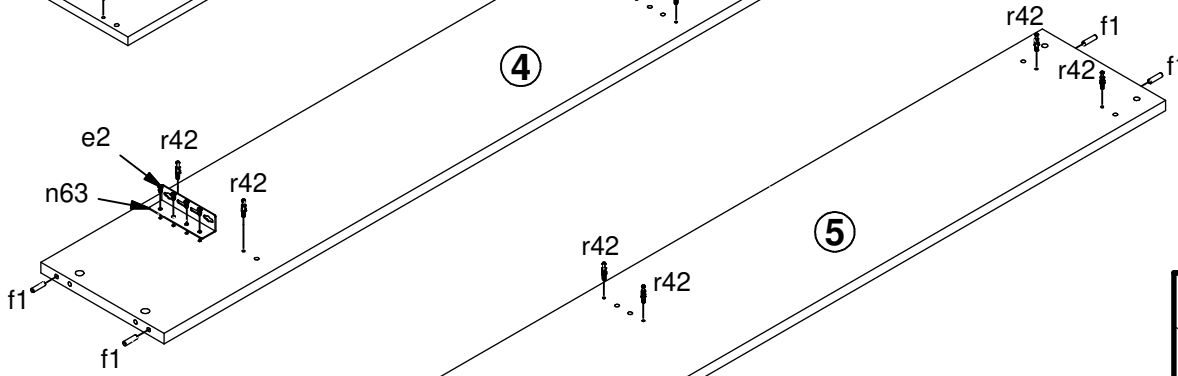
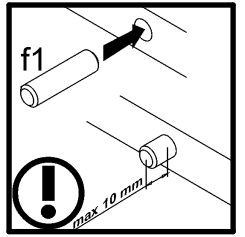
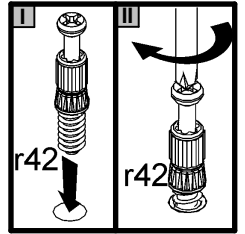
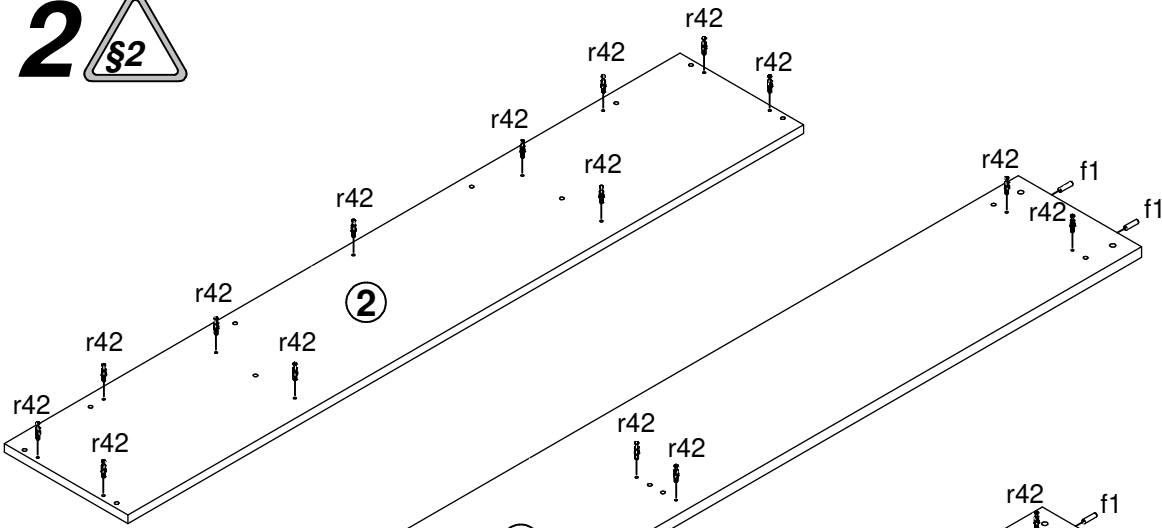
A	B	C	D
1	S467-0014	1646	990
2	S467-0015_A	1645	301
3	S467-0016_A	1646	293
4	S467-1014_A	2379	300
5	S467-1015_A	2379	300
6	S467-1050	254	261
7	S467-1051	254	261
8	S467-4018	2000	271
9	S467-4022	100	140
10	S467-4023	1600	261
11	S467-4024_A	1600	419
12	S467-4025_A	1600	419
13	S467-5008	1666	580
14	S467-5009	1666	303
15	S467-9006	1998	681



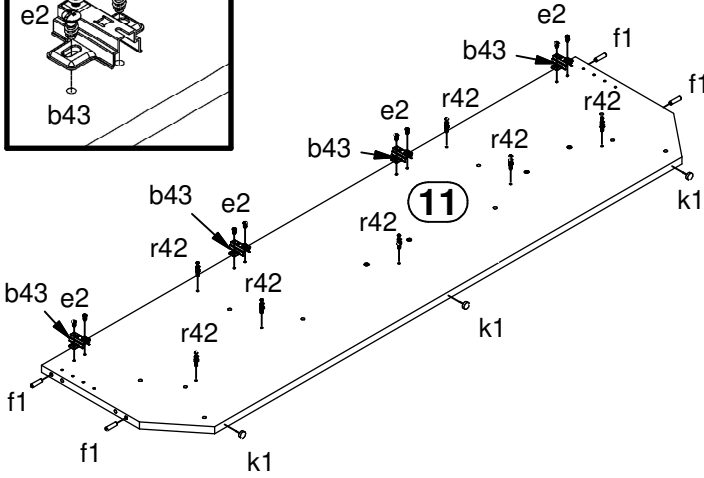
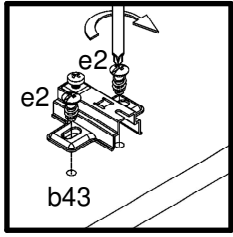
4x a158 Ø35 mm 90°	4x b43	12x e1 Ø7x50 mm	24x e2 Ø6.3x13 mm	36x f1 Ø8x30 mm	14x j115 M6x35 mm	4x j132 M6x65 mm	8x j167 M6x20 mm	9x k1
2x m25\2	2x m25\6 80 N	2x m25\9	2x n63 130x34x34/2 mm	16x p51 Ø3.5x15 mm	30x r1 Ø15x12 mm #16	30x r42 20/11	4x r43 Ø10x16 mm	12x s68 Ø 20mm
1x z1 4 mm								



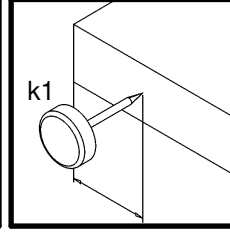
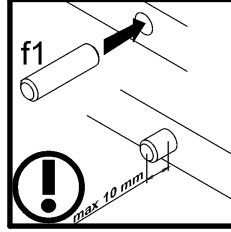
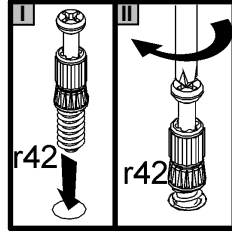
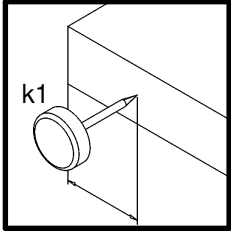
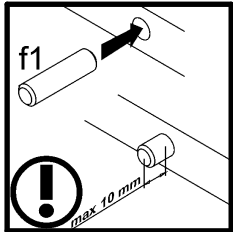
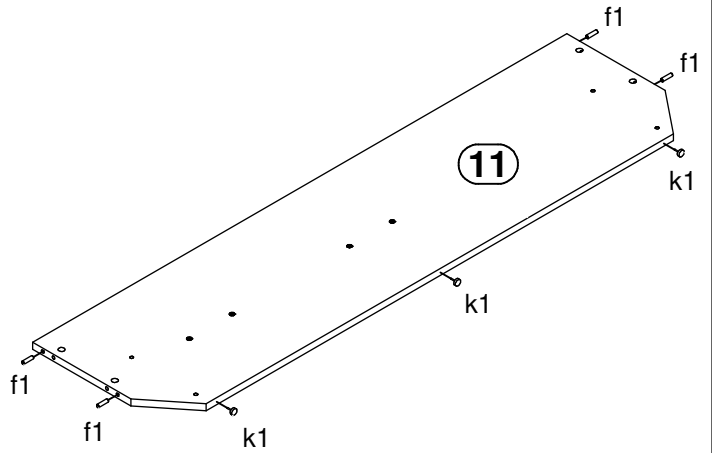
2 



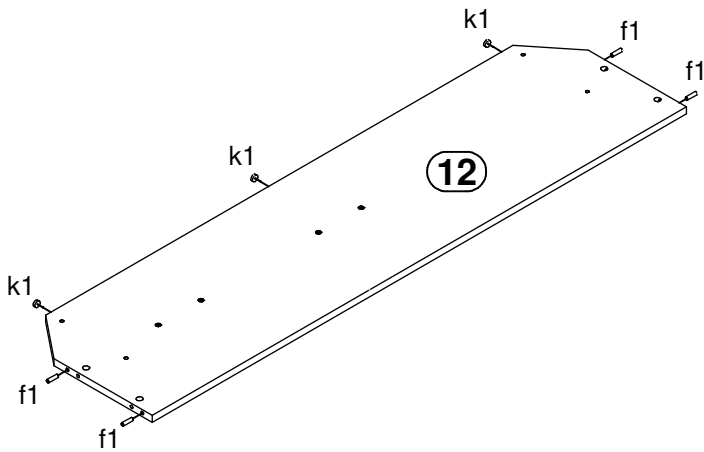
3A



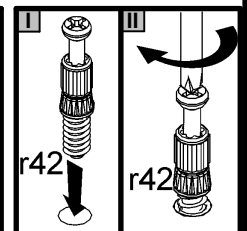
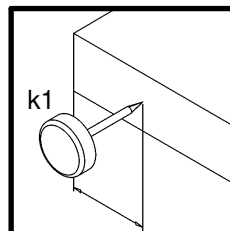
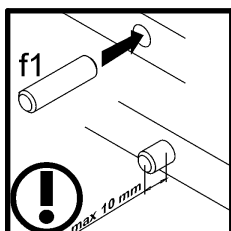
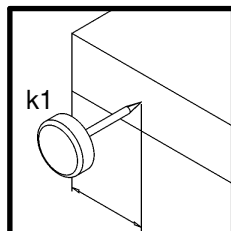
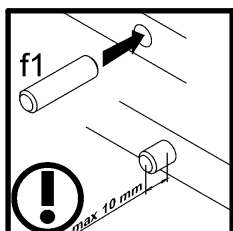
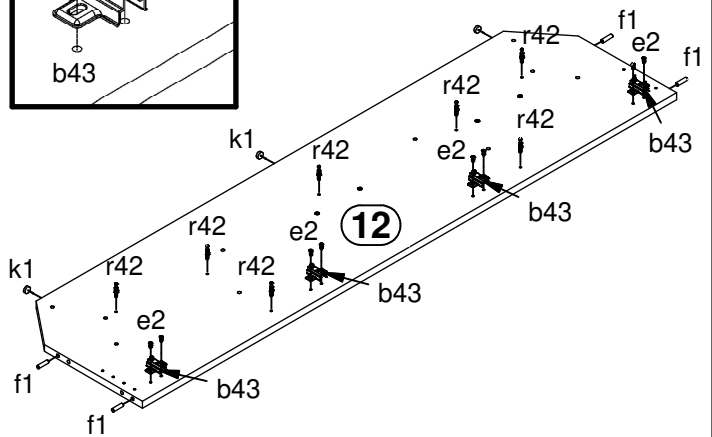
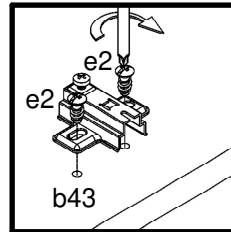
3B

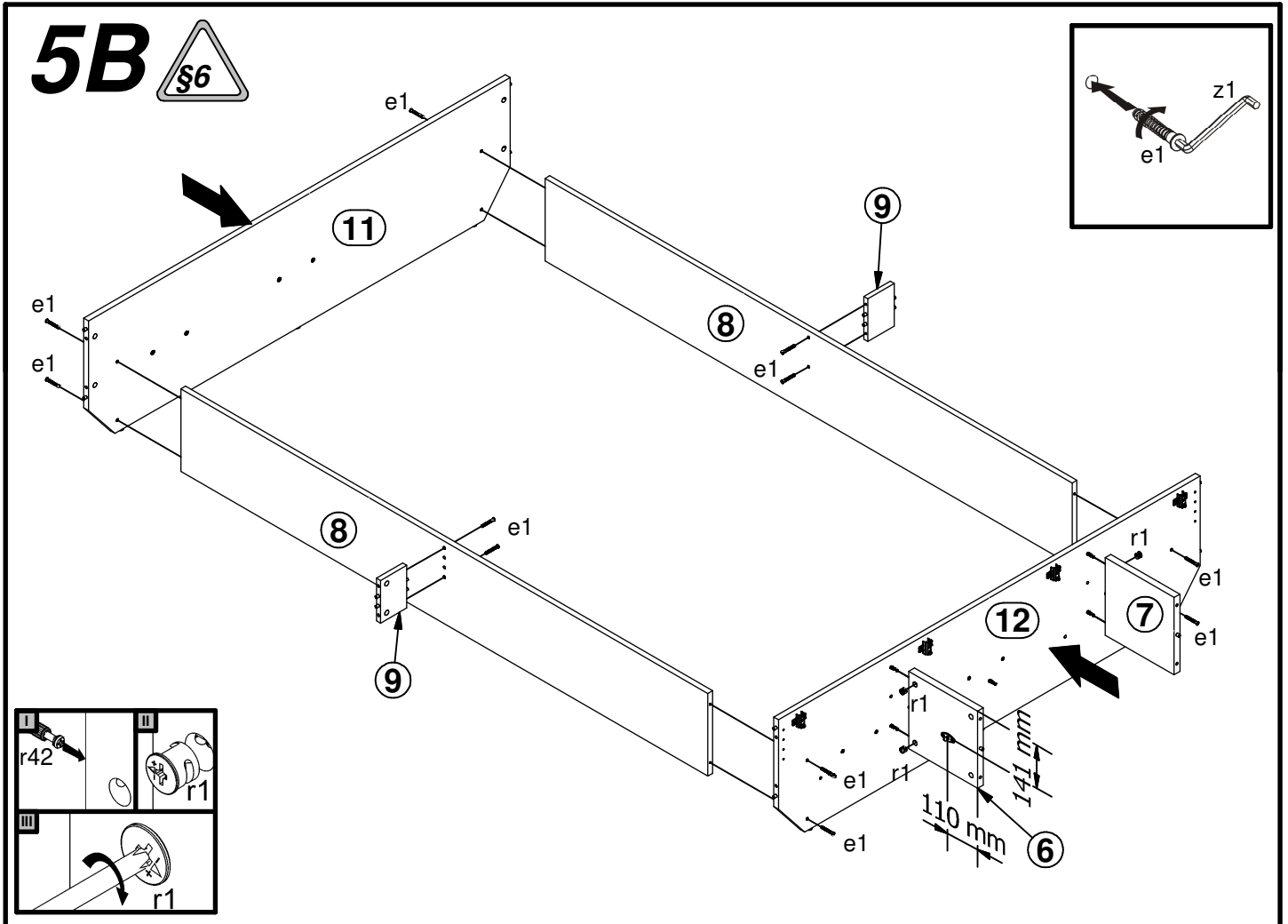
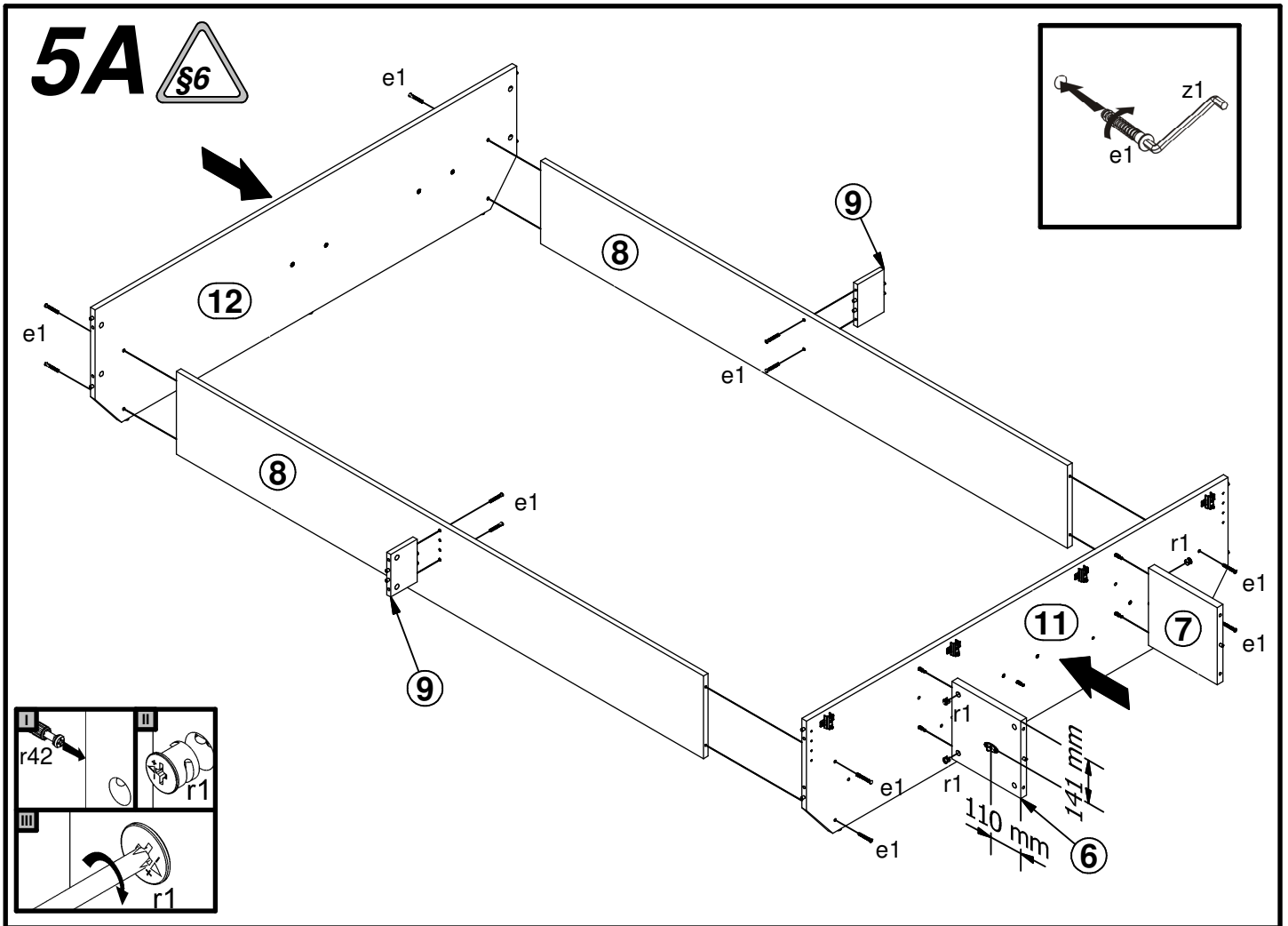


4A

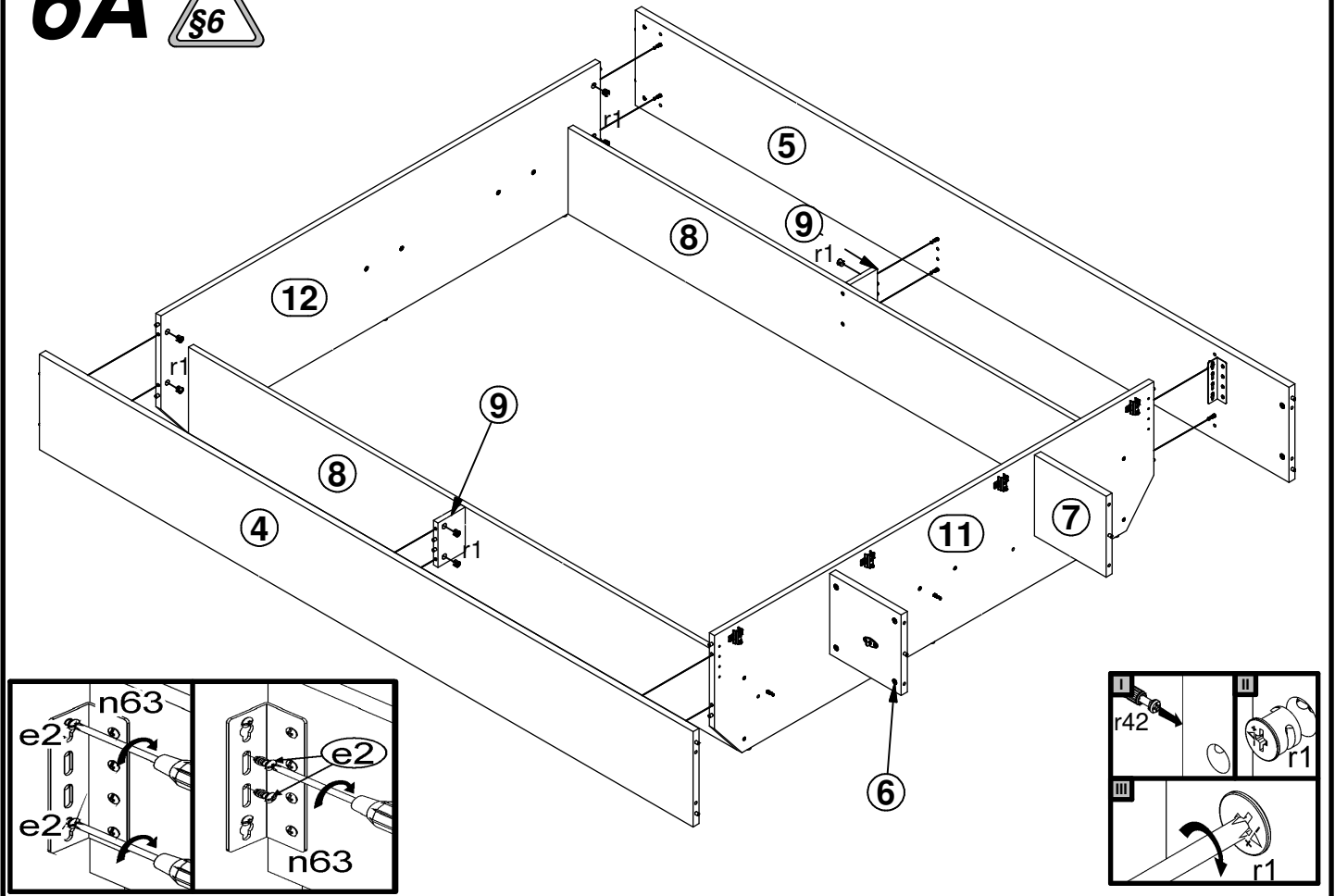


4B

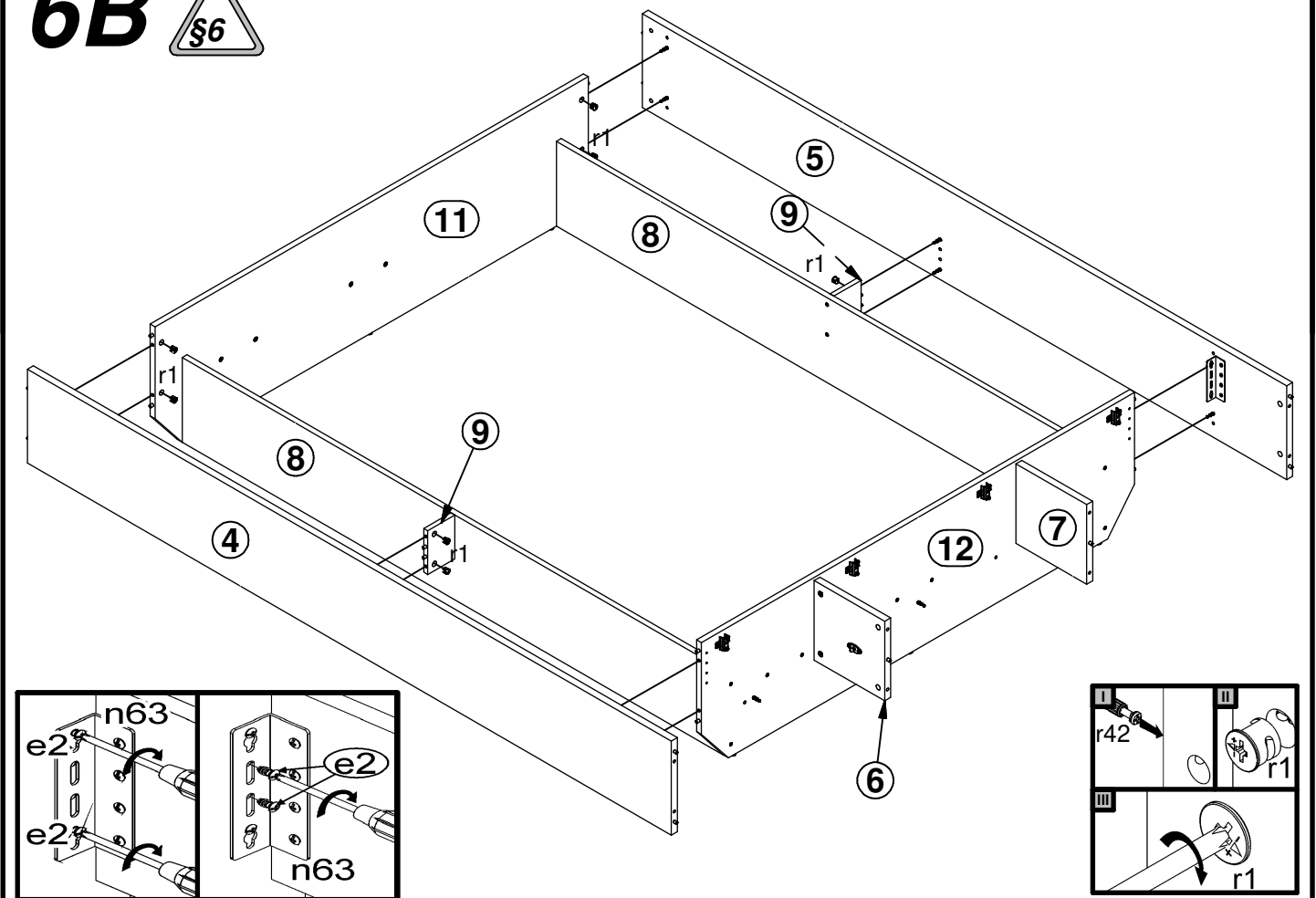


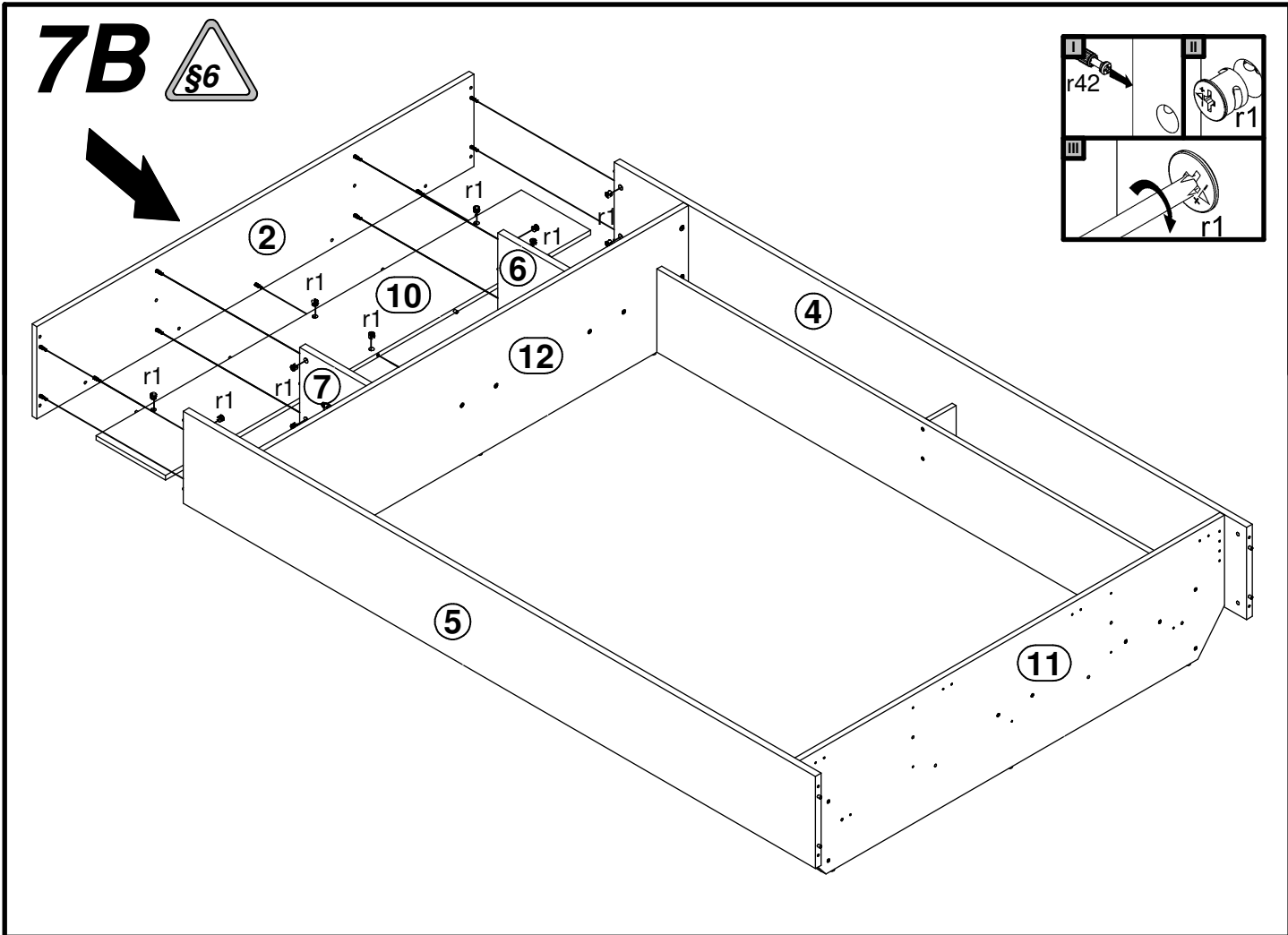
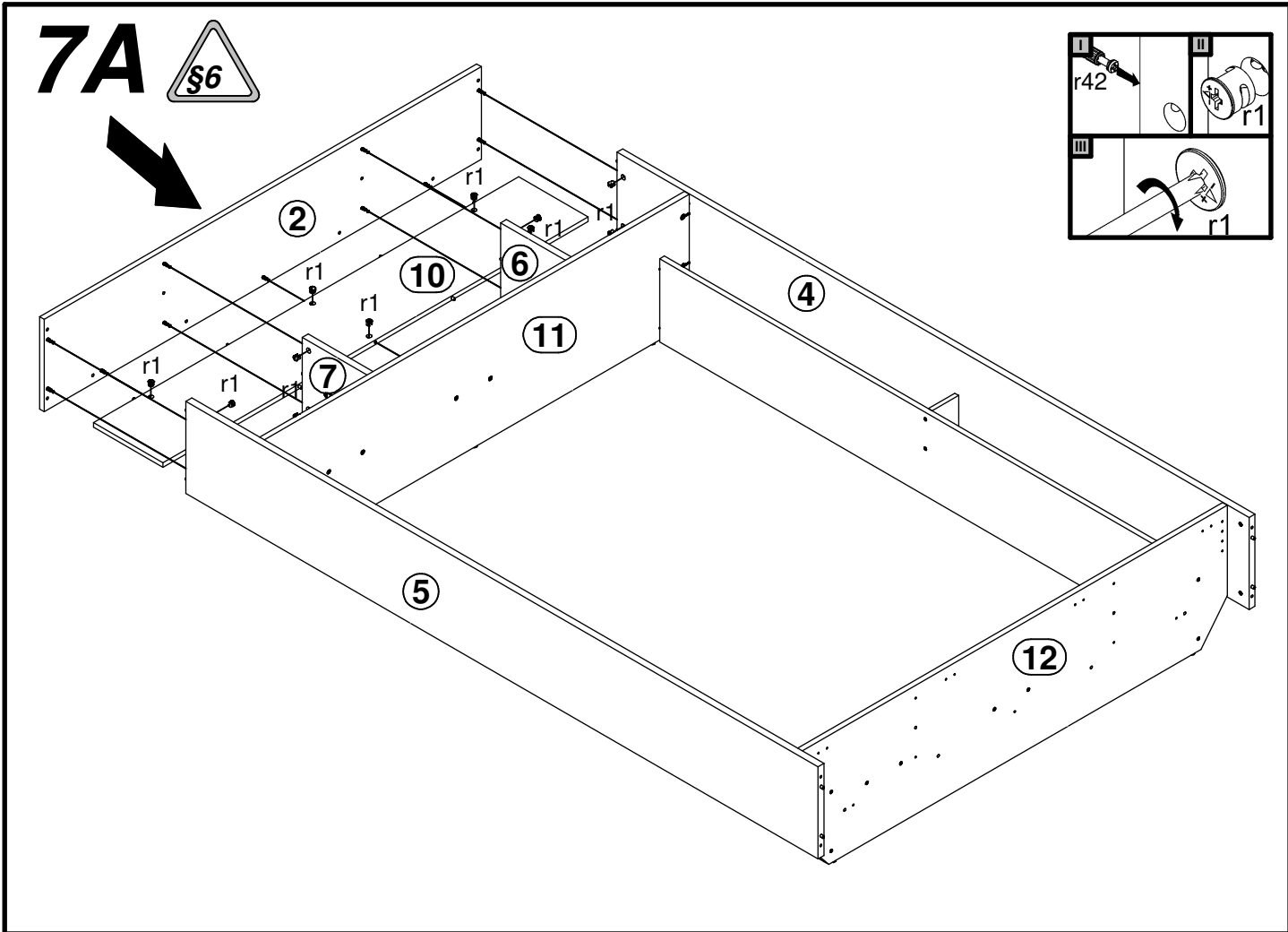


6A

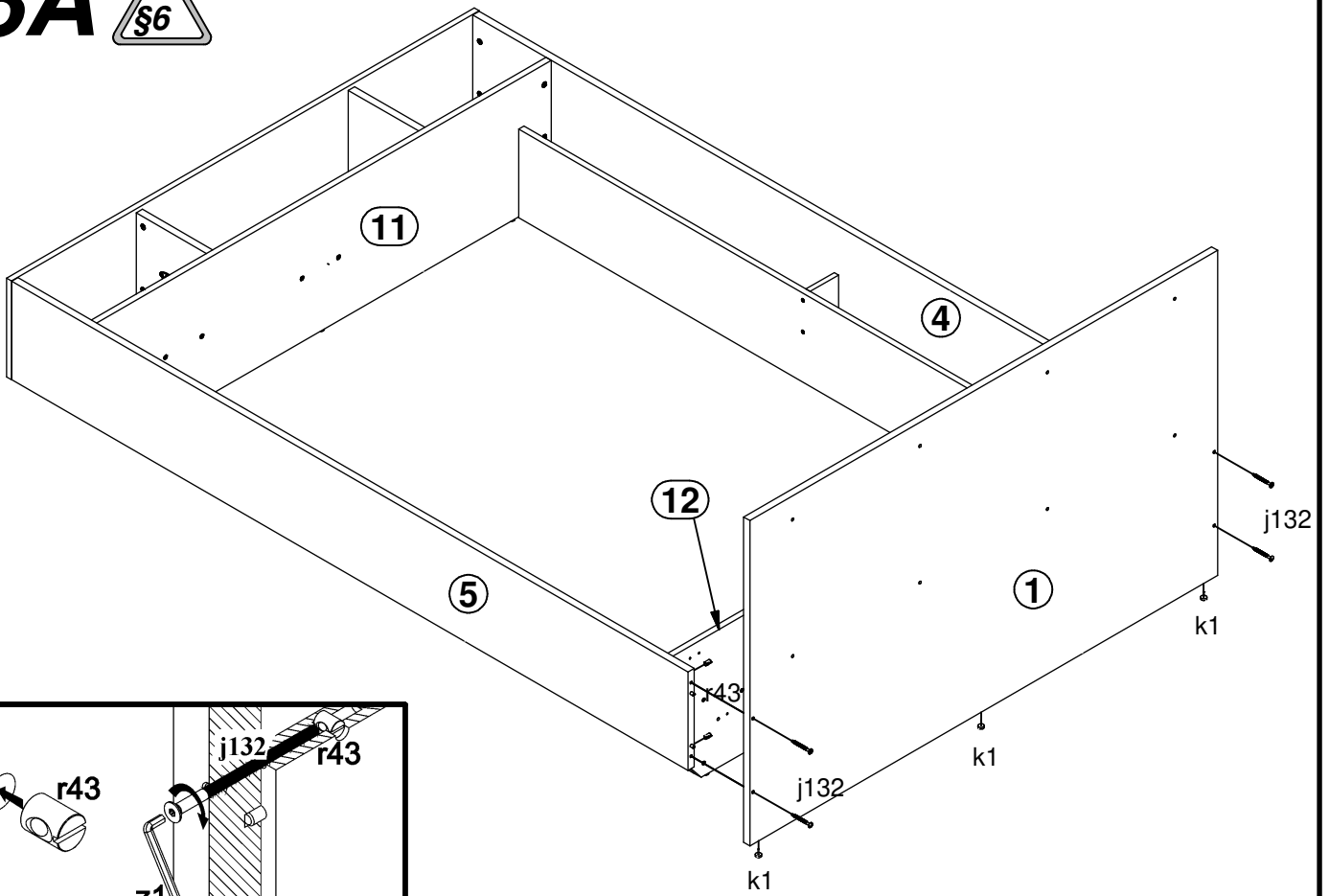


6B

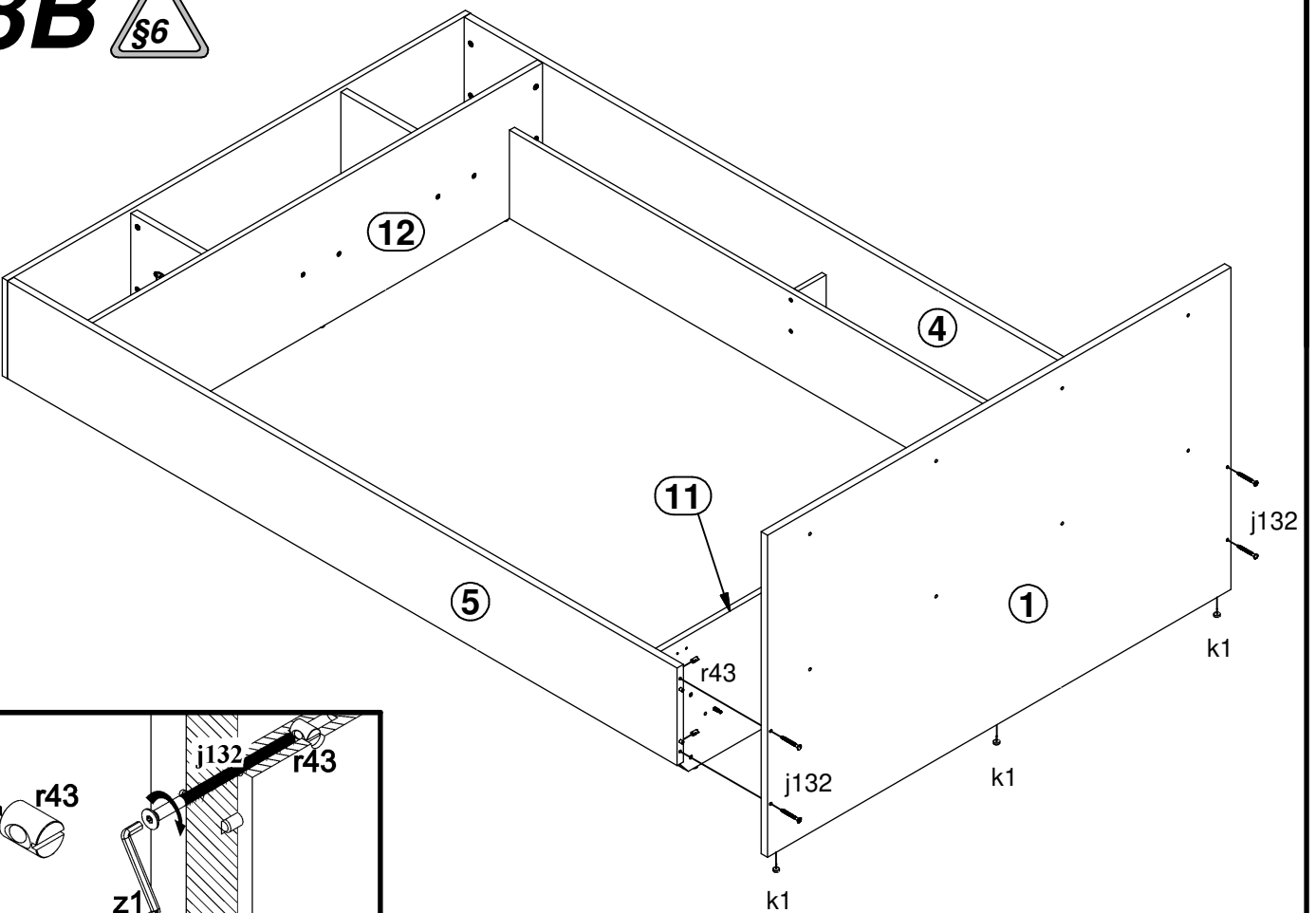




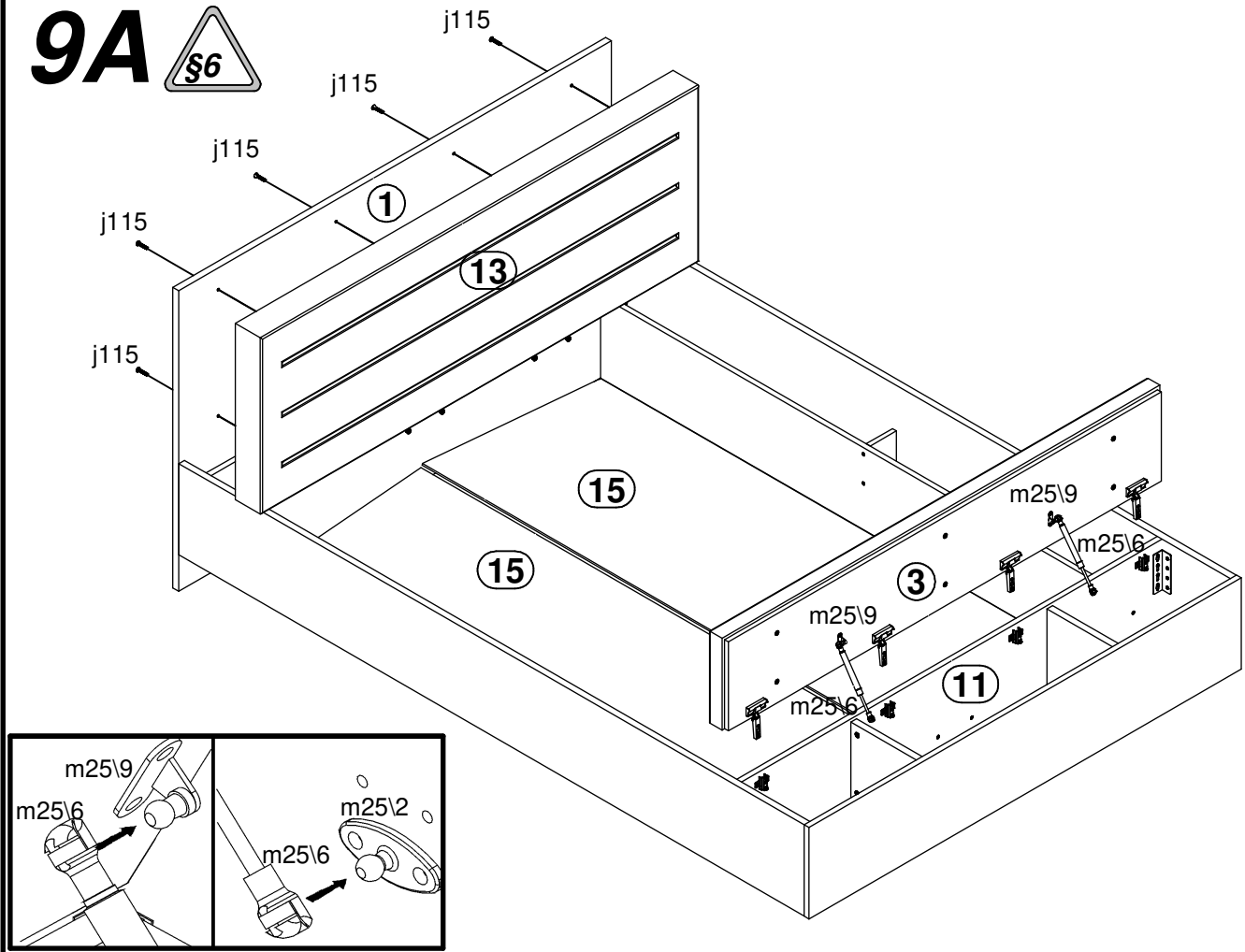
8A



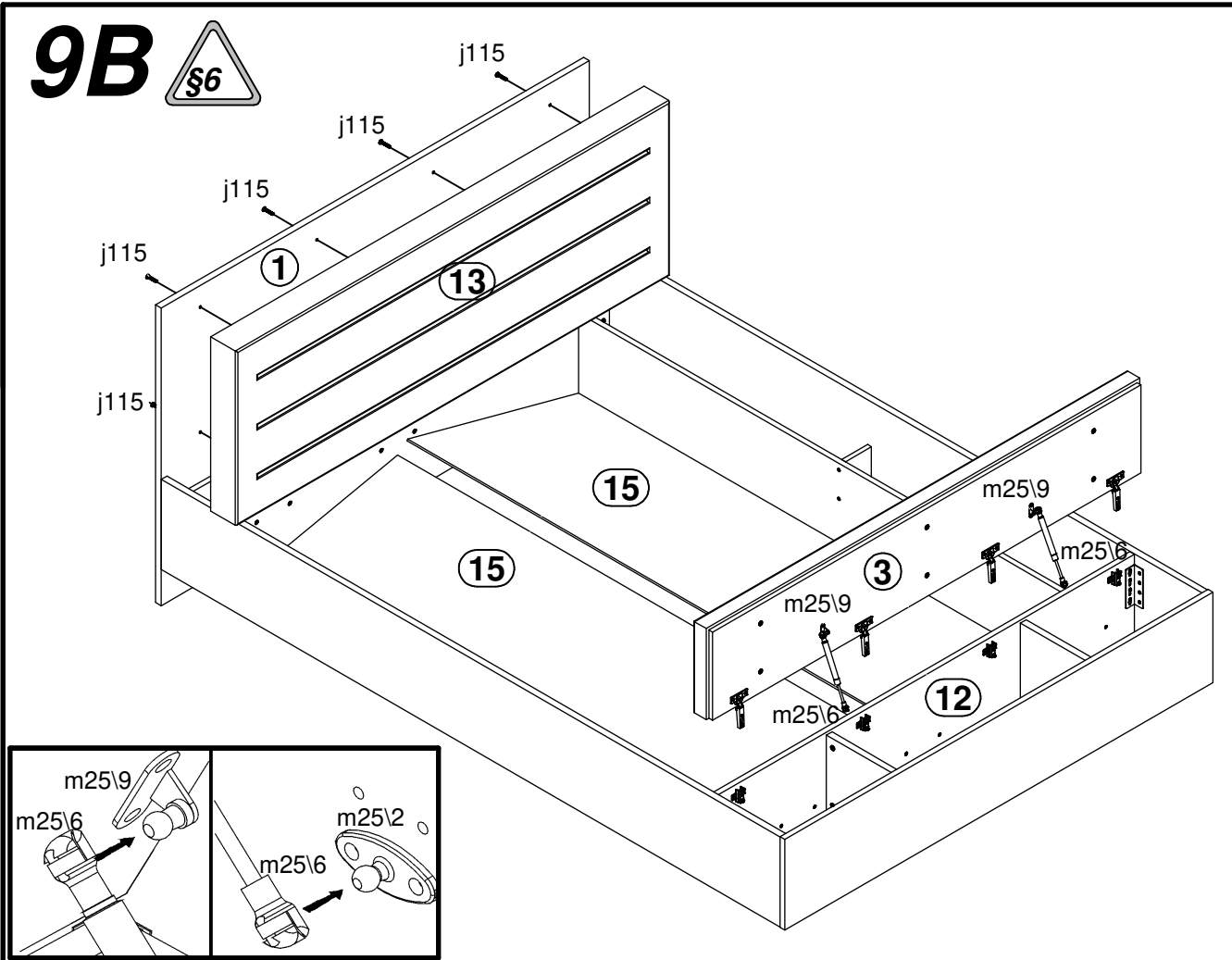
8B



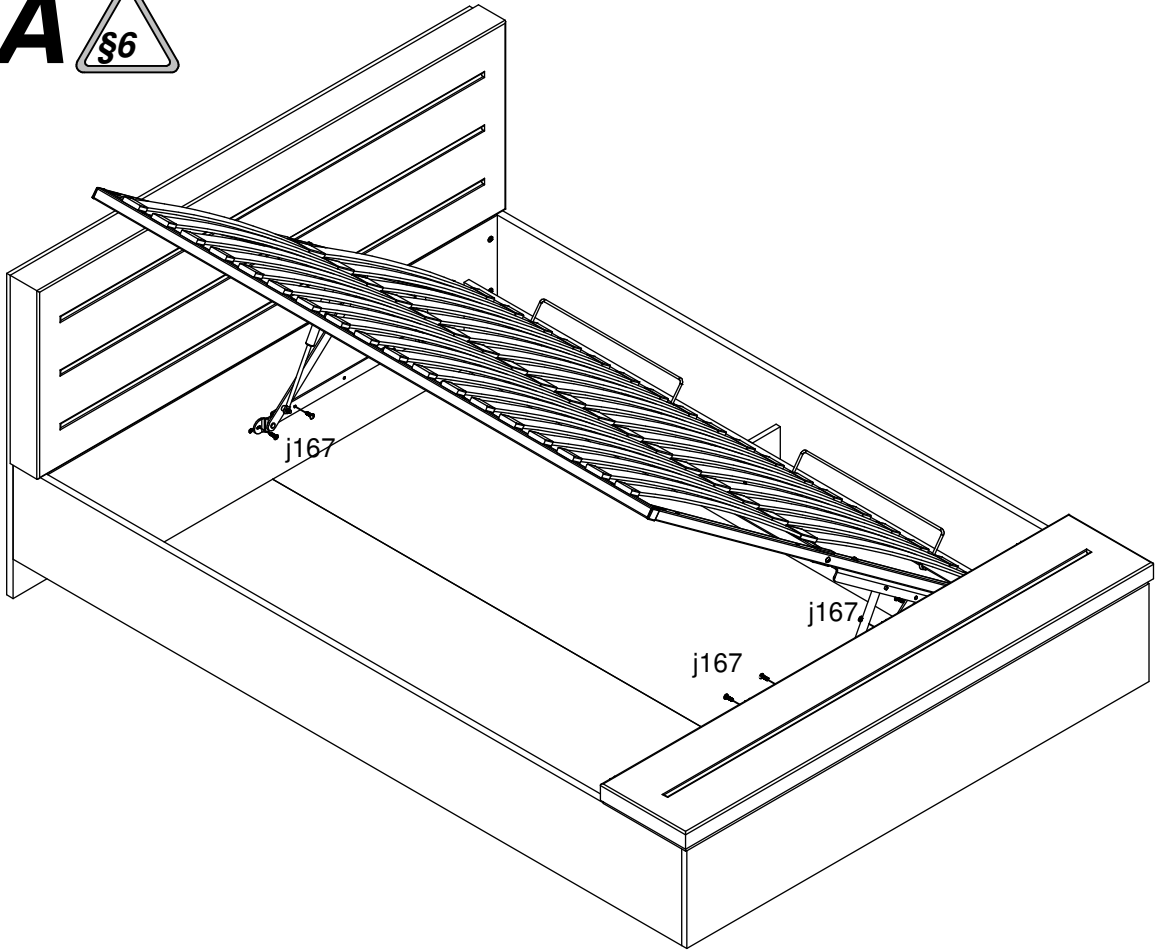
9A



9B



10A



10B

