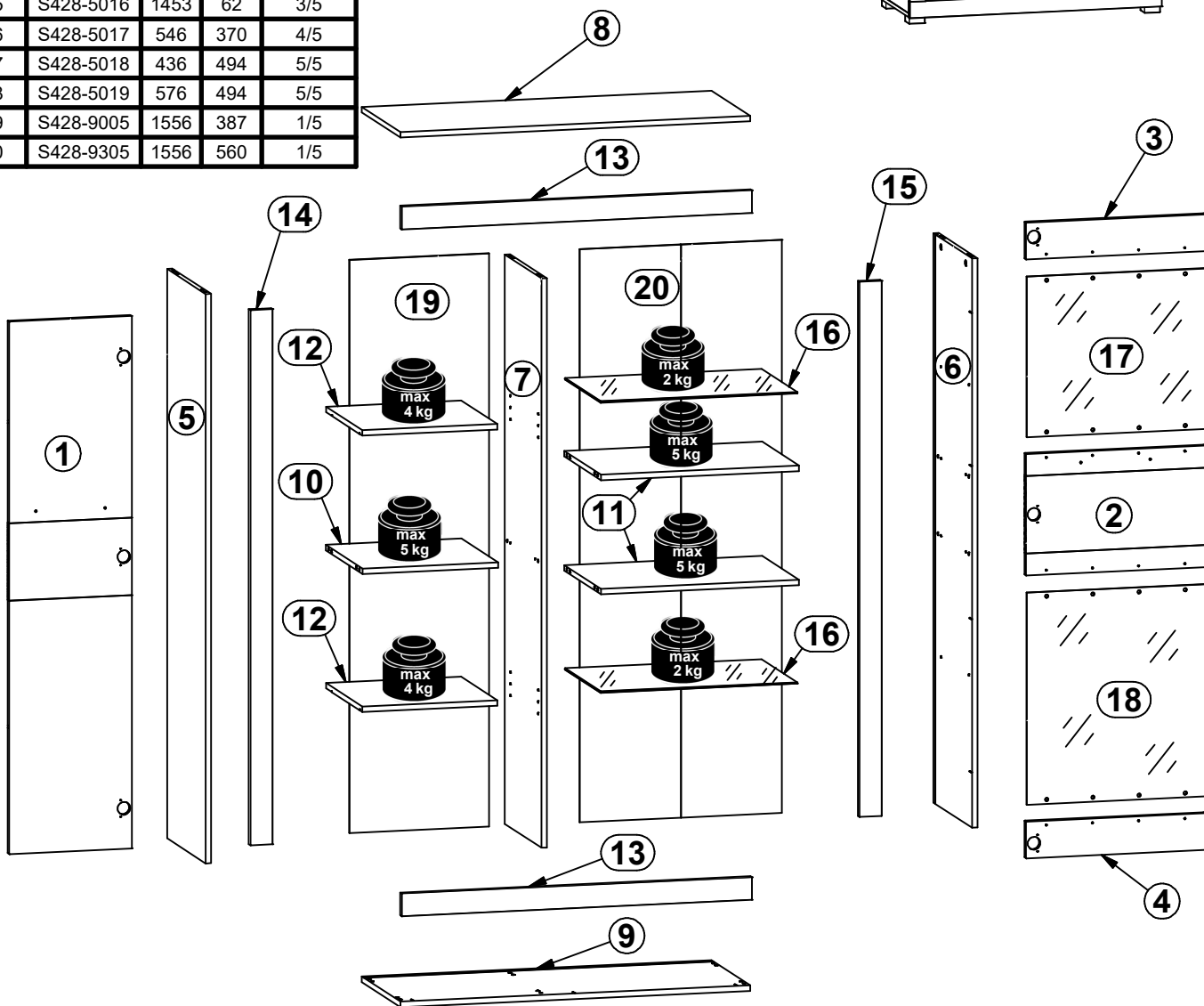
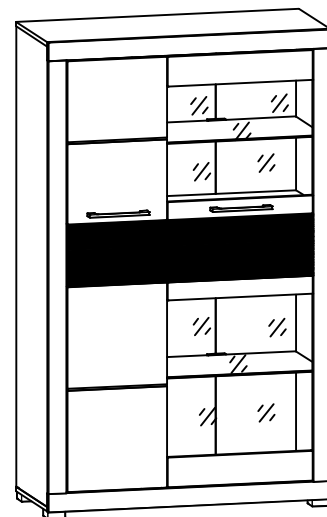
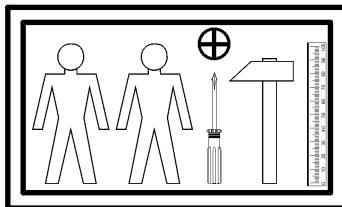
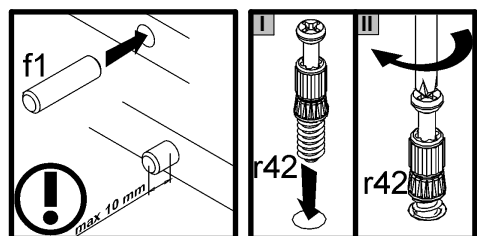
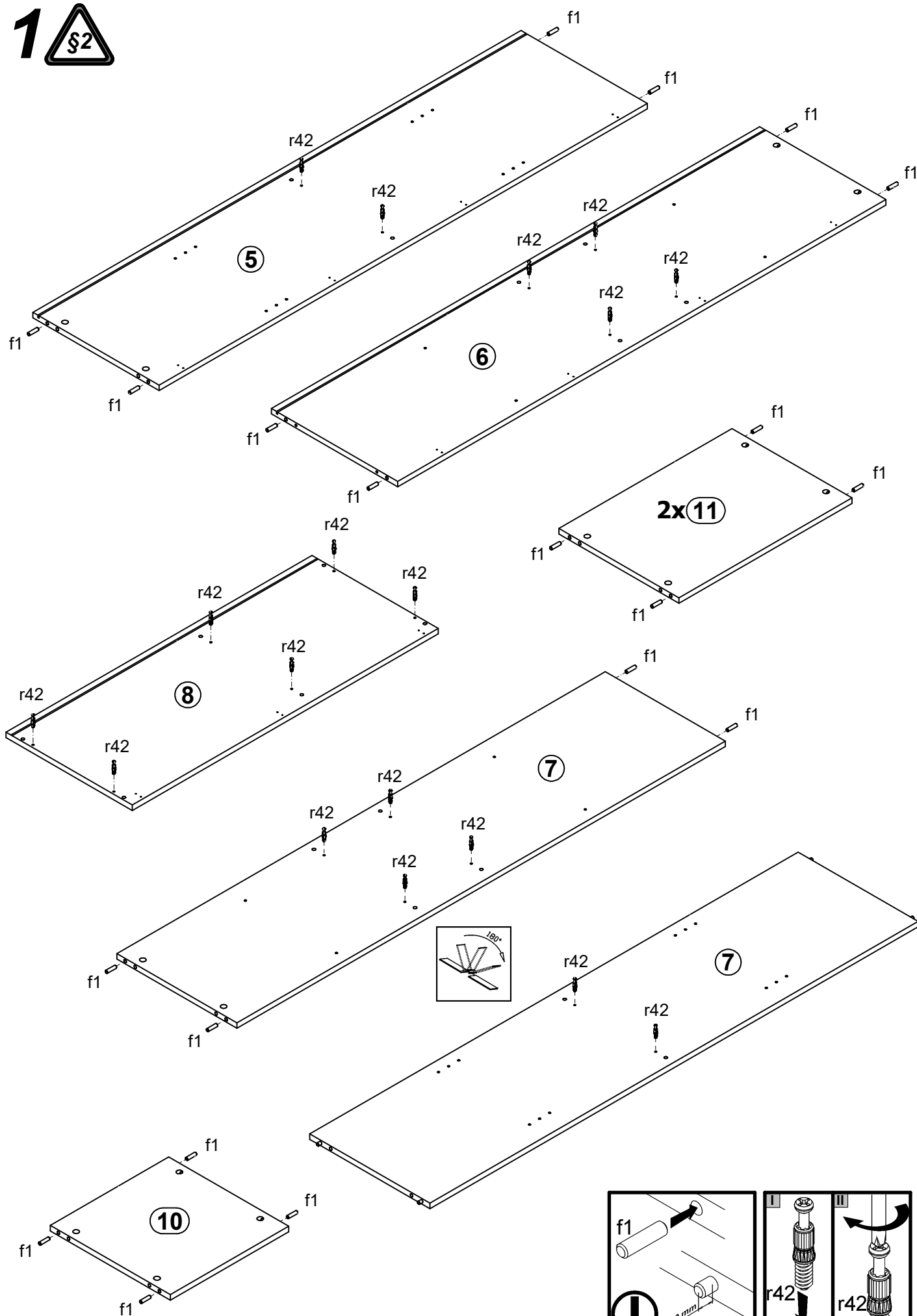


A	B	C	D	
1	S428-0013	340	1446	3/5
2	S428-0014	496	330	3/5
3	S428-0015	496	100	3/5
4	S428-0016	496	100	3/5
5	S428-1015	1546	400	1/5
6	S428-1016	1546	400	1/5
7	S428-1017	1546	380	1/5
8	S428-2011	969	400	2/5
9	S428-2012	969	400	2/5
10	S428-3006	375	380	2/5
11	S428-3007	548	380	2/5
12	S428-3008	374	375	3/5
13	S428-5014	970	62	3/5
14	S428-5015	1453	62	3/5
15	S428-5016	1453	62	3/5
16	S428-5017	546	370	4/5
17	S428-5018	436	494	5/5
18	S428-5019	576	494	5/5
19	S428-9005	1556	387	1/5
20	S428-9305	1556	560	1/5

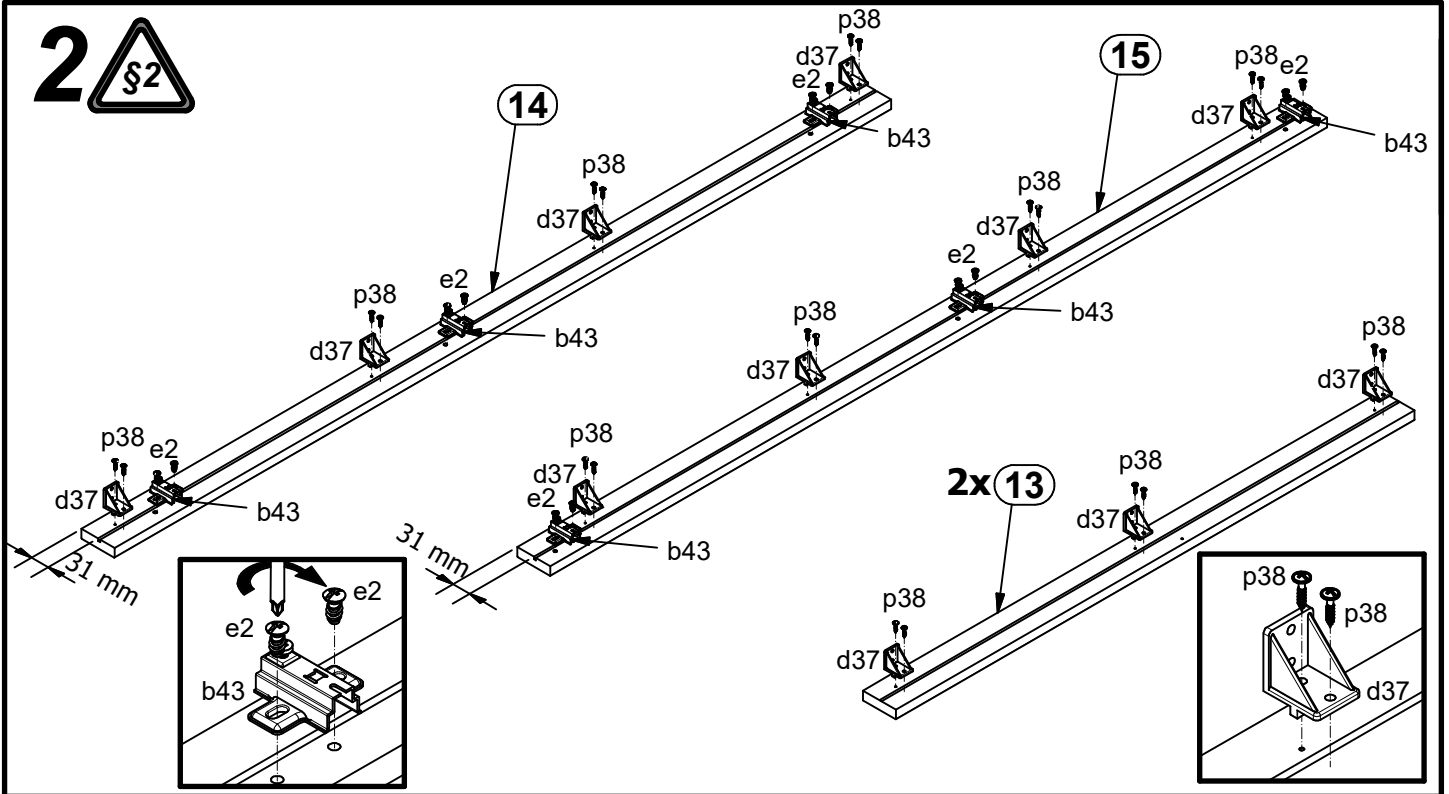


6x a132	2x a133	6x b43	2x c306 192 mm	8x d1 Ø5x17 mm	8x d3 Ø5x17 mm	14x d37	6x e1 Ø7x50 mm	12x e2 Ø6.3x13 mm
16x e47 Ø5x16 mm	24x f1 Ø8x30 mm	4x j30 M4x22 mm	1x k53 Ø50x25 mm	4x k55 60x60/25 mm	12x l2	7x n108 22x9.5x20.7 mm	2x o43/8	16x o54 Ø5.3xØ8.3x4.8 mm
1x o70 3P 6W	8x p6 Ø4x35 mm	1x p36 Ø4x25 mm	56x p38 Ø3.5x16 mm	12x p51 Ø3.5x15 mm	7x p55 Ø2.9x16 mm	18x r1 Ø15x12 mm #16	18x r42 20/11	10x s68 Ø 20mm
1x z1 4 mm						1x p38 Ø3.5x16 mm	1x n26	

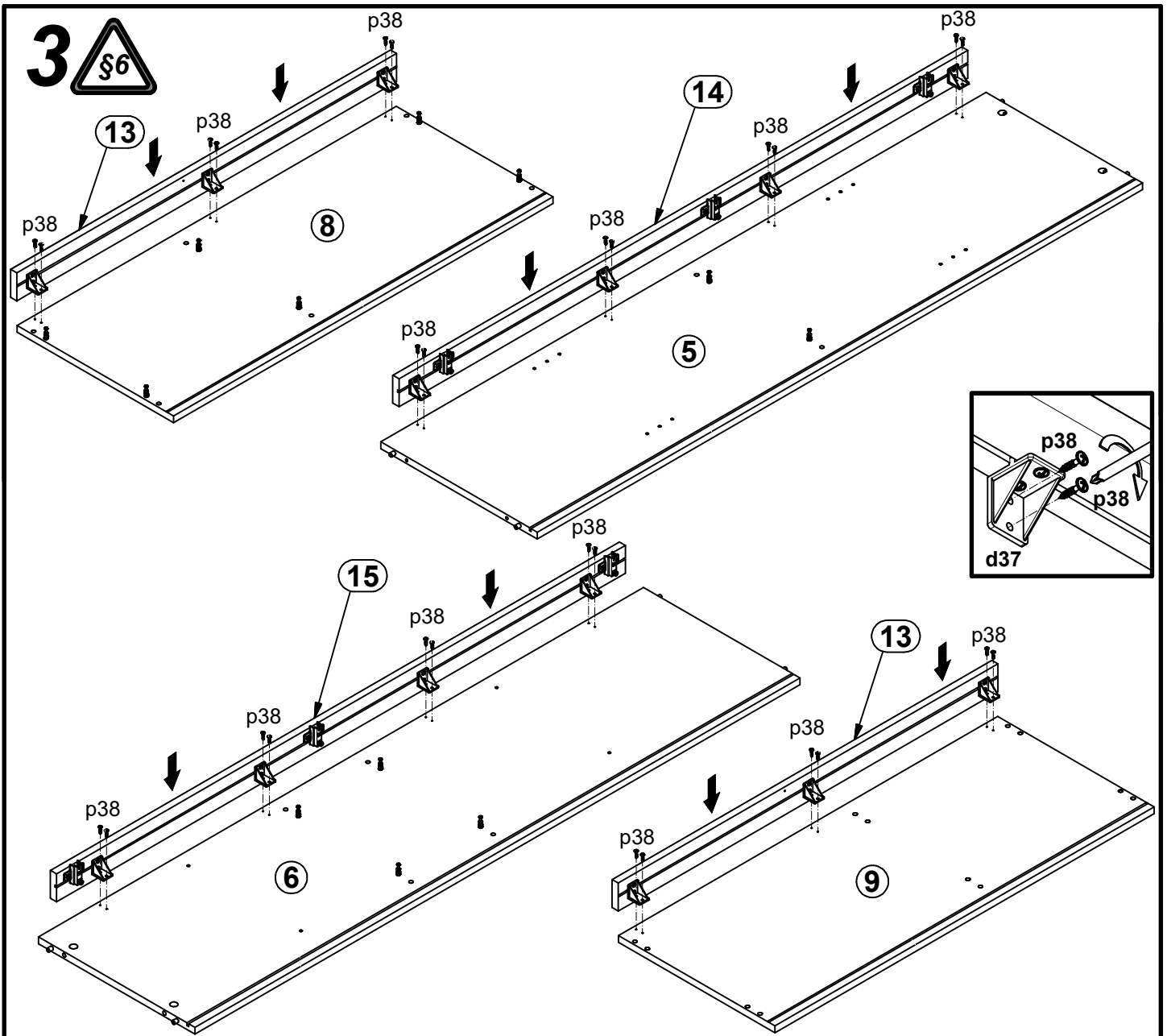
1 



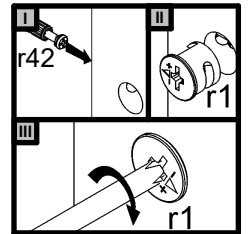
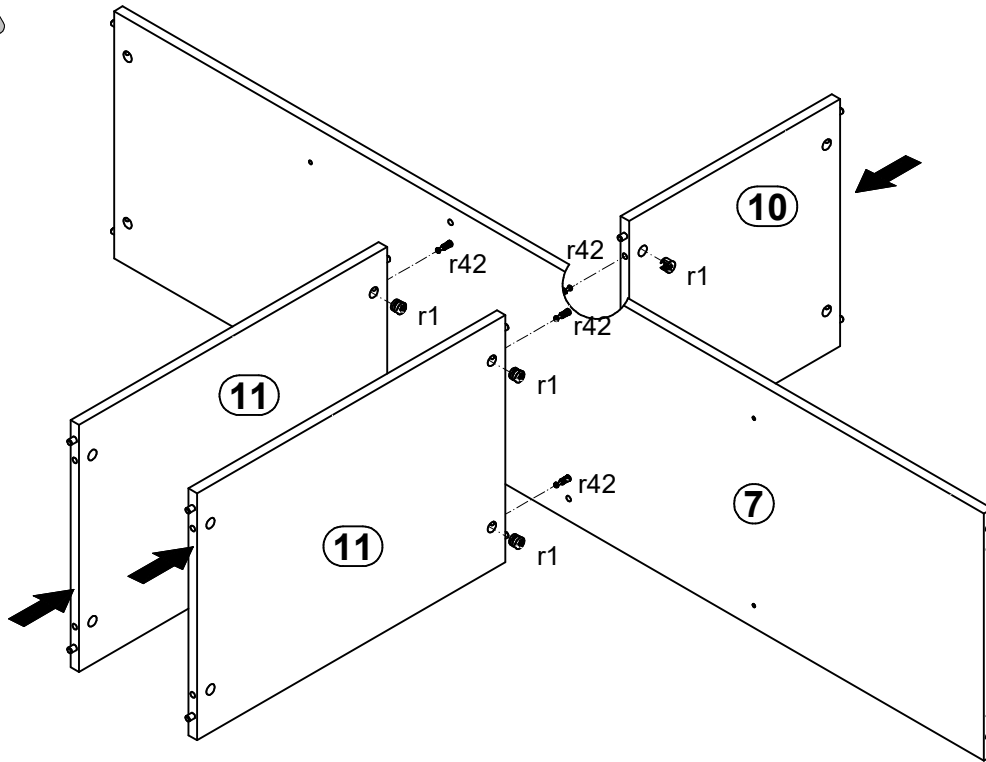
2 



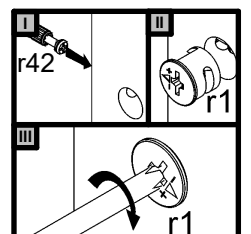
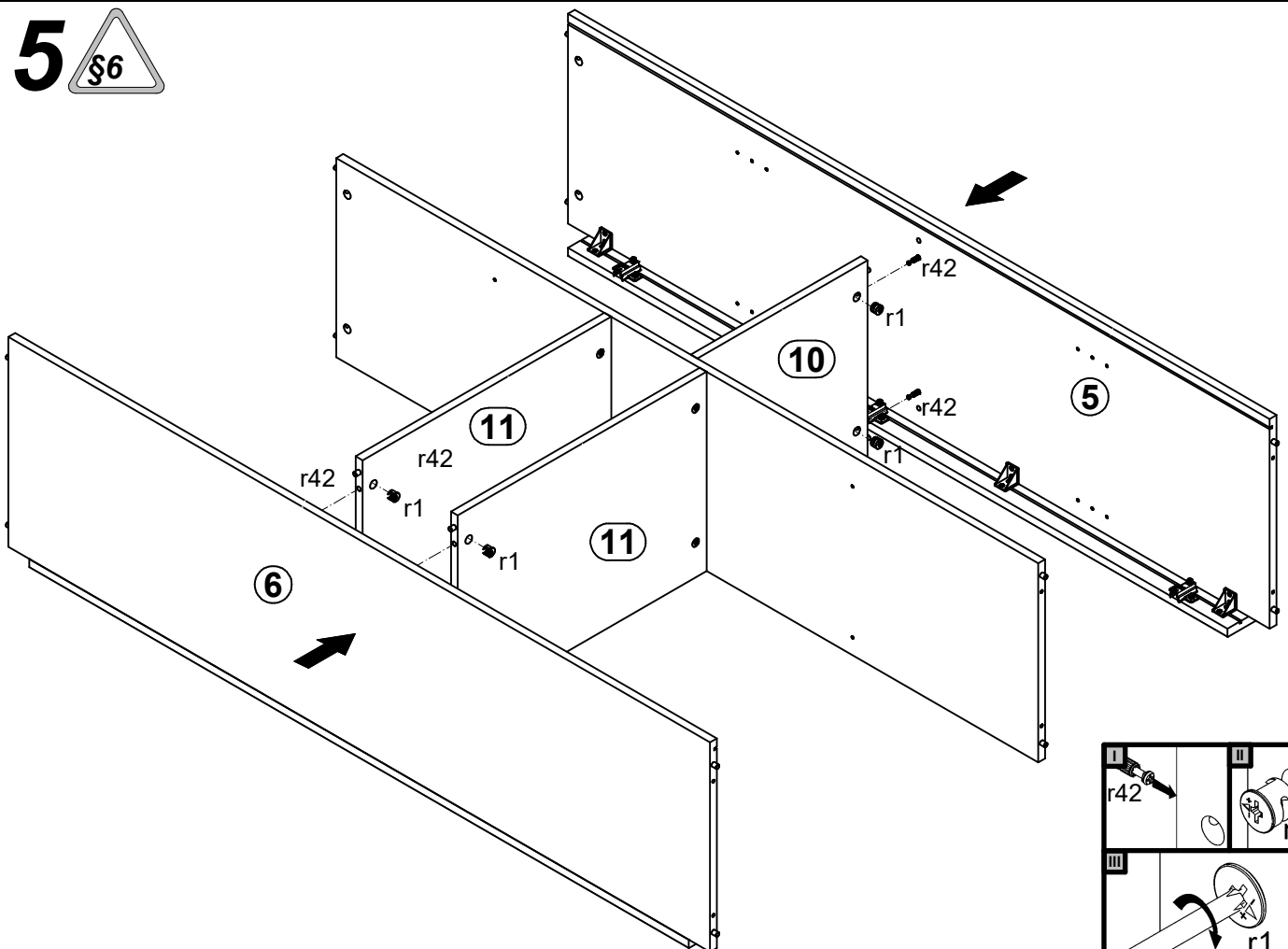
3 



4 §6

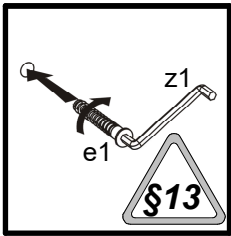
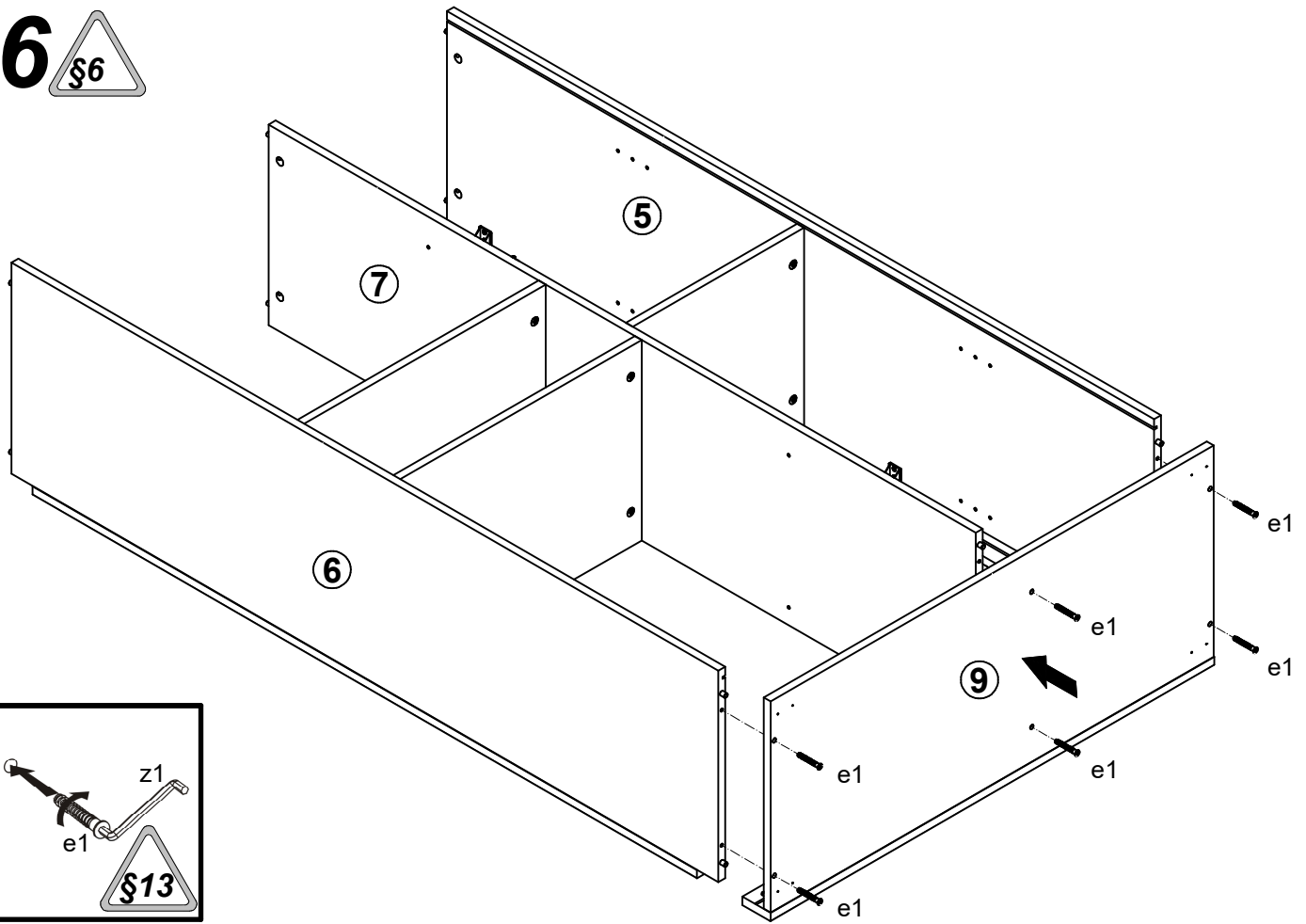


5 §6



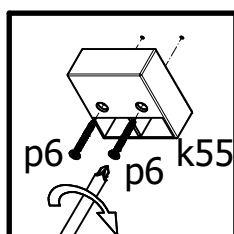
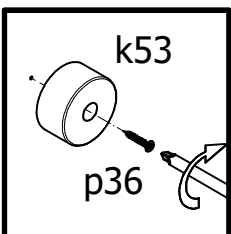
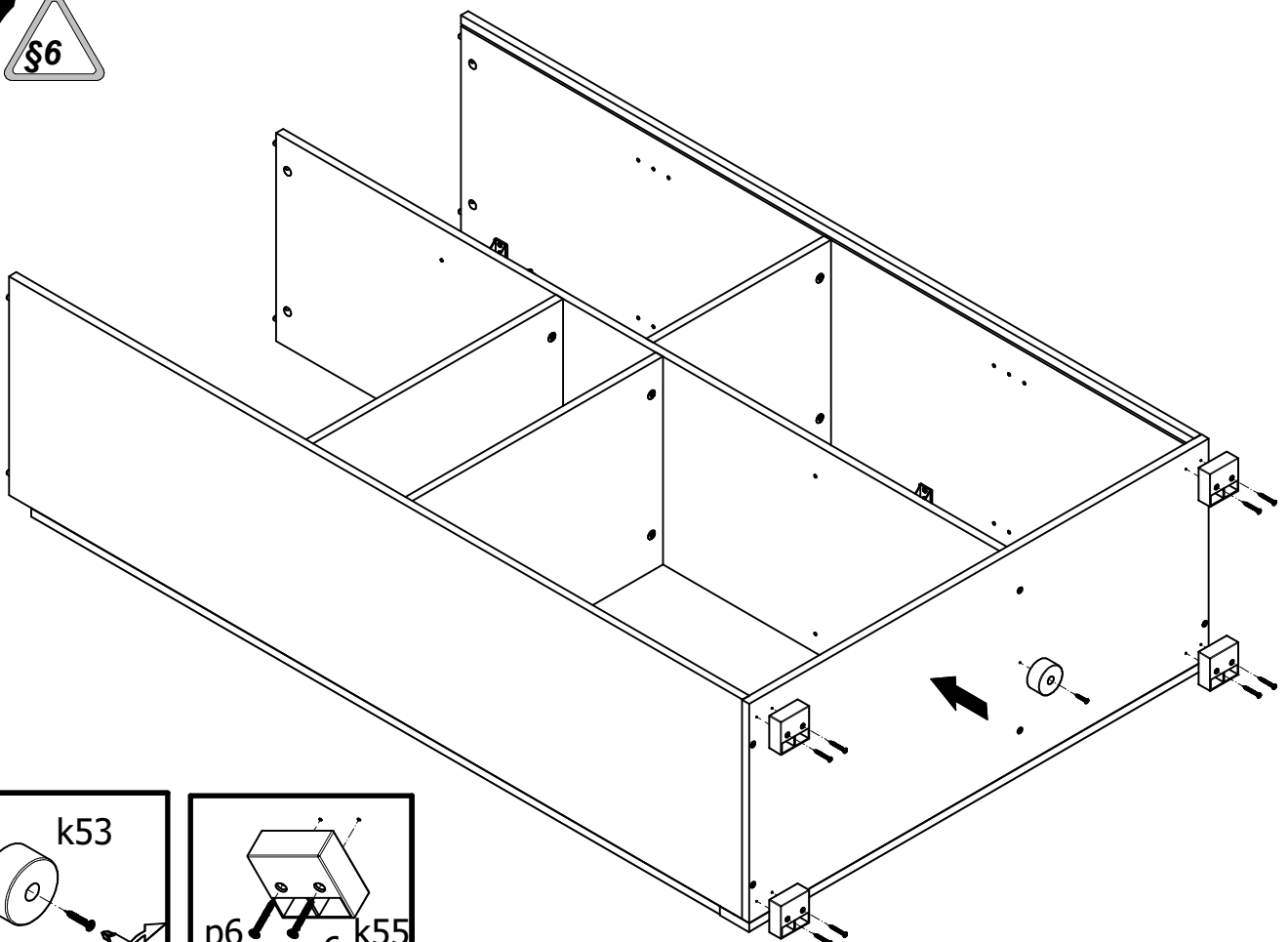
6

§6

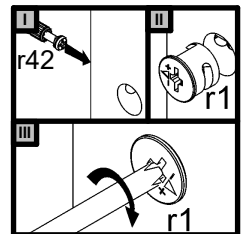
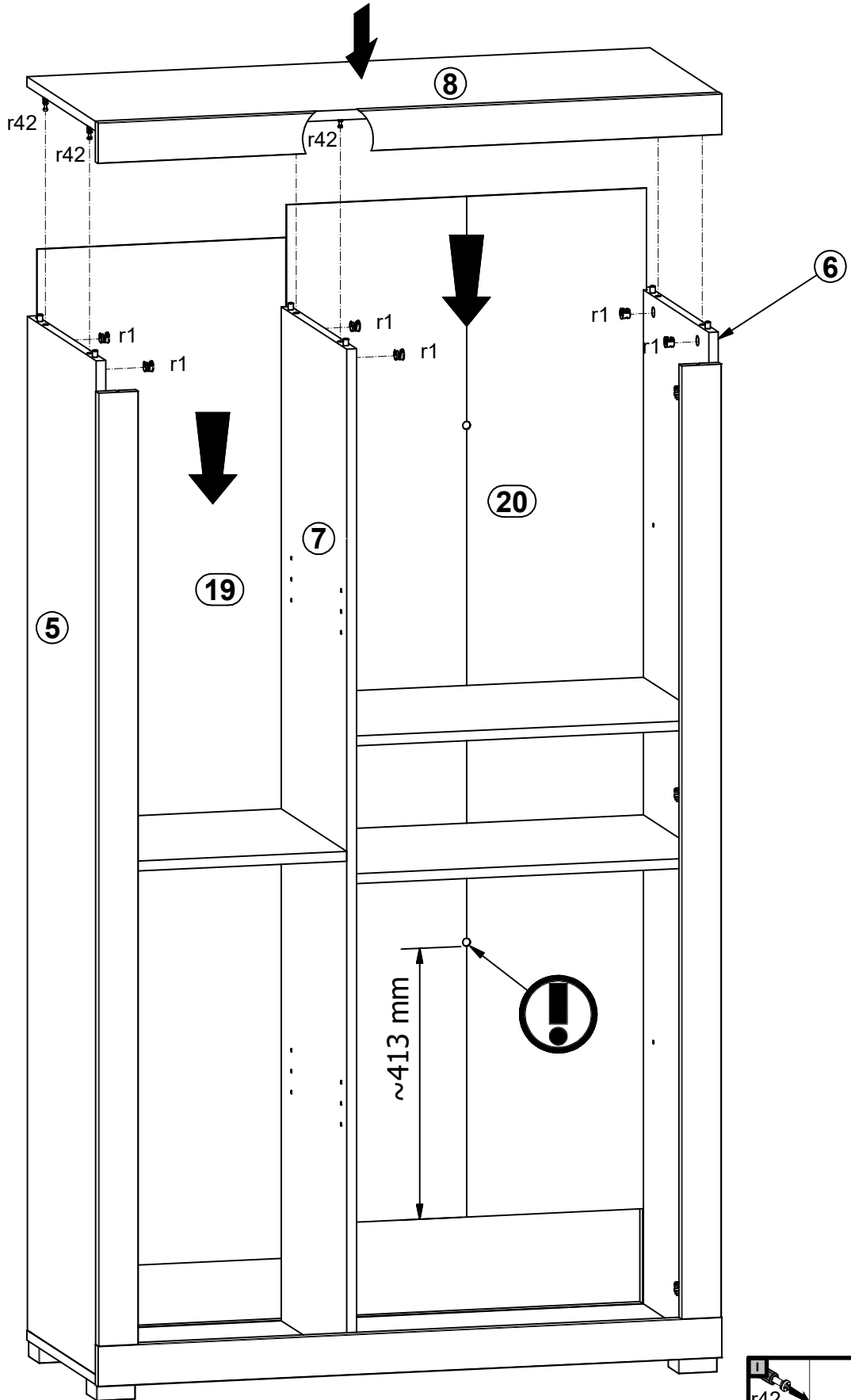


7

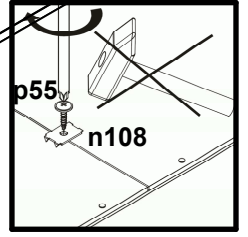
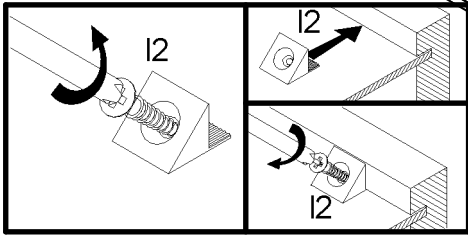
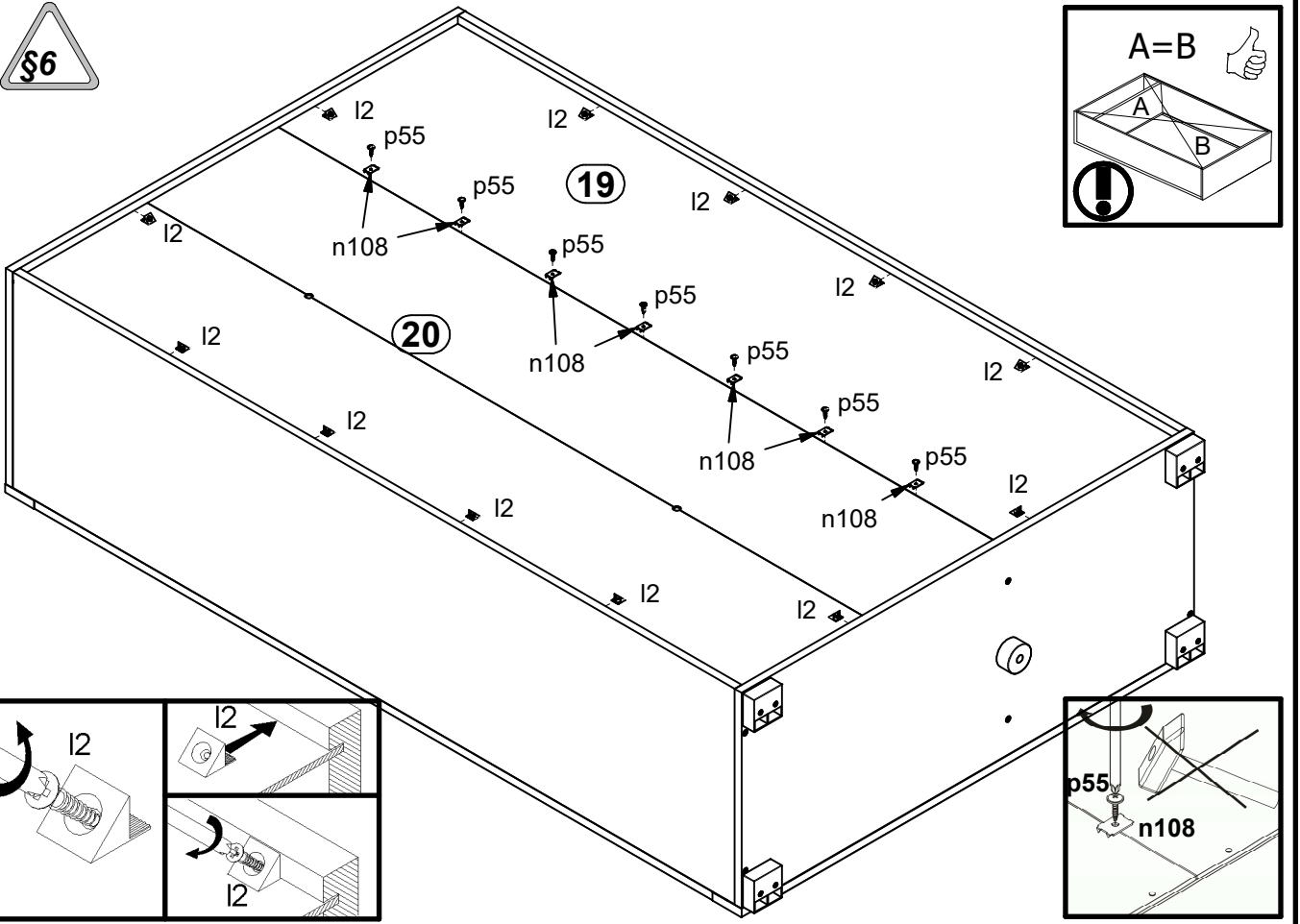
§6



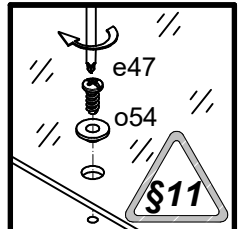
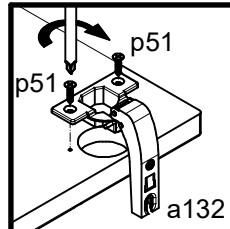
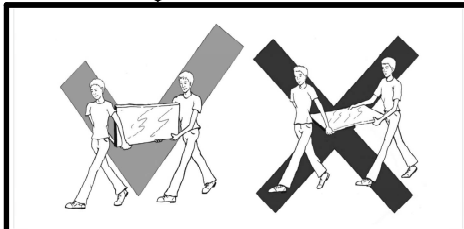
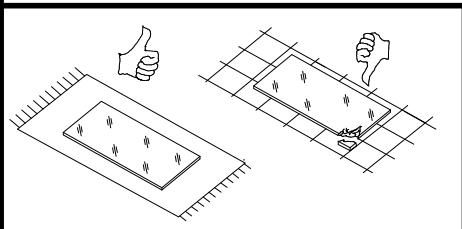
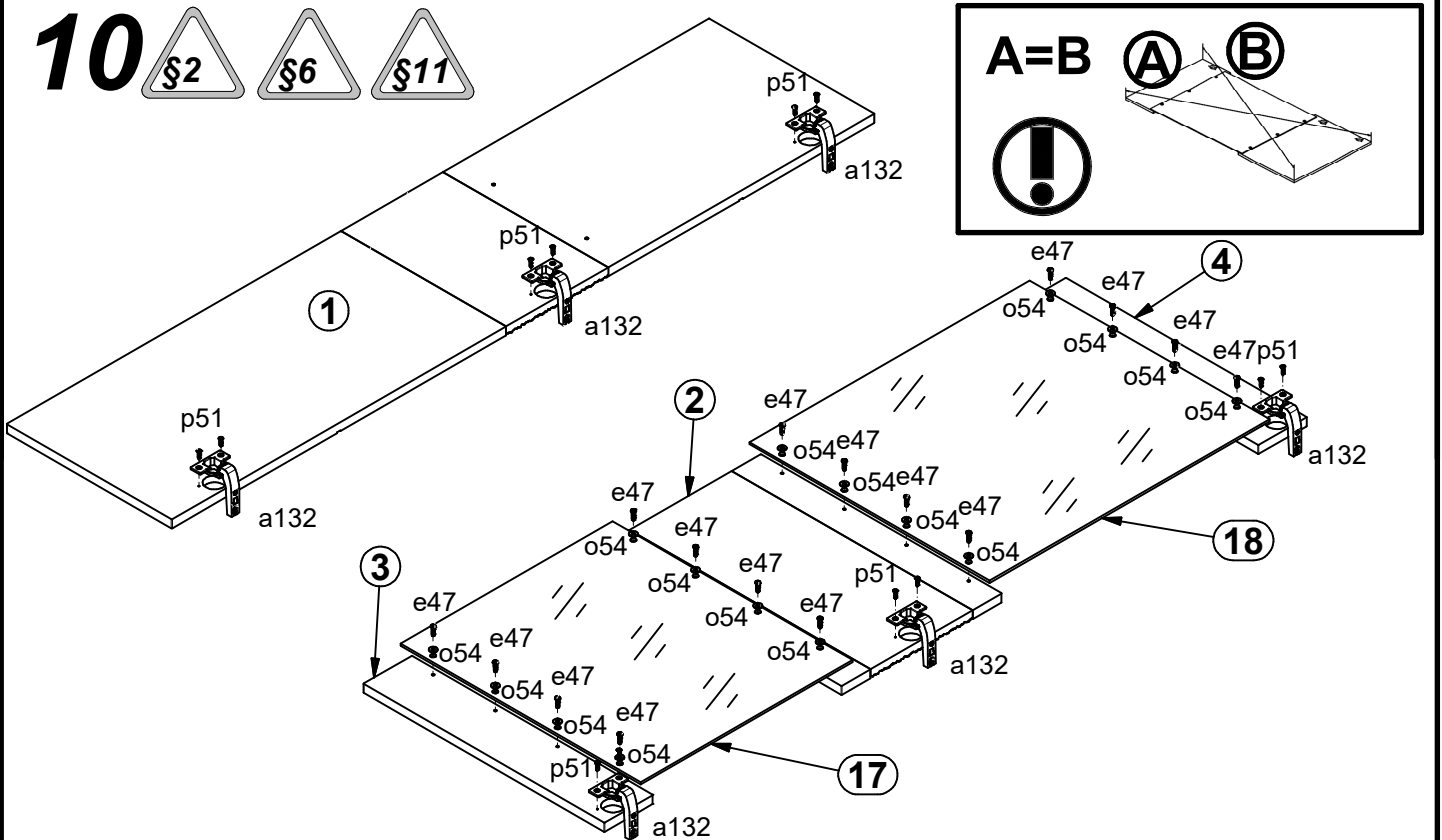
8



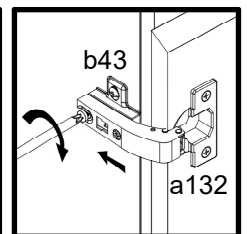
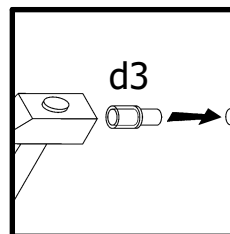
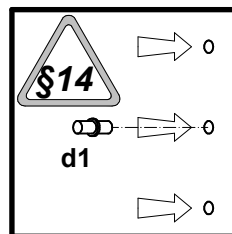
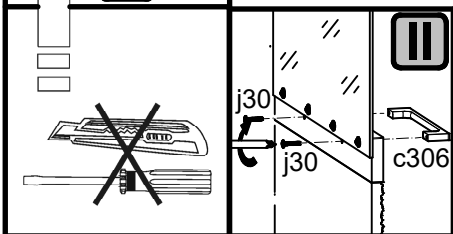
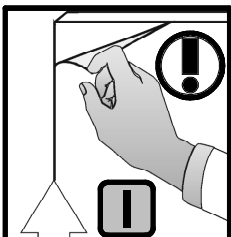
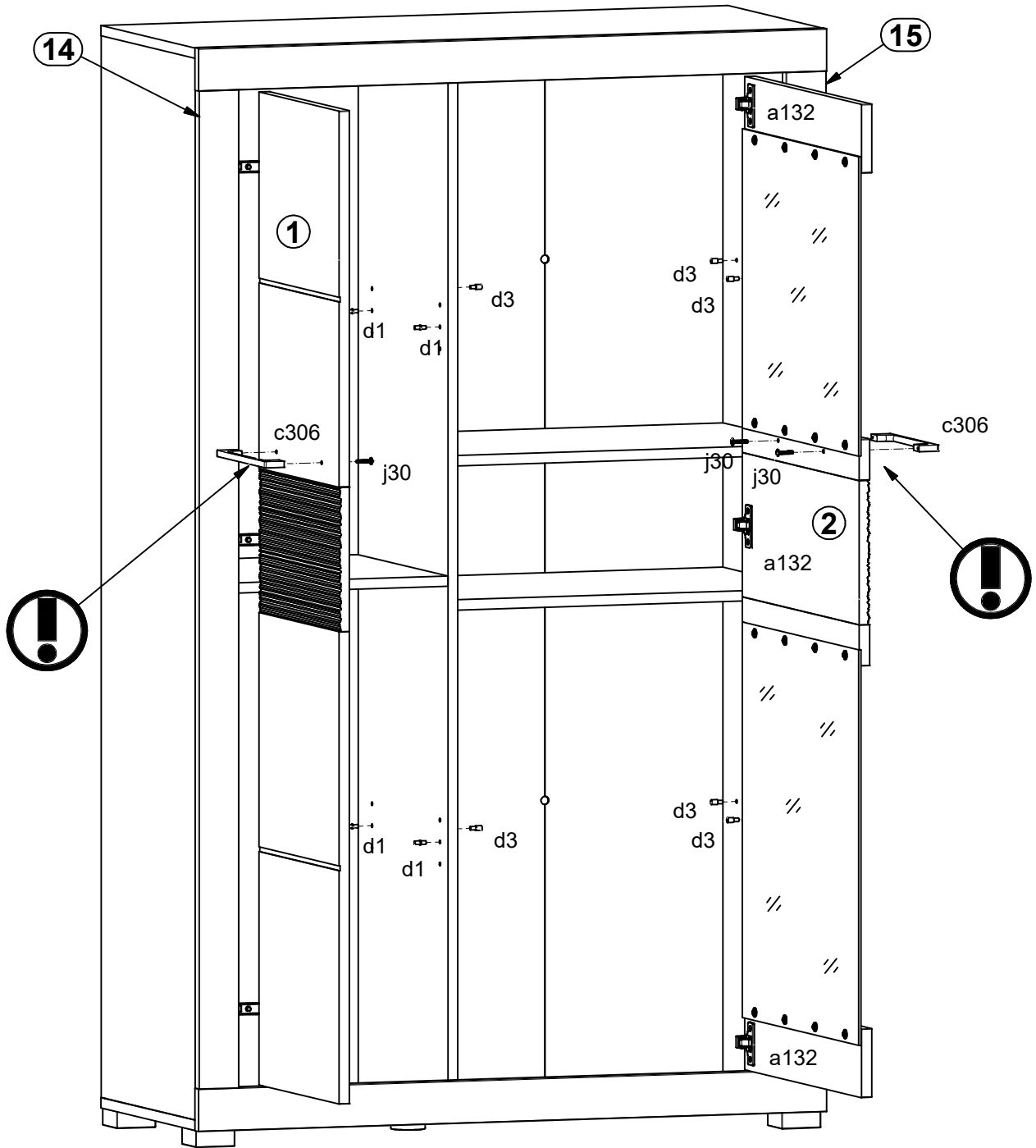
9



10



11



12

