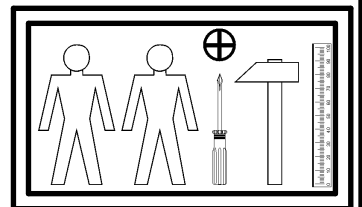
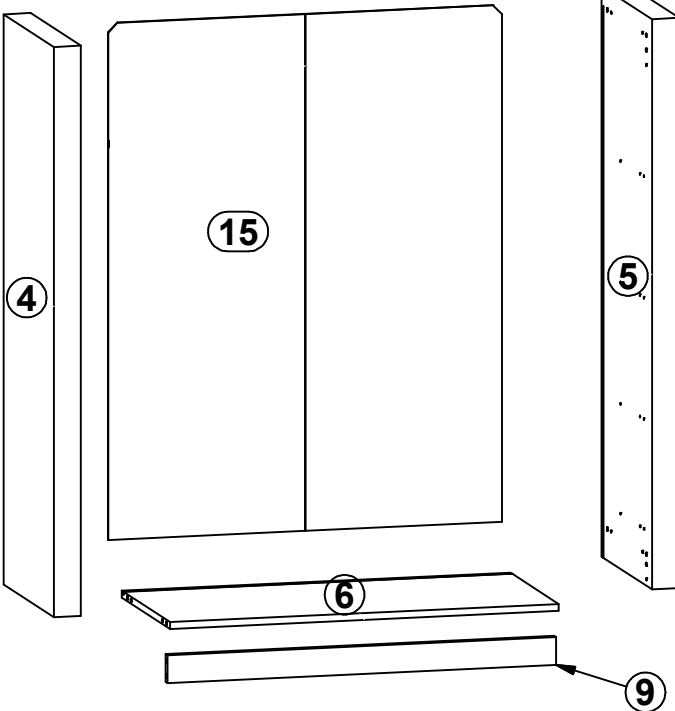
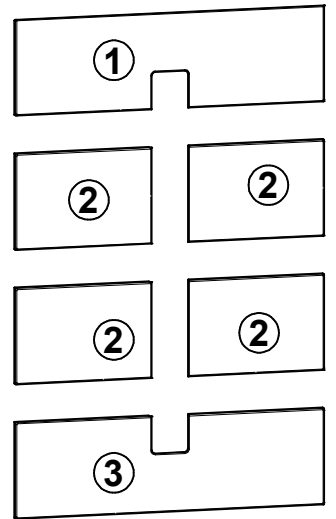
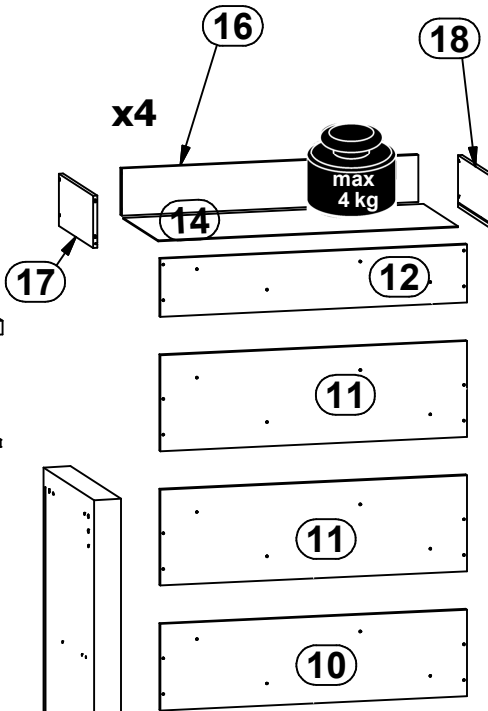
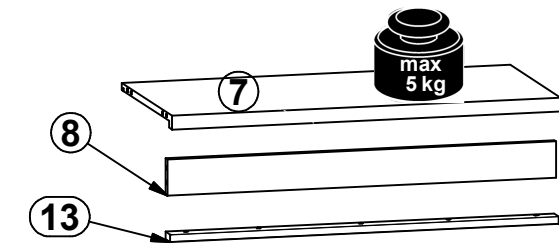
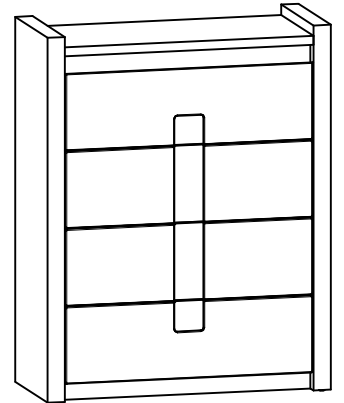
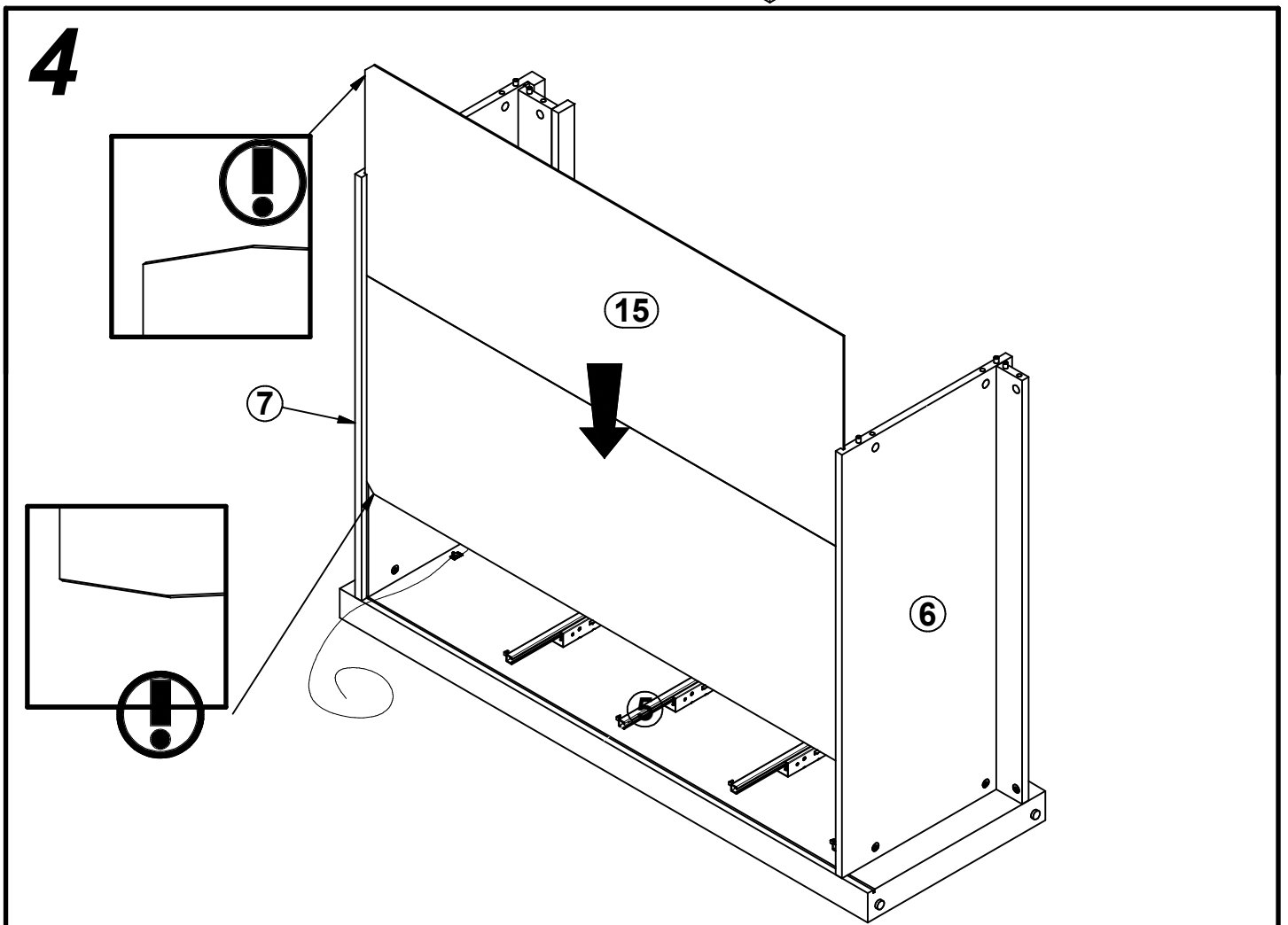
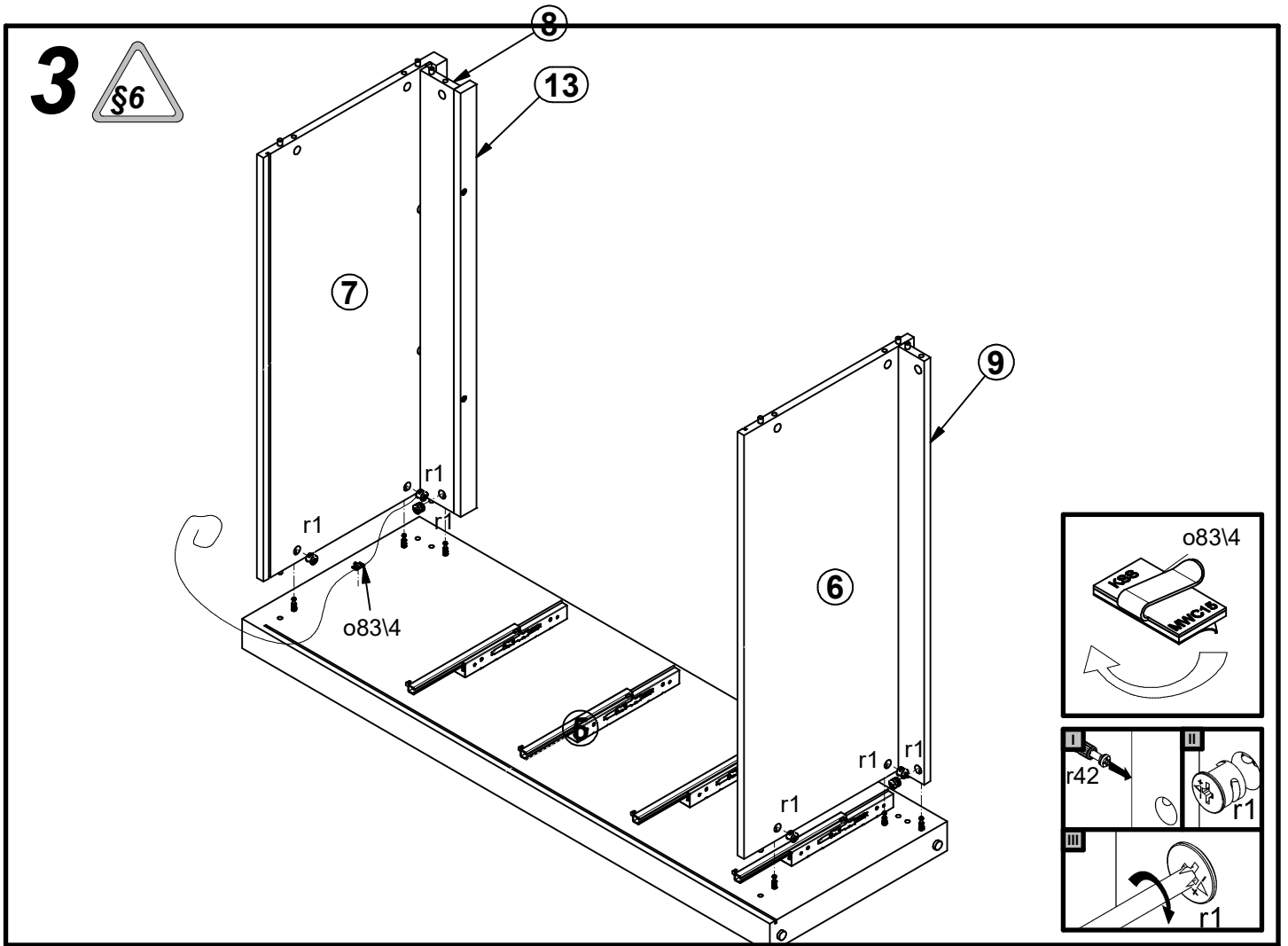


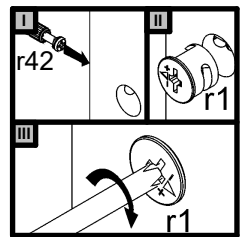
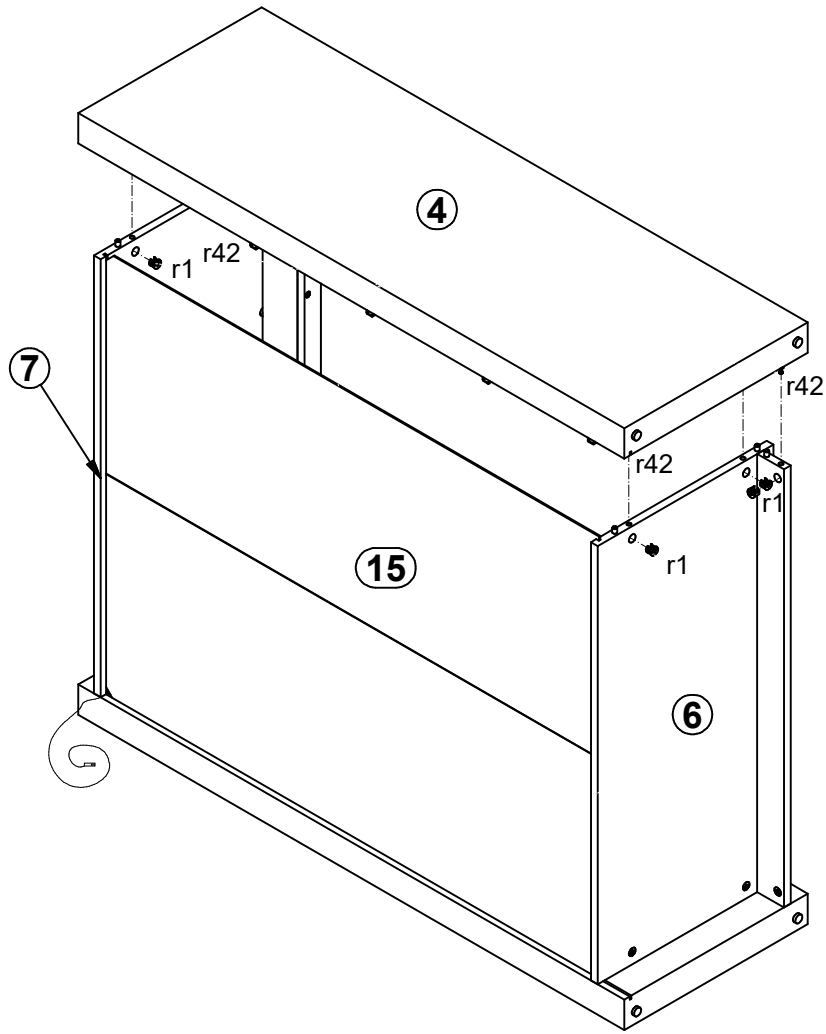
A	B	C	D	
1	S420-0014	846	258	2/2
2	S420-0016	373	258	2/2
3	S420-0017	846	258	2/2
4	S420-1019	1226	412	1/2
5	S420-1020	1226	412	1/2
6	S420-3014	852	395	1/2
7	S420-3015	852	411	1/2
8	S420-4022	852	78	2/2
9	S420-4024	852	60	2/2
10	S420-4025	840	233	2/2
11	S420-4026	840	258	2/2
12	S420-4027	840	156	2/2
13	S420-5001	852	37	2/2
14	S420-9010	822	355	2/2
15	S420-9305	1111	863	1/2
16	ZQ6-5027	812	127	2/2
17	ZQ6-511	350	140	2/2
18	ZQ6-512	350	140	2/2



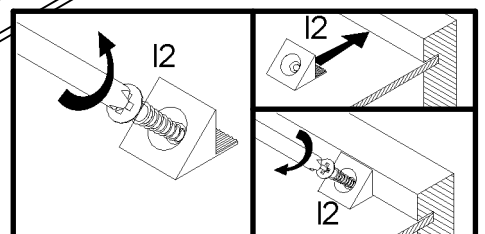
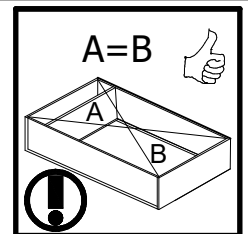
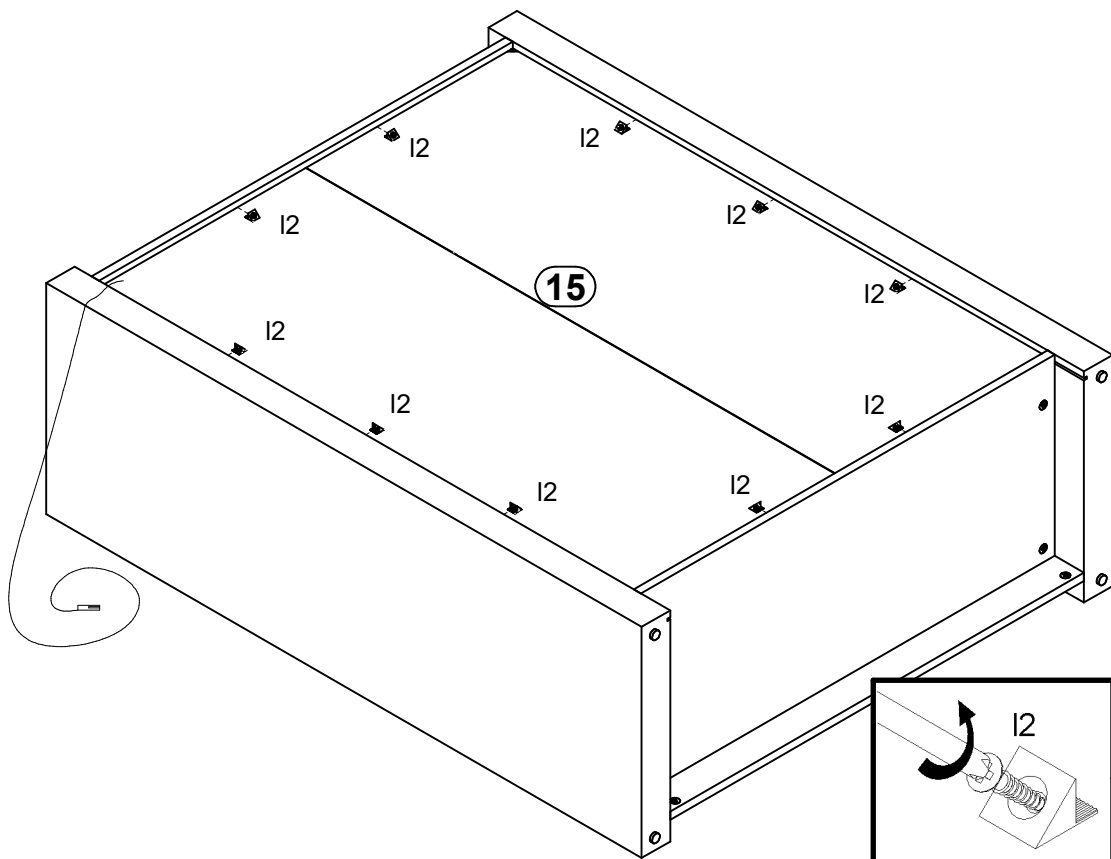
2x Ø7x50 mm e1	24x Ø6x13 mm e3	16x Ø8x30 mm f1	16x Ø6.5x40 mm f25	4x k1	10x l2	1x Ø70/9	1x 10x18 mm Ø83/4	1x L=848 mm Ø102/19
16x Ø4x25 mm p8	4x Ø3.5x16 mm p25	4x Ø3.5x10 mm p35	24x Ø3.5x16 mm p38	8x Ø2.9x16 mm p55	12x Ø15x12 mm #16 r1	16x Ø12x10.5 mm #12 r15	28x 20/11 r42	4x 350 mm t35
4x 350mm w167/P	4x 350mm w167/L	2x s1	1x 4 mm z1					
							1x n26	1x Ø3.5x16 mm p38

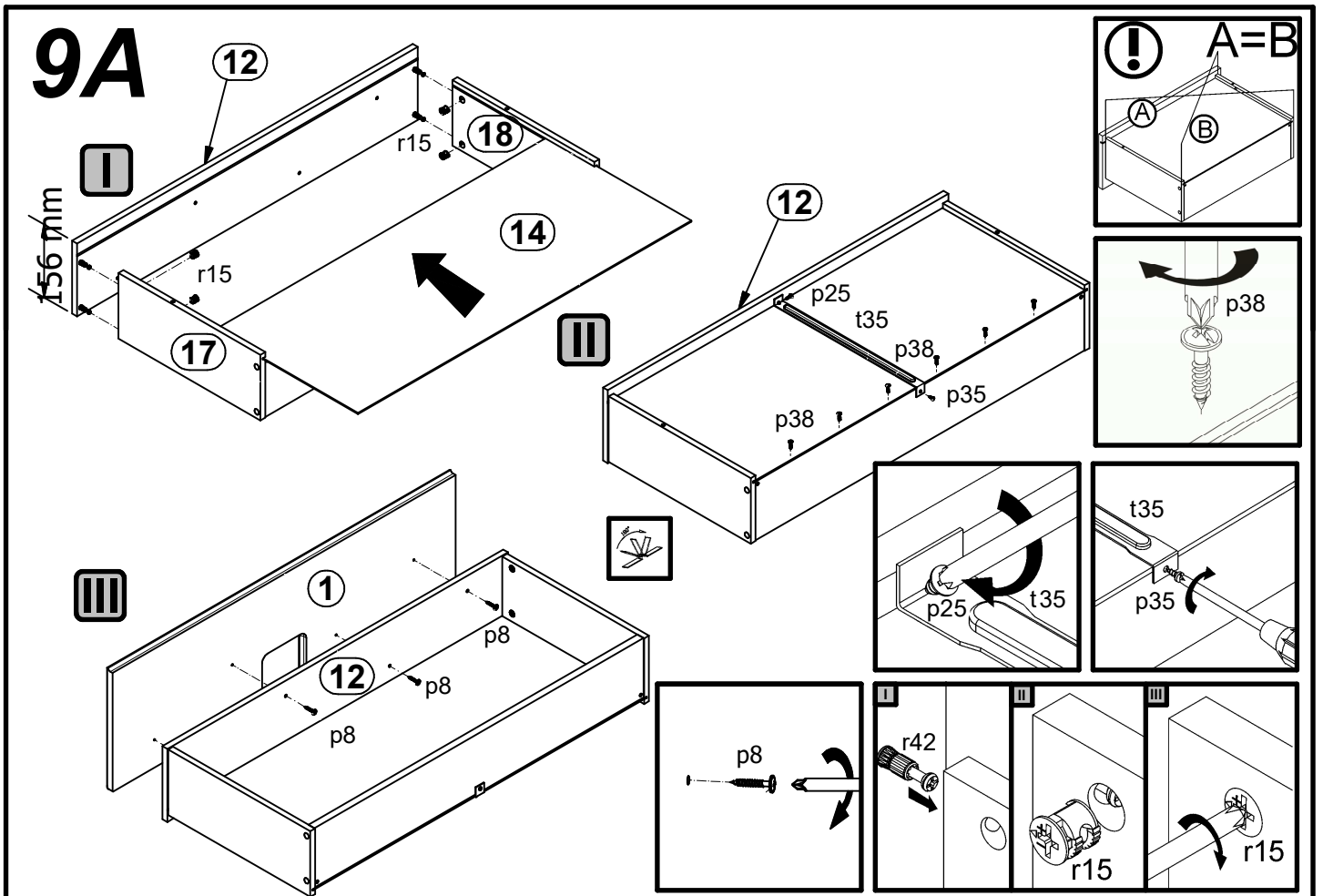
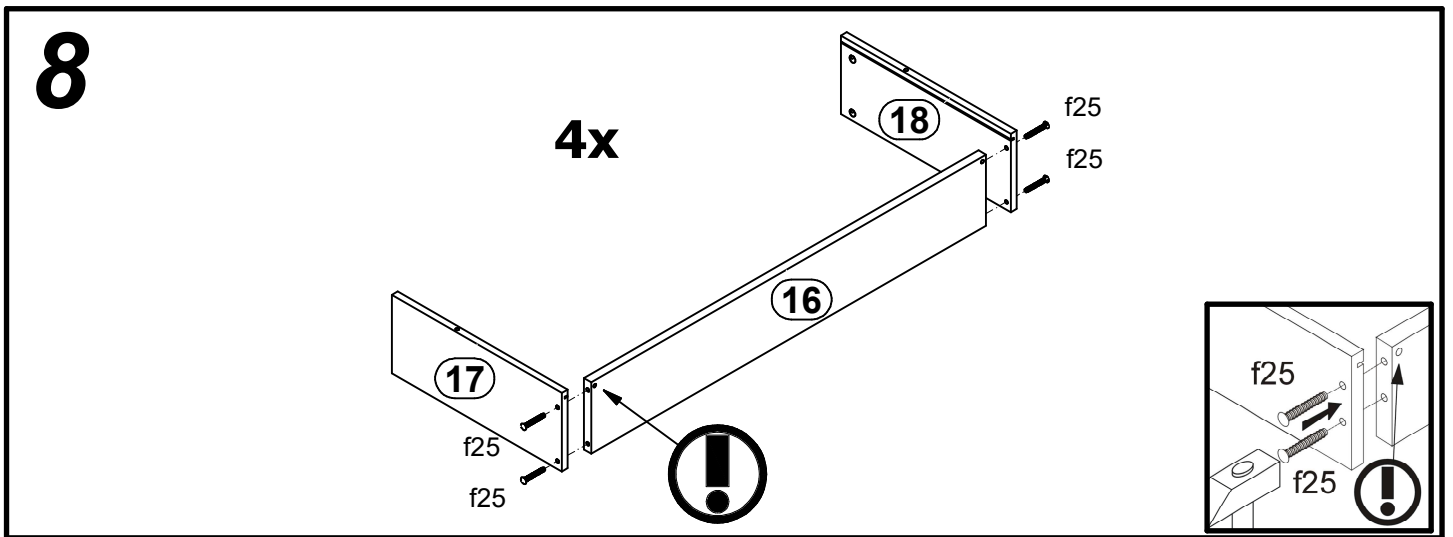
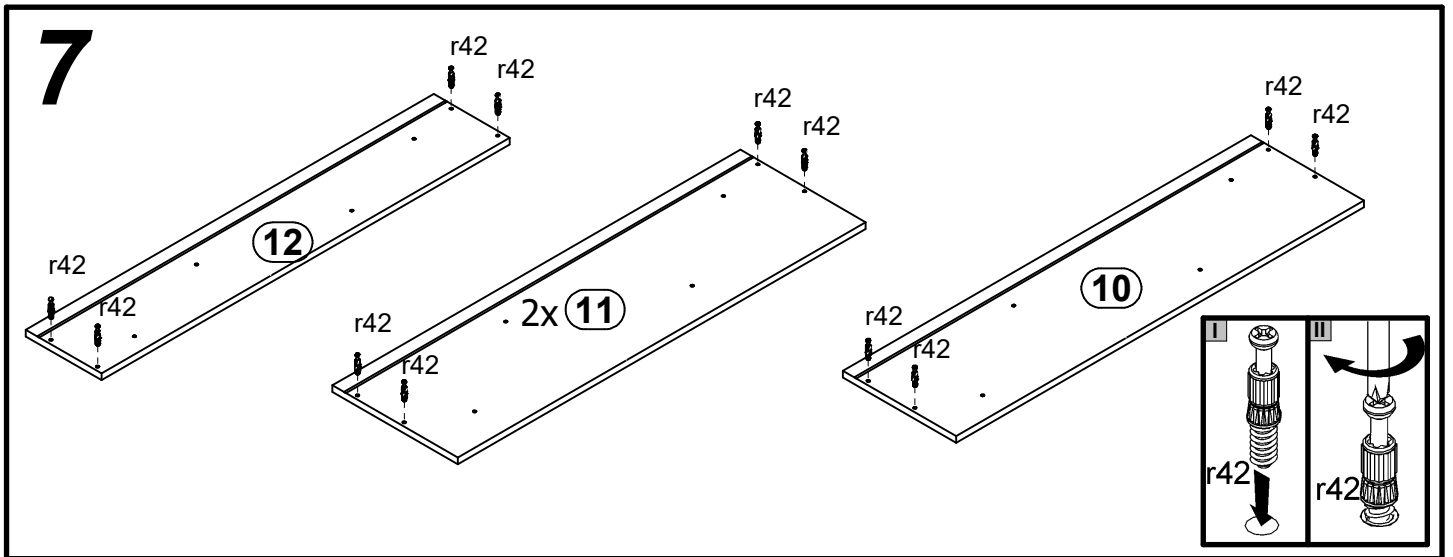


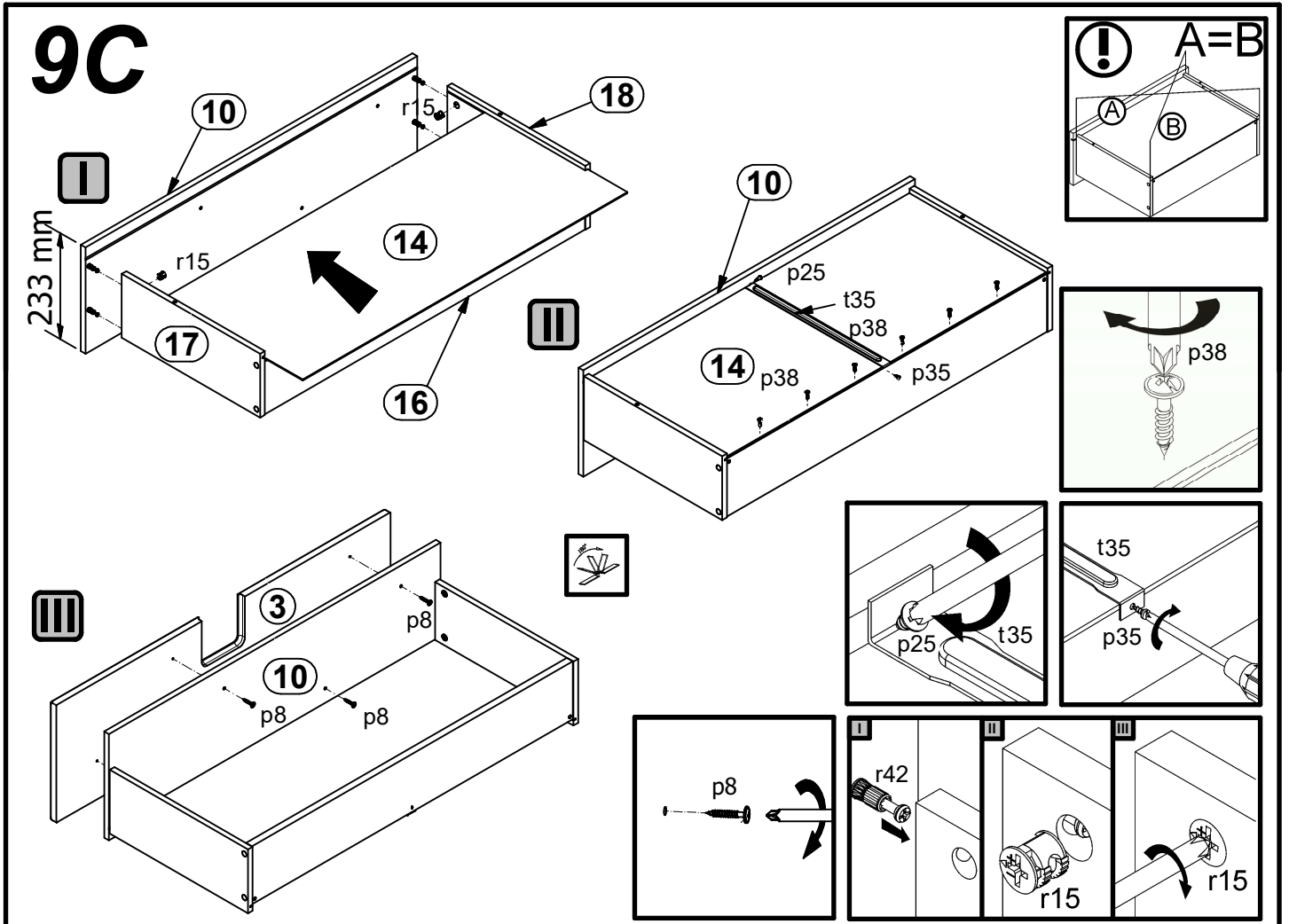
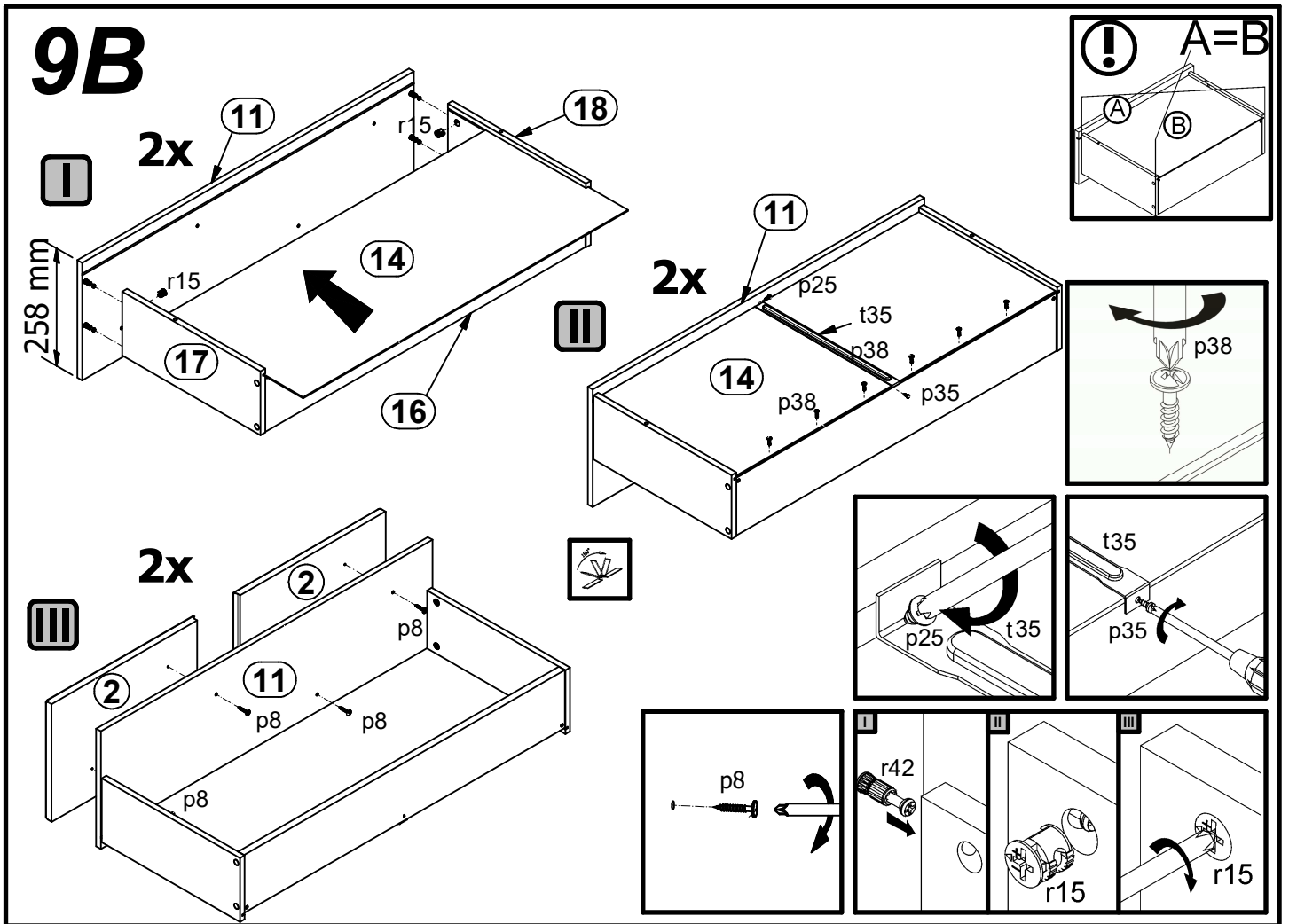
5



6







10

