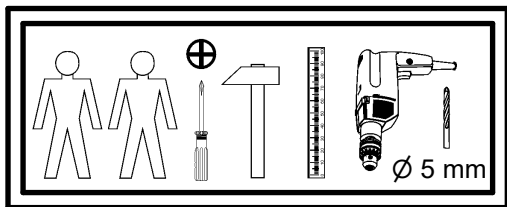
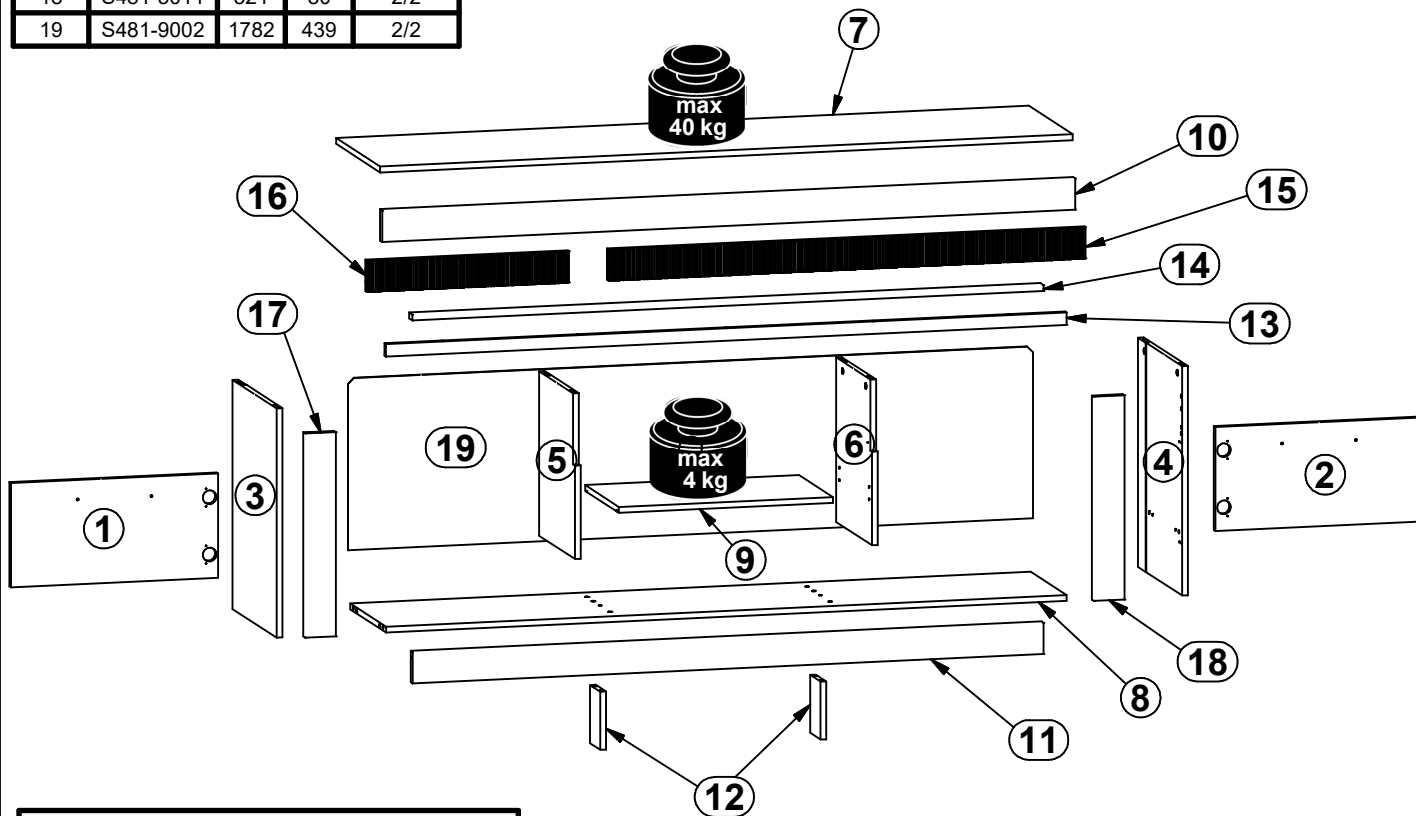
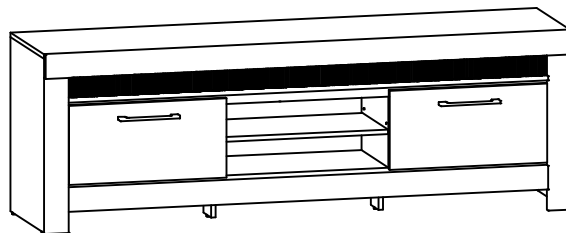
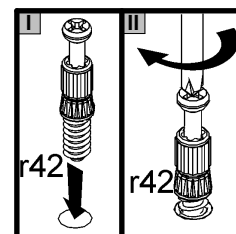
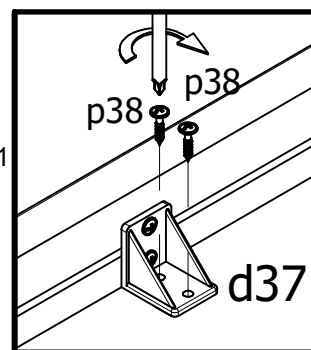
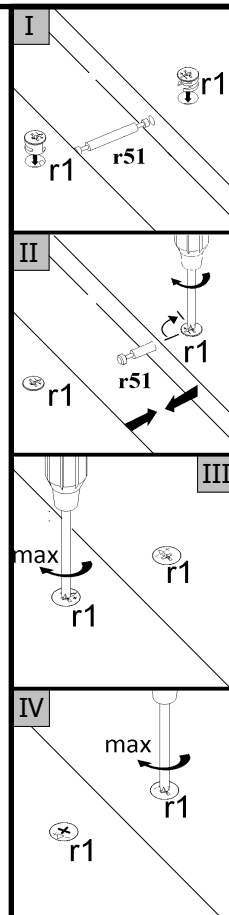
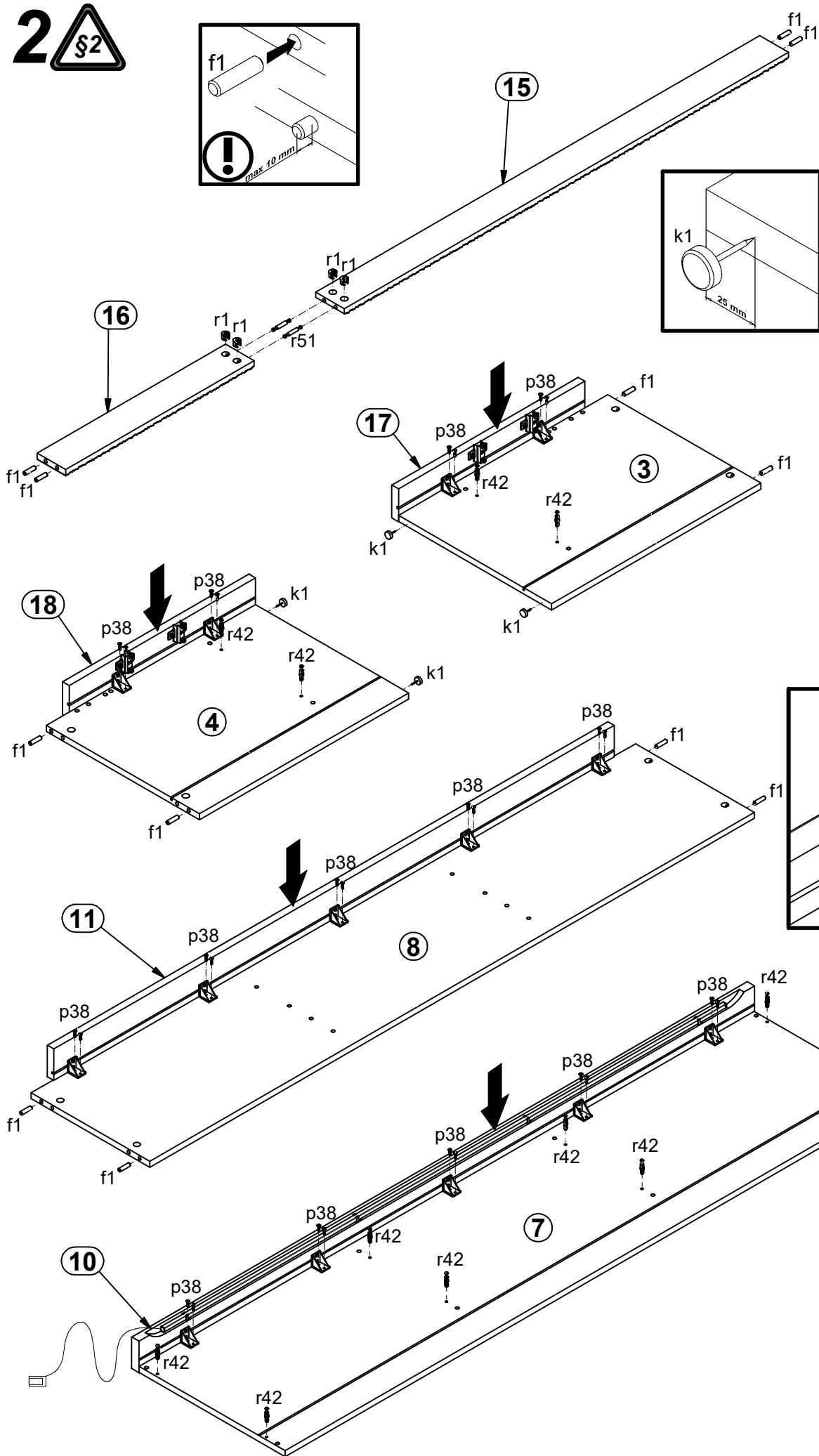
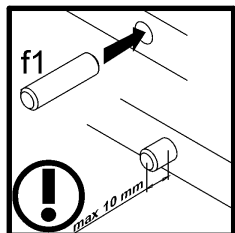


| A | B | C | D | |
|----|-----------|------|-----|-----|
| 1 | S481-0004 | 539 | 266 | 1/2 |
| 2 | S481-0005 | 539 | 266 | 1/2 |
| 3 | S481-1005 | 585 | 428 | 1/2 |
| 4 | S481-1006 | 585 | 428 | 1/2 |
| 5 | S481-1007 | 420 | 347 | 1/2 |
| 6 | S481-1008 | 420 | 347 | 1/2 |
| 7 | S481-2002 | 1802 | 428 | 2/2 |
| 8 | S481-3003 | 1771 | 348 | 2/2 |
| 9 | S481-3004 | 557 | 328 | 1/2 |
| 10 | S481-5001 | 1803 | 80 | 2/2 |
| 11 | S481-5004 | 1642 | 80 | 2/2 |
| 12 | S481-5005 | 148 | 100 | 1/2 |
| 13 | S481-5063 | 1771 | 32 | 2/2 |
| 14 | S481-5007 | 1642 | 32 | 2/2 |
| 15 | S481-5008 | 1242 | 80 | 2/2 |
| 16 | S481-5009 | 527 | 80 | 2/2 |
| 17 | S481-5010 | 521 | 80 | 2/2 |
| 18 | S481-5011 | 521 | 80 | 2/2 |
| 19 | S481-9002 | 1782 | 439 | 2/2 |

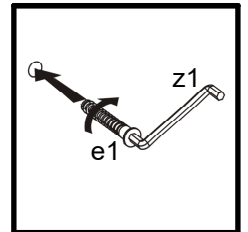
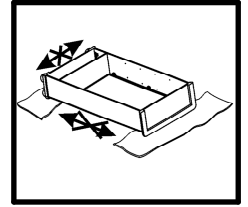
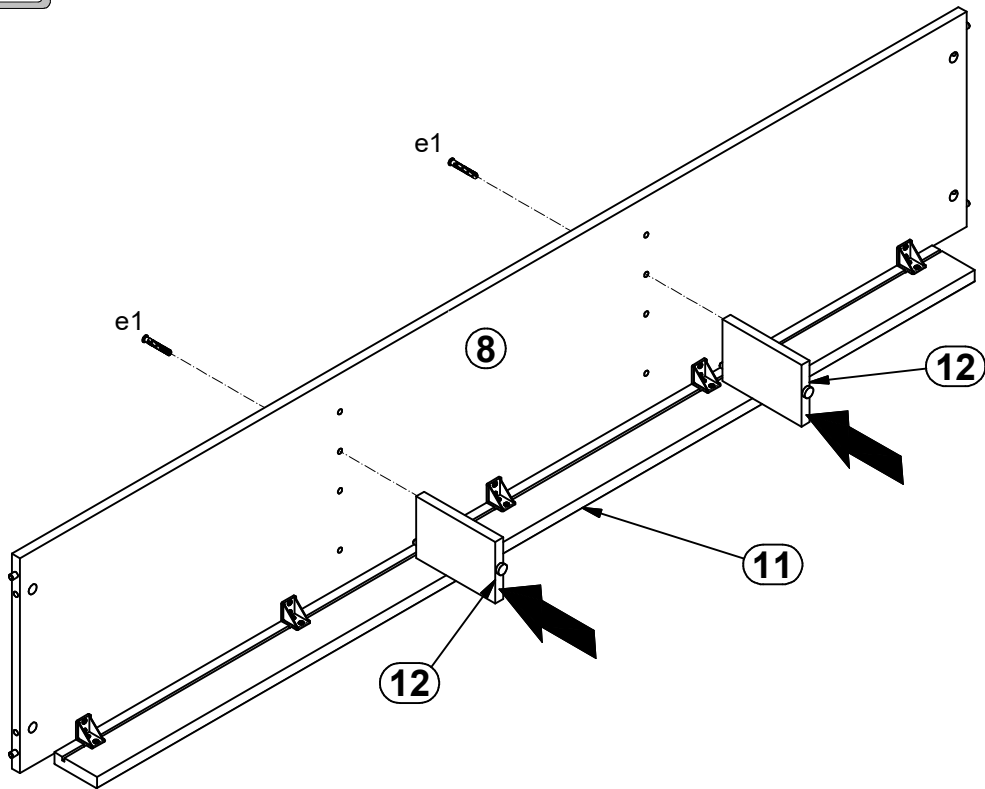


| | | | | | | | | |
|------------------------------|------------------------------|------------------------------|----------------------------------|--------------------------------|------------------------|---|-----------------------------|-----------------------------|
| 4x a132 | 2x a133 | 4x b43 | 2x 192 mm c306 | 4x Ø5x17 mm d1 | 14x d37 | 6x Ø7x50 mm e1 | 8x Ø6.3x13 mm e2 | 27x Ø8x30 mm f1 |
| 4x M4x22 mm j30 | 6x k1 | 5x l2 | 1x 38x22x10(2,5mm) n58 | 1x 1P 15W Ø70/10 n20 | 4x o77/16 | 1x 10x10 mm L=1645 mm o77/51 | 2x 10x18 mm o83/9 | 4x Ø2.5x13 mm p15 |
| 56x Ø3.5x16 mm p38 | 10x Ø3.5x15 mm p51 | 13x Ø2.9x16 mm p55 | 16x Ø15x12 mm #16 r1 | 12x 20/11 r42 | 2x 40 mm r51 | 8x Ø 20mm s68 | 1x 4 mm z1 | |
| | | | | | | | 1x n26 | 1x Ø3.5x16 mm p38 |

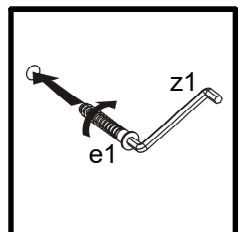
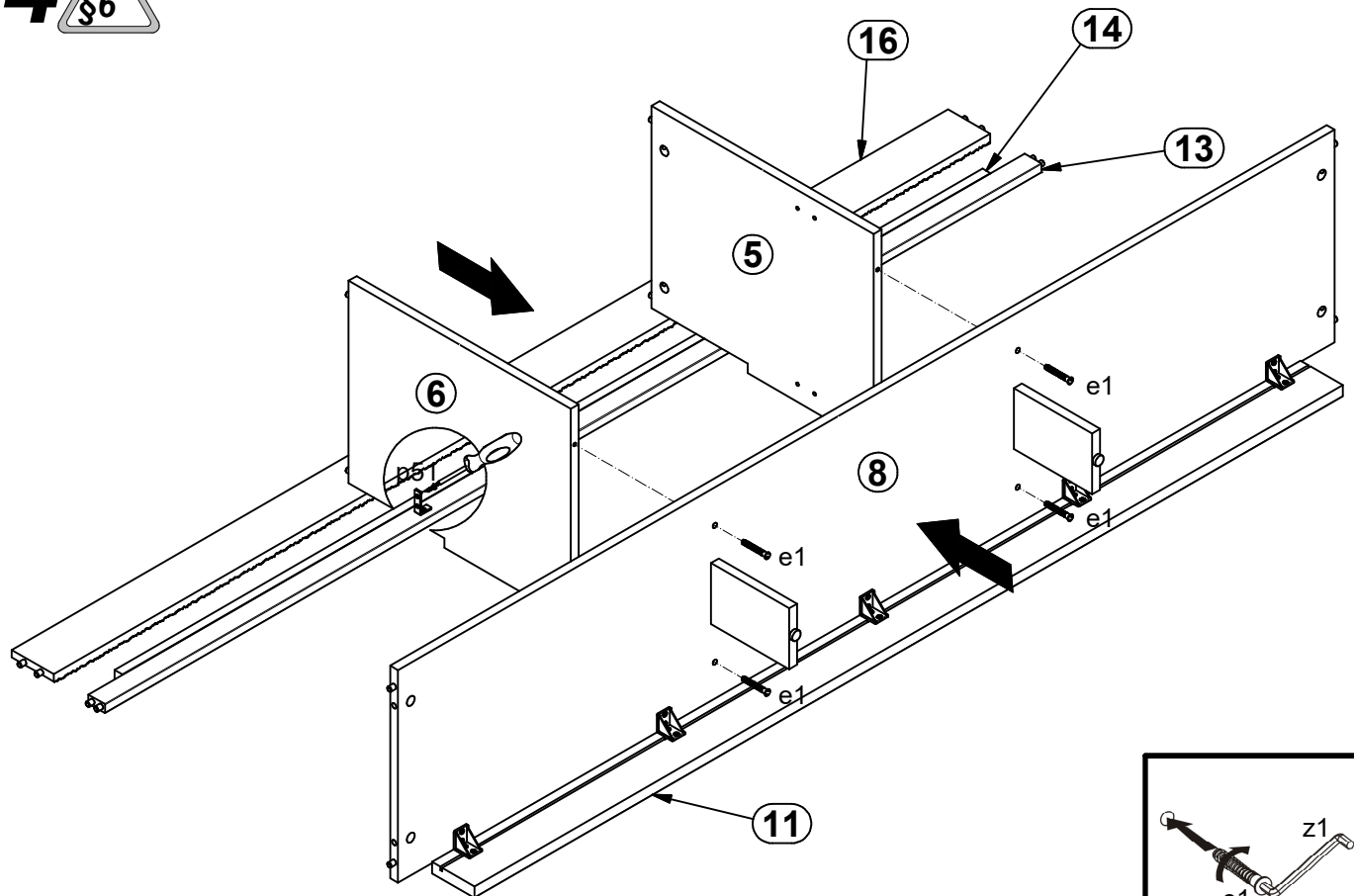
2 



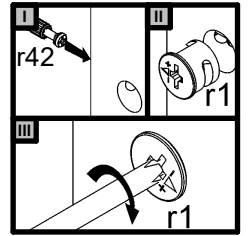
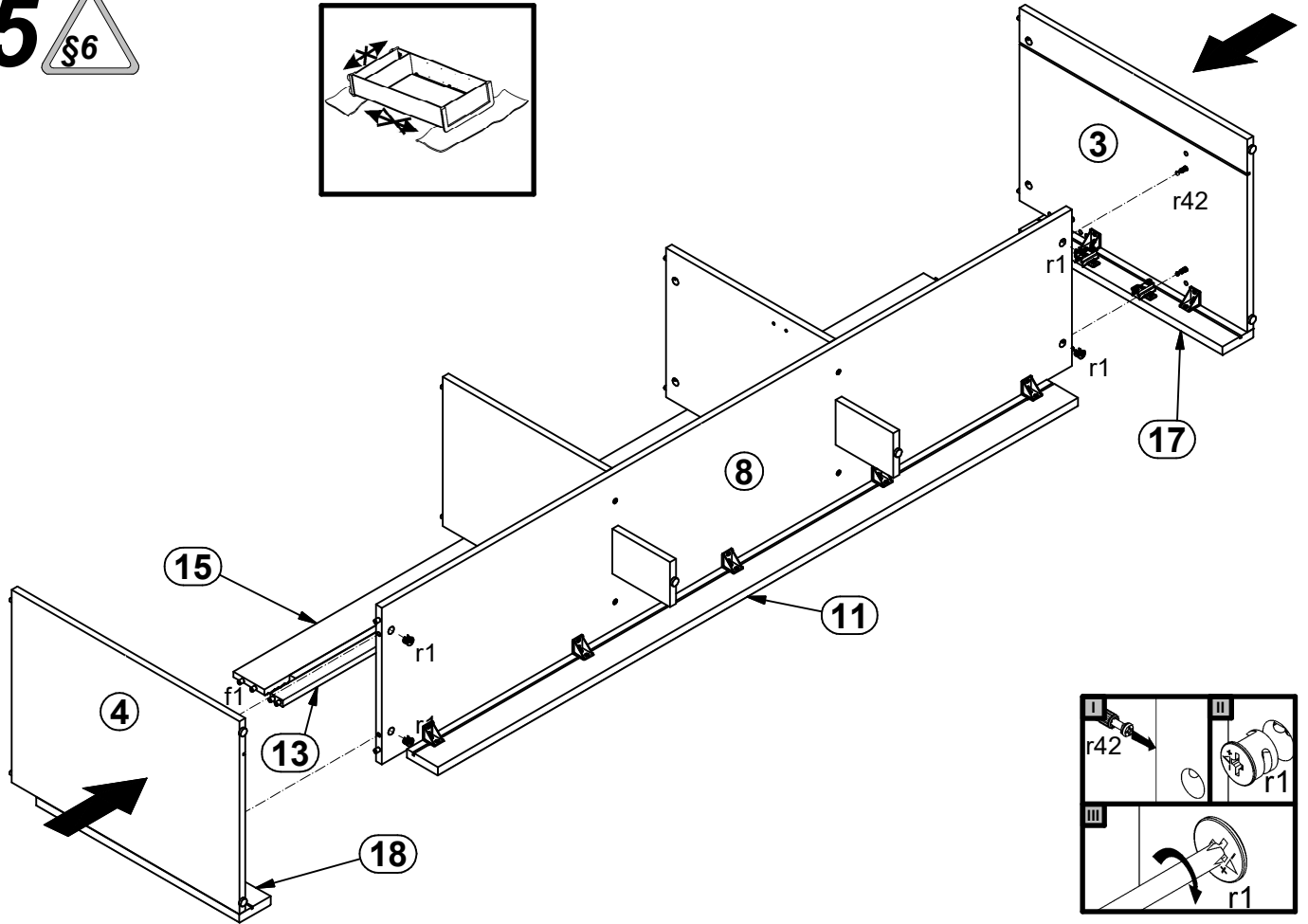
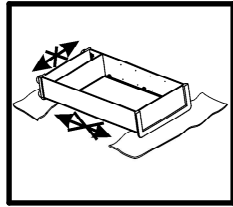
3 §6



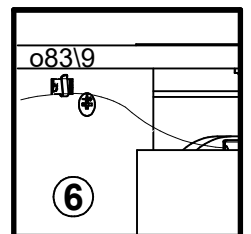
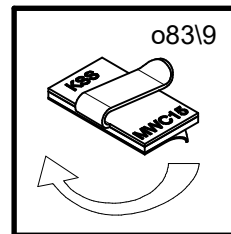
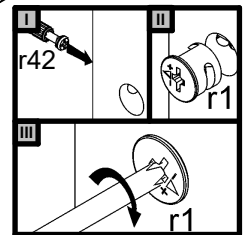
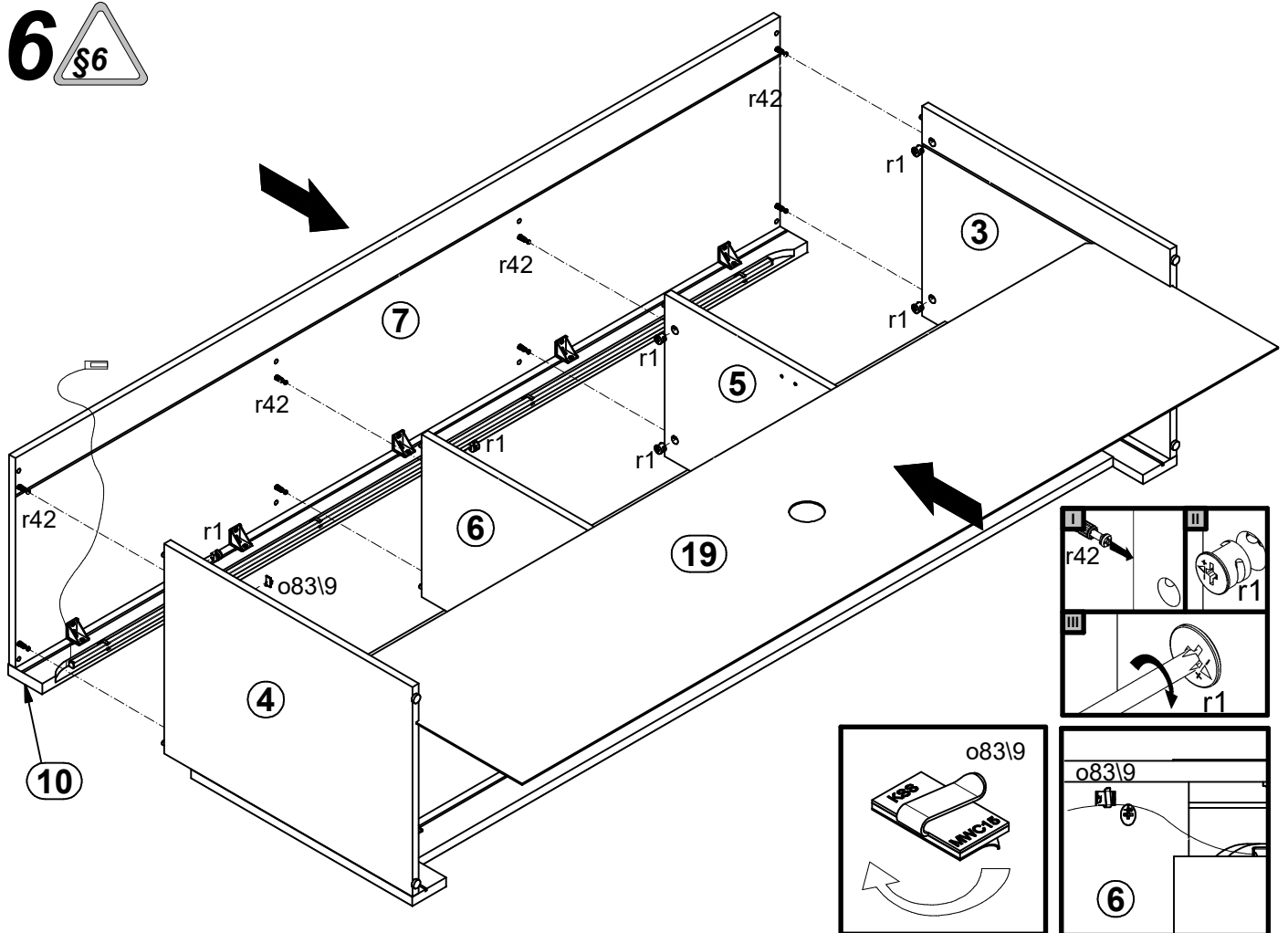
4 §6



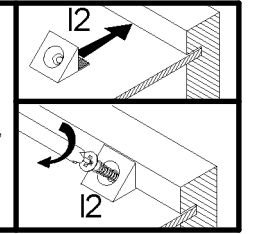
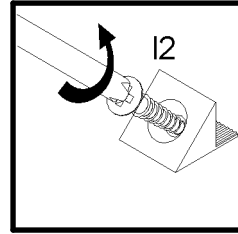
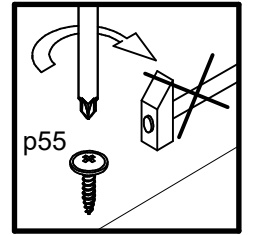
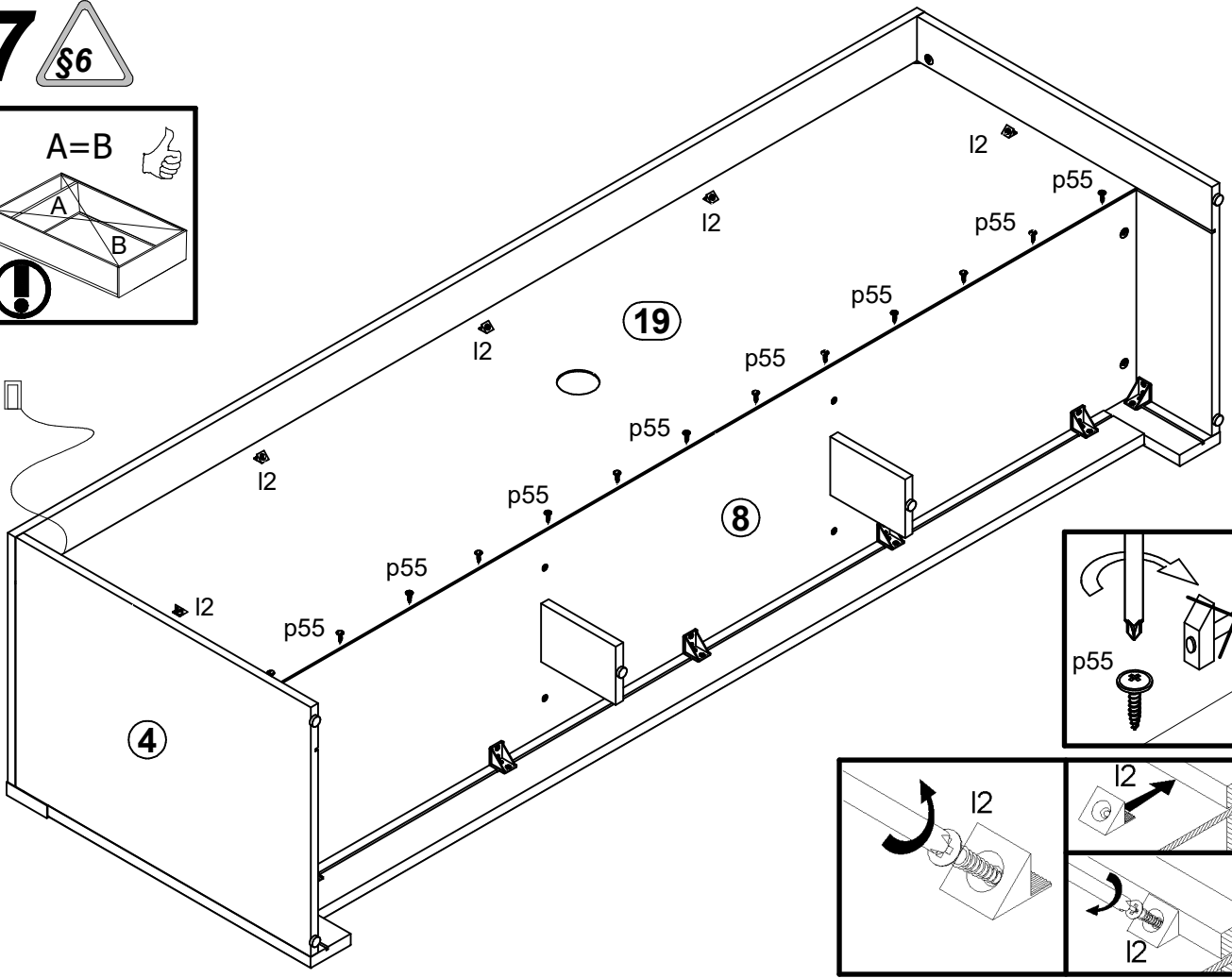
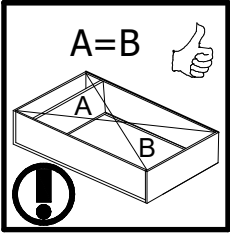
5 §6



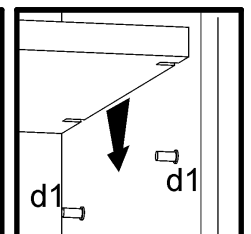
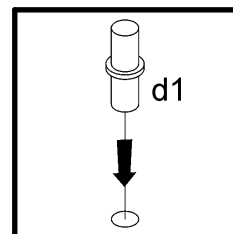
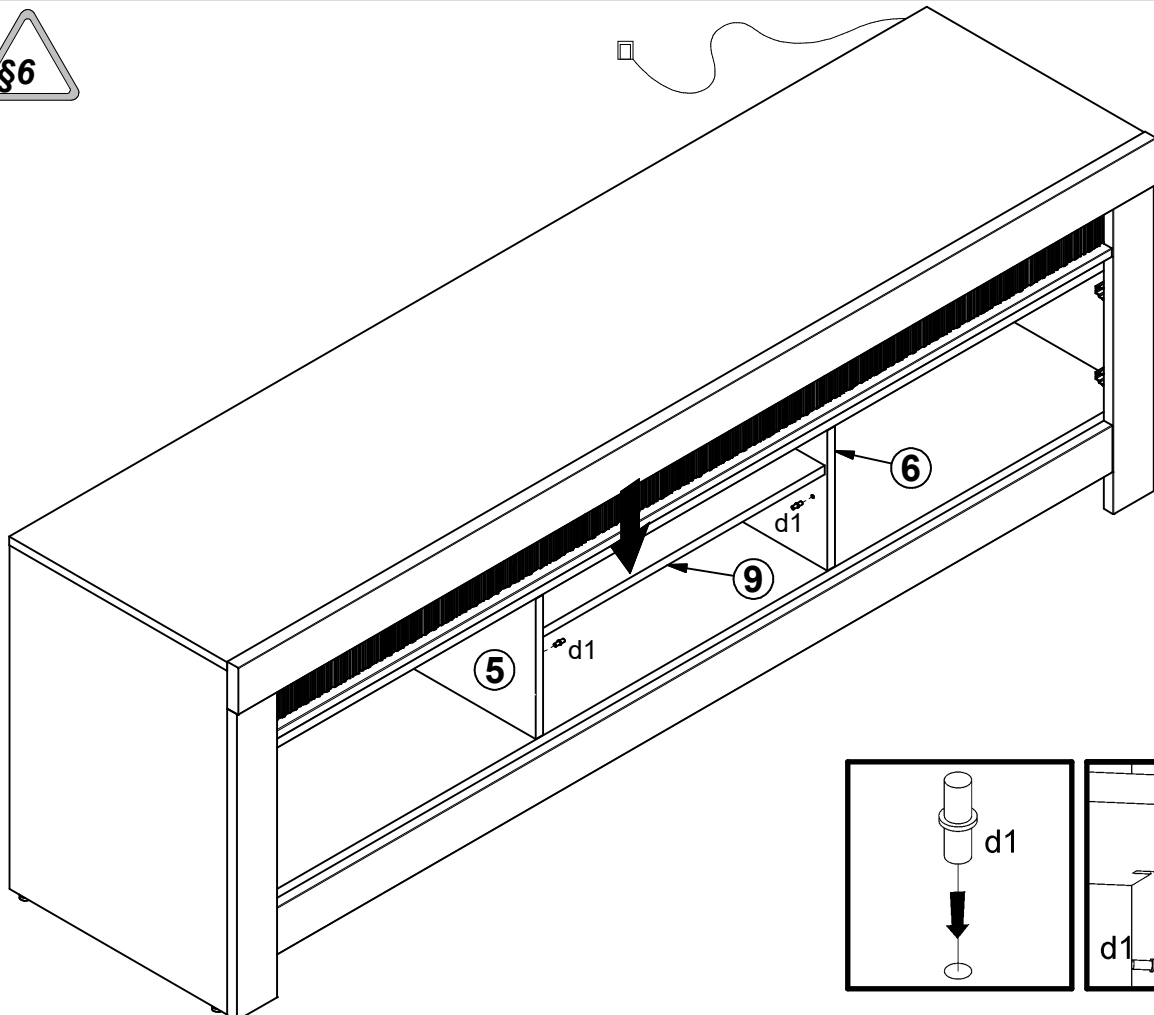
6 §6



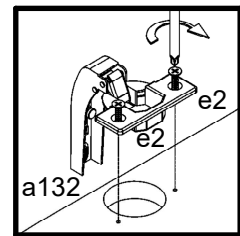
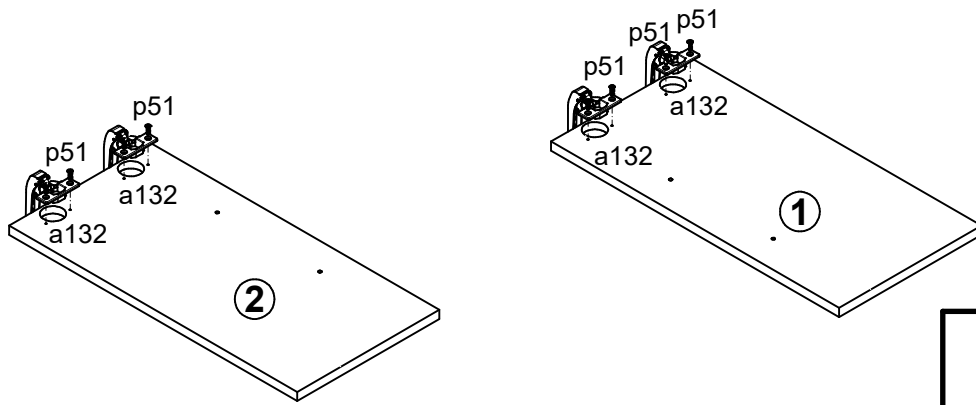
7 §6



8 §6



9



10

